

## Jeep JK 3 Link Front Axle Upper Control Arm Tower Installation Instructions

Thank you for purchasing our Jeep Wrangler JK Front Axle Upper Control Arm Tower!

### Installation Notes:

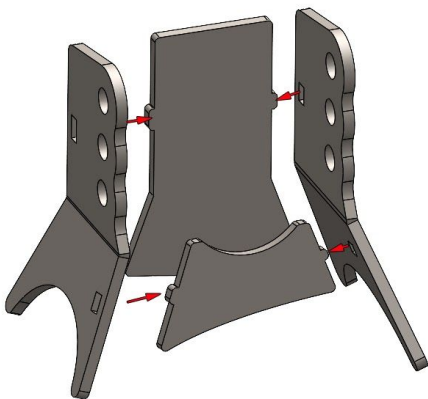
- This product is designed to fit a 2005-2016 Ford Super Duty Dana 60 front axle in a 2007-2018 Jeep Wrangler JK and JK unlimited
- This bracket is designed to be used with our Jeep JK 3 link suspension kit.

### Tools required:

- Welder with the capability to weld at least  $\frac{1}{4}$ " thick steel

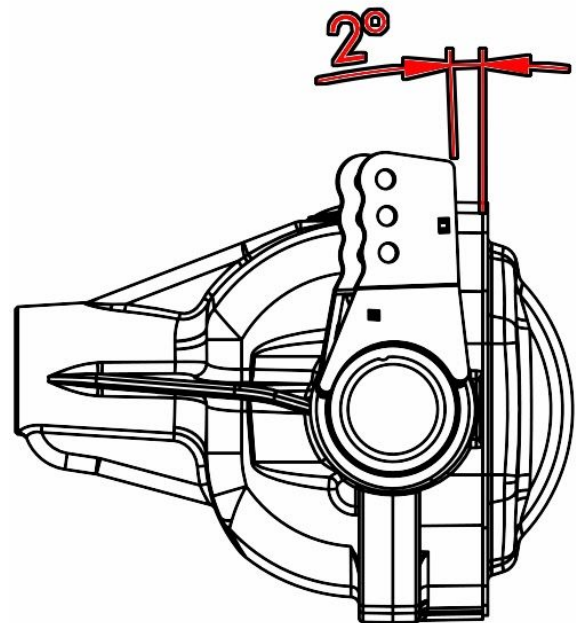
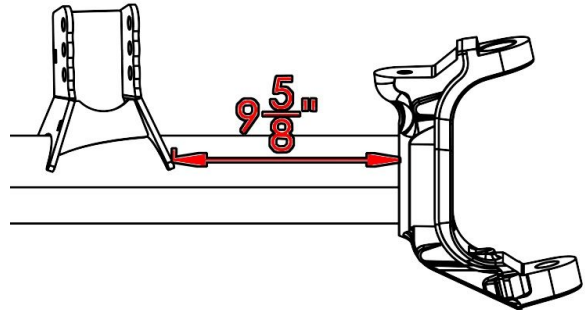
### Step 1:

Assemble the new bracket and weld all seams. The bracket has tabs that will install in slots on each piece, each tab and slot is sized so the bracket can only be assembled in the correct orientation. It is recommended to install a bolt and suspension joint in the bracket to keep the bolt holes aligned and the mounting width correct. However use care not to overheat the suspension joint while welding.



### Step 3:

Place the bracket on top of the right side axle tube. The bracket will need to be located  $9\frac{5}{8}$ " from the side of the inner C to the bottom corner of the bracket, and rotated back  $2^\circ$  from the mounting face of the differential cover. After the bracket is properly placed tack weld in place.



### Step 4:

Reassemble the suspension on the Jeep, and fully cycle to verify clearance to all other components. After clearance has been verified fully weld the bracket in place.

## Step 5:

Apply paint or other coating to all bare metal surfaces to protect against corrosion.

Congratulations you have completed the installation of this product!

Professional Services Disclaimer: The content of all pages of this website (collectively, the "Website"), such as text, graphics, images, information and other material (collectively, "Content") is for informational purposes only. Any information furnished on this Website is not intended nor implied to be automotive advice and is not intended to replace personal consultation with a qualified automotive service technician, mechanic, or similar automotive professional. Barnes 4WD has not examined the Content for accuracy, timeliness, completeness, appropriateness, or helpfulness. Barnes 4WD does not endorse any specific tests, products, procedures, opinions, or other information that may be mentioned on this Website. Your reliance upon information and Content obtained by you at or through this Website is solely at your own risk. IN NO EVENT SHALL BARNES 4WD BE LIABLE OR OTHERWISE RESPONSIBLE FOR ANY DAMAGE OR INJURY (INCLUDING DEATH) TO YOU, OTHER PERSONS, OR PROPERTY ARISING FROM ANY USE OF ANY PRODUCT, INFORMATION, IDEA, OR INSTRUCTION CONTAINED IN THE CONTENT. BARNES 4WD DOES NOT MAKE ANY REPRESENTATION OR WARRANTY, EXPRESS OR IMPLIED, AT LAW OR IN EQUITY, WITH RESPECT TO ANY PRODUCT FEATURED ON THE WEBSITE, INCLUDING WITHOUT LIMITATION WITH RESPECT TO MERCHANTABILITY, FITNESS FOR ANY PARTICULAR PURPOSE, VALUE, VALIDITY, OR ENFORCEABILITY, AND ANY AND ALL SUCH OTHER REPRESENTATIONS OR WARRANTIES ARE HEREBY EXPRESSLY DISCLAIMED.