



JT Bed Stand Up Tire Carrier Installation Instructions

Thank you for purchasing our JT Bed Stand Up Tire Carrier!

Installation Notes:

- **All Hardware is stainless steel to prevent corrosion. Hardware will need installed by hand with antiseize to prevent galling.**
- This tire mount is designed to fit on a 2020-Current Jeep Gladiator JT with the Mopar Trail Rail System installed part #82215956.
- This tire mount is designed to fit the factory lug pattern of 5 on 5" with a 14mm lug stud.
- The tire mount will work with a 31.5" - 40" tall tire.
- The tire mount will work with a wheel and tire combination back spacing measured from the wheel mounting surface to the outside of the tire of 5" - 8.5".

Tools required:

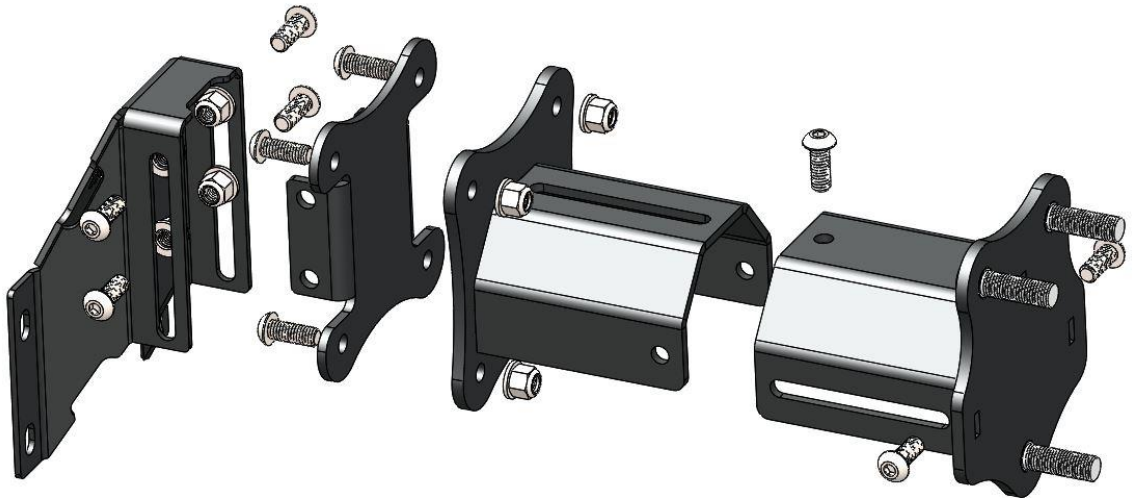
- 9/16" Wrench
- Ratchet
- 7/32" Allen Socket
- 19mm Socket
- Antiseize

Contents of each box

Bill Of Materials For B4WK12694D		
QTY	Part Number	Description
1	B4W125111P	JT Bed Tire Mount Standoff Plate Powder Coated
1	B4W188861P	JT Stand up Tire mount slide flange Powder Coated
1	B4W125067WP	JT Stand Up Tire Mount Main Welded and Powder Coated
1	B4WK12691P	JT Tire Mount Slide Inner Weldment Powder Coated
1	B4WK12692P	JT Tire Mount Slide Outer Weldment powder coated
4	CHANNELNUT0375Z	Channel Nut 3/8-16
11	37CNNES	3/8-16 Stainless Nylock
15	37NWUSS	3/8" USS Flat Washer SS
15	37C100KBCS	3/8"-16 x 1" Button Head Socket Cap Screw Stainless
3	KSPM14X1.5	M14-1.5 Open End Lug Nut

Step 1:

Assemble the tire mounting bracket as shown below with the supplied hardware leave loose all the hardware in slotted holes. Antiseize needs to be applied to all hardware.



Step 2:

Park the Jeep on a level surface and install the tire mount standoff plate to the trail rail as show below leave mount loose until last step.



Step 3:

Install the tire mount to the trail rail as shown below. If you are running a up to a 35" you will need to install the mount in the upper mounting holes. If you are running above a 35" you will need to install the mount in the lower holes. Leave mount loose until last step.



Step 4:

Install the spare tire to the mount as shown below with the supplied lug nuts.



Step 5:

Push the tire against the tire standoff plate and the bed as shown below.



Step 6:

Tighten all the hardware left loose in the previous steps.

Congratulations! You Have finished the installation of the Barnes4wd JT Bed Stand Up Tire Mount!

Professional Services Disclaimer:

The content of all pages of this website (collectively, the "Website"), such as text, graphics, images, information and other material (collectively, "Content") is for informational purposes only. Any information furnished on this Website is not intended nor implied to be automotive advice and is not intended to replace personal consultation with a qualified automotive service technician, mechanic, or similar automotive professional.

Barnes 4WD has not examined the Content for accuracy, timeliness, completeness, appropriateness, or helpfulness. Barnes 4WD does not endorse any specific tests, products, procedures, opinions, or other information that may be mentioned on this Website. Your reliance upon information and Content obtained by you at or through this Website is solely at your own risk. IN NO EVENT SHALL BARNES 4WD BE LIABLE OR OTHERWISE RESPONSIBLE FOR ANY DAMAGE OR INJURY (INCLUDING DEATH) TO YOU, OTHER PERSONS, OR PROPERTY ARISING FROM ANY USE OF ANY PRODUCT, INFORMATION, IDEA, OR INSTRUCTION CONTAINED IN THE CONTENT.

BARNES 4WD DOES NOT MAKE ANY REPRESENTATION OR WARRANTY, EXPRESS OR IMPLIED, AT LAW OR IN EQUITY, WITH RESPECT TO ANY PRODUCT FEATURED ON THE WEBSITE, INCLUDING WITHOUT LIMITATION WITH RESPECT TO MERCHANTABILITY, FITNESS FOR ANY PARTICULAR PURPOSE, VALUE, VALIDITY, OR ENFORCEABILITY, AND ANY AND ALL SUCH OTHER REPRESENTATIONS OR WARRANTIES ARE HEREBY EXPRESSLY DISCLAIMED.