



JT Rear Frame Sway Bar Brackets Installation Instructions

Thank you for purchasing our JT Rear Frame Sway Bar Brackets!

Installation Notes:

- This product is designed to fit a 2020-Current Jeep Gladiator JT
- Removal of the factory brackets is required for installation.
- Refer to your factory service manual for removal of any factory components

Tools required:

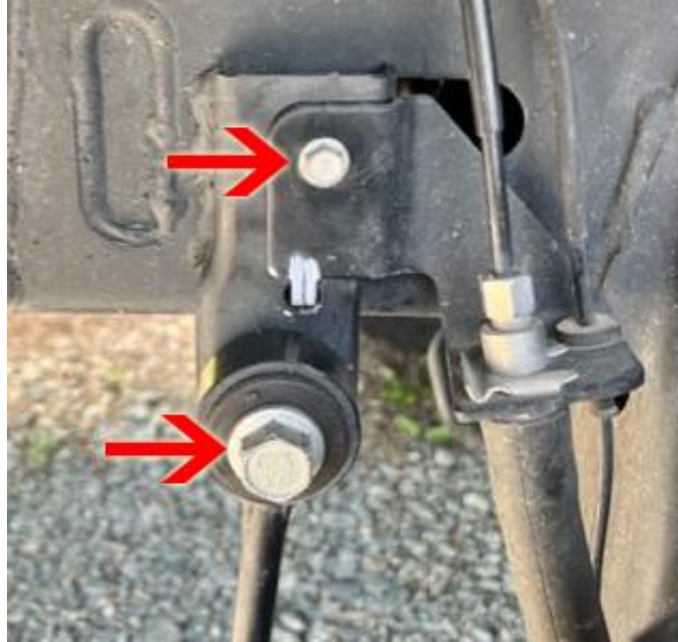
- Welder capable of at least ¼" steel
- Proper cutting tool (Grinder, Plasma Cutter, Torch)
- Ratchet
- 10MM Socket
- 18MM Socket
- 19MM Socket
- 19MM Wrench
- Tape Measure

Contents of box

Bill Of Materials For B4WK12697			
QTY	Part Number	Etch Number	Description
1	B4WK12695	973 B	JT Rear Sway Bar Mount Assembly Passenger
1	B4WK12696	974 B	JT Rear Sway Bar Mount Assembly Driver
2	.120CNNEOZ/985	NA	M12-1.75 Nylon Insert Lock Nut
2	.120C550HCS1Z/931	NA	M12-1.75X55 Hex Bolt 10.9
4	.120NWSF0Z/HV200	NA	M12 Flat Washer 10.9

Step 1:

Park the Jeep on a level surface and remove the rear sway bar bolt and the bolt holding the brake line to the sway bar bracket.



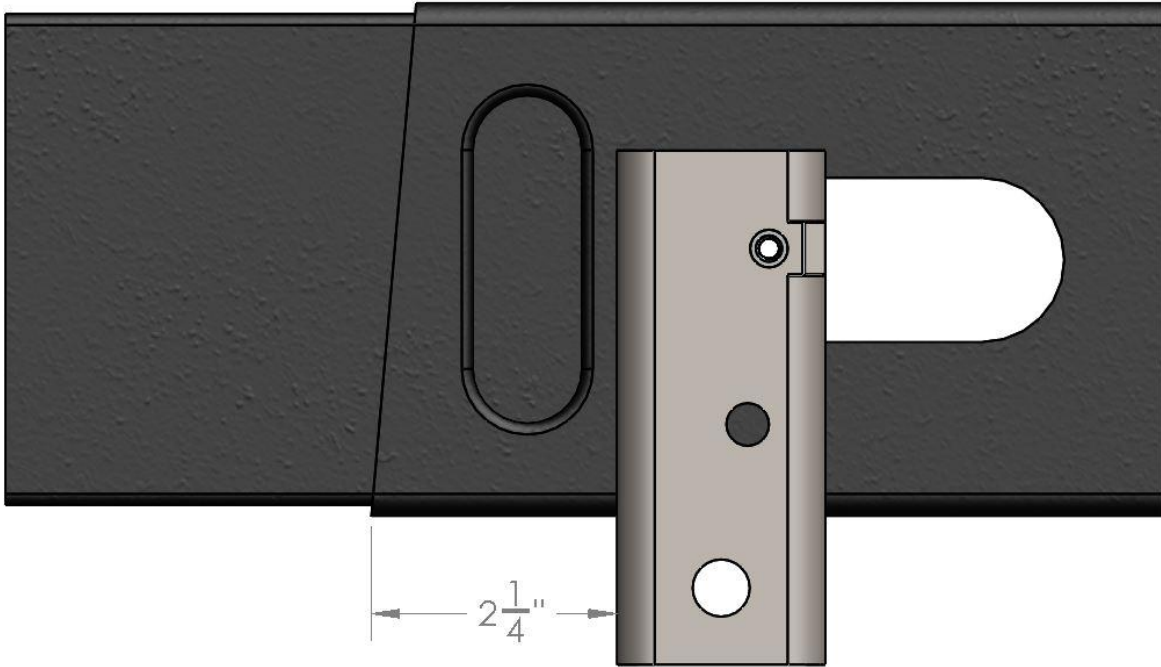
Step 2:

Using the proper cutting tool cut the sway bar bracket off the frame.



Step 3:

Weld the new Barnes 4WD Sway Bar Bracket to the frame. The bracket should be $2\frac{1}{4}$ " from the seam in the frame as shown below.



Step 4:

Reinstall the bolt holding the brake line to the new sway bar bracket.

Step 5:

Install the sway bar to the new bracket using the supplied hardware and torque to 100 ft pounds.

Step 6:

Repeat steps 1 through 5 on the opposite side of the Jeep.

**Congratulations! You Have finished the installation of the Barnes4wd
JT Rear Frame Sway Bar Brackets**

Professional Services Disclaimer:

The content of all pages of this website (collectively, the "Website"), such as text, graphics, images, information and other material (collectively, "Content") is for informational purposes only. Any information furnished on this Website is not intended nor implied to be automotive advice and is not intended to replace personal consultation with a qualified automotive service technician, mechanic, or similar automotive professional.

Barnes 4WD has not examined the Content for accuracy, timeliness, completeness, appropriateness, or helpfulness. Barnes 4WD does not endorse any specific tests, products, procedures, opinions, or other information that may be mentioned on this Website. Your reliance upon information and Content obtained by you at or through this Website is solely at your own risk. IN NO EVENT SHALL BARNES 4WD BE LIABLE OR OTHERWISE RESPONSIBLE FOR ANY DAMAGE OR INJURY (INCLUDING DEATH) TO YOU, OTHER PERSONS, OR PROPERTY ARISING FROM ANY USE OF ANY PRODUCT, INFORMATION, IDEA, OR INSTRUCTION CONTAINED IN THE CONTENT.

BARNES 4WD DOES NOT MAKE ANY REPRESENTATION OR WARRANTY, EXPRESS OR IMPLIED, AT LAW OR IN EQUITY, WITH RESPECT TO ANY PRODUCT FEATURED ON THE WEBSITE, INCLUDING WITHOUT LIMITATION WITH RESPECT TO MERCHANTABILITY, FITNESS FOR ANY PARTICULAR PURPOSE, VALUE, VALIDITY, OR ENFORCEABILITY, AND ANY AND ALL SUCH OTHER REPRESENTATIONS OR WARRANTIES ARE HEREBY EXPRESSLY DISCLAIMED.