

2018-Present Jeep JL Rubicon OEM Steel Bumper Winch Adapter
Installation Instructions

Thank you for purchasing our Jeep JL Winch adapter plate!

Installation Notes:

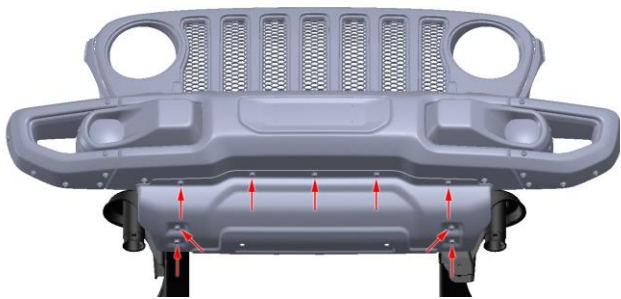
- This winch adapter will work with all Warn Zeon and all Warn VR series winches. Other winches may fit but have not been tested with this kit
- A factory service manual is recommended for removal of any factory components

Tools Required:

- 13mm Socket
- 17mm Socket
- 18mm Socket
- T-45 Torx bit
- ½" Socket
- 6mm Hex Driver
- ½" wrench

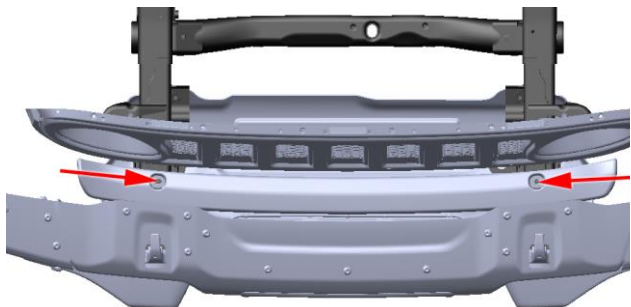
Step 1:

Remove the factory skid plate from the bottom of the front bumper. Remove the 9 bolts that hold the skid plate with 13mm socket. Retain the hardware as it will be reused.



Step 2:

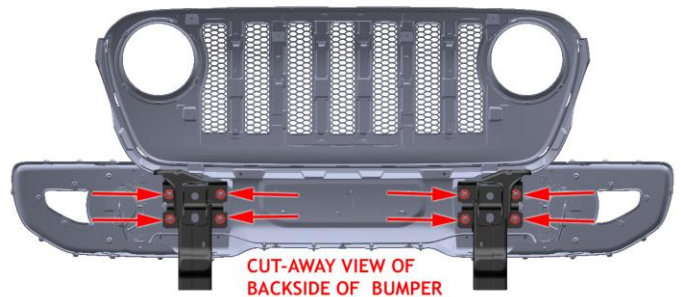
Remove the top trim plate between the bumper and grill. The trim plate is held on with two plastic clips that will need to be removed.



Step 3:

The bumper now needs to be removed. Unplug the wiring harness for the fog lights. A total of 8 nuts will need to be

removed from the inside of the bumper with an 18mm socket. After all 8 nuts have been removed slide the bumper forward off from the frame.

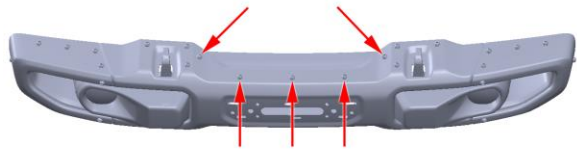


Step 4:

Remove the plastic cover on the stock bumper that covers the hole for the winch fairlead. The cover is held on with 6 plastic clips with tabs that need to be depressed to remove the cover.

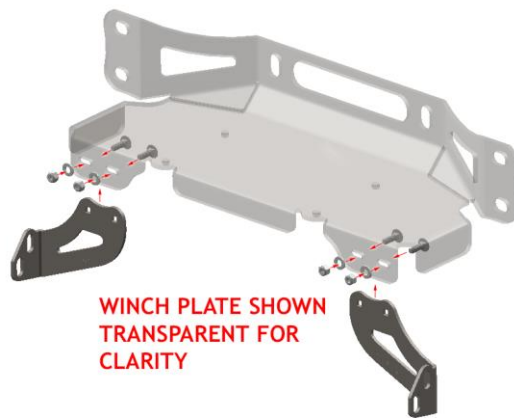
Step 5:

Remove the top cover from the stock bumper. Using a T-45 Torx bit remove the 5 bolts that secure the top cover to the bumper and remove the cover.



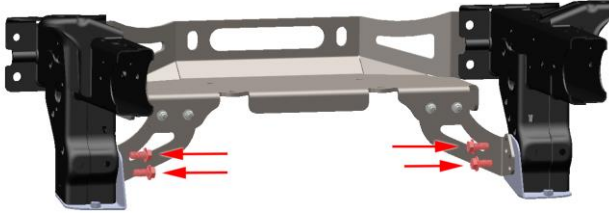
Step 6:

The rear support brackets now need to be attached to the winch mounting plate. Loosely install the brackets, 4 carriage head bolts, lock nuts, and washers.



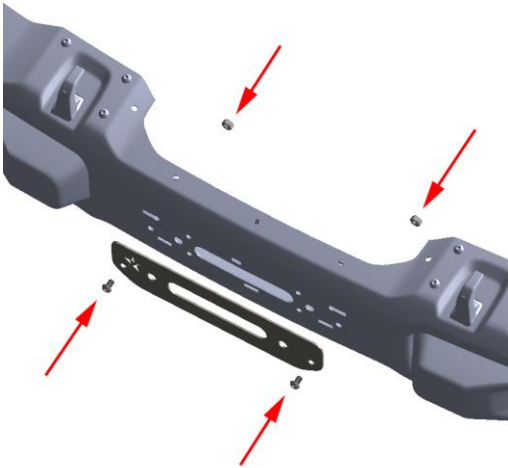
Step 7:

Remove the 4 bolts in the lower brackets that the factory skid plate attached to. Move the winch plate assembly from step 6 into place on the front of the frame, support it with a jack or other appropriate device. Leave the skid brackets in place, and re-install the 4 bolts that were removed previously in this step, only hand tighten the bolts.



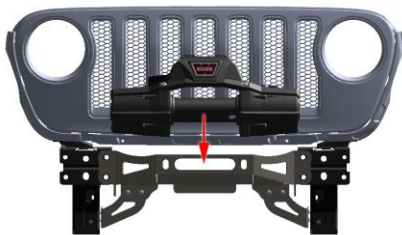
Step 8:

It is now time to install the fairlead adapter plate. Place the plate on the front of the bumper and install the two provided M10 bolts and locknuts. As the hardware is tightened the plate will conform to the contour of the bumper. Tighten hardware to 20 ft-lbs.



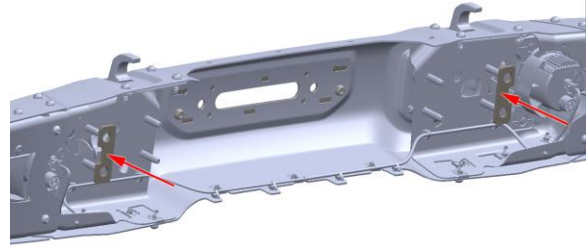
Step 9:

While ensuring the winch plate is well supported, place the winch on the plate. Move the winch into the proper position and verify clearance to all components of the Jeep. Leave the winch in position but do not install the mounting bolts yet.



Step 10:

Install the spacers on the bumper. This kit includes two spacers that need to be installed on the outside studs on the bumper. Slide the spacers over the studs in the orientation shown below.



Step 11:

The bumper is ready to be placed back on the Jeep. Place the bumper back on the Jeep with the 8 studs lined up with the holes in the frame and install and tighten the 8 nuts removed in step 3. The winch may need to be shifted on the plate to gain access to the inside nuts.

Step 12:

Tighten the hardware on the back lower brackets on the winch plate. Using a 1/2" socket and wrench tighten all 5/16" hardware to 25 ft-lbs.

Step 13:

Using the hardware supplied with your winch and fairlead install the fairlead on the bumper and bolt the winch into place.

Step 14:

Re-install the skid plate removed in step 1 with the factory hardware. Plug the harness for the fog lights back in.

Congratulations you have completed the installation of your Jeep JL winch mounting plate!

Professional Services Disclaimer:

The content of all pages of this website (collectively, the "Website"), such as text, graphics, images, information and other material (collectively, "Content") is for informational purposes only. Any information furnished on this Website is not intended nor implied to be automotive advice and is not intended to replace personal consultation with a qualified automotive service technician, mechanic, or similar automotive professional. Barnes 4WD has not examined the Content for accuracy, timeliness, completeness, appropriateness, or helpfulness. Barnes 4WD does not endorse any specific tests, products, procedures, opinions, or other information that may be mentioned on this Website. Your reliance upon information and Content obtained by you at or through this Website is solely at your own risk. IN NO EVENT SHALL BARNES 4WD BE LIABLE OR OTHERWISE RESPONSIBLE FOR ANY DAMAGE OR INJURY (INCLUDING DEATH) TO YOU, OTHER PERSONS, OR PROPERTY ARISING FROM ANY USE OF ANY PRODUCT, INFORMATION, IDEA, OR INSTRUCTION CONTAINED IN THE CONTENT. BARNES 4WD DOES NOT MAKE ANY REPRESENTATION OR WARRANTY, EXPRESS OR IMPLIED, AT LAW OR IN EQUITY, WITH RESPECT TO ANY PRODUCT FEATURED ON THE WEBSITE, INCLUDING WITHOUT LIMITATION WITH RESPECT TO MERCHANTABILITY, FITNESS FOR ANY PARTICULAR PURPOSE, VALUE, VALIDITY, OR ENFORCEABILITY, AND ANY AND ALL SUCH OTHER REPRESENTATIONS OR WARRANTIES ARE HEREBY EXPRESSLY DISCLAIMED.