

JL and JT INNER C GUSSETS

Thank you for purchasing Barnes 4WD

JL and JT Inner C Gussets

Installation Notes:

- Installation of this kit requires a trained welder.
- This Product is designed to fit 2019-Current Jeep JL Rubicon and 2020-Current Jeep JT Gladiator only this product will not fit Jeep JL Sport and Jeep JL Sahara
- Refer to your factory service manual for information regarding the removal of any factory components.
- Removal of the Factory Ball Joints is recommended

Tools Required:

- Welding machine with the capability to weld at least 3/16" thick steel
- Grinder with flap wheel or grinding disc

Step 1:

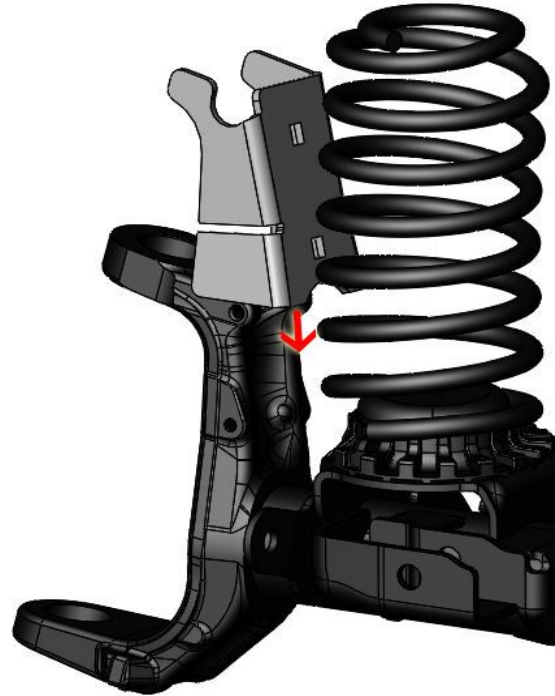
Park the jeep on a level surface and remove the factory abs wire and mount.

Step 2:

After removing the factory abs wires clean the axle where the C gussets are going to be welded.

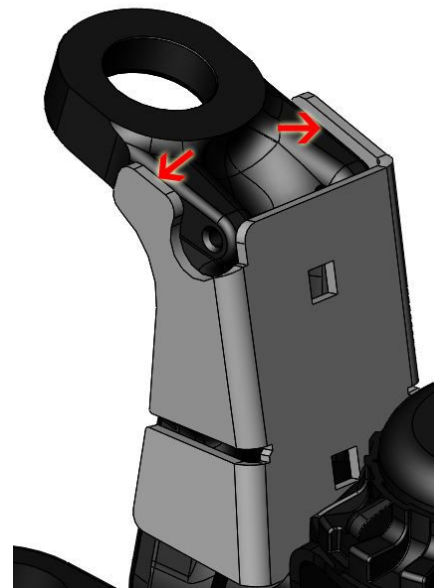
Step 3:

Place the upper C gusset on the axle as shown in the picture below.



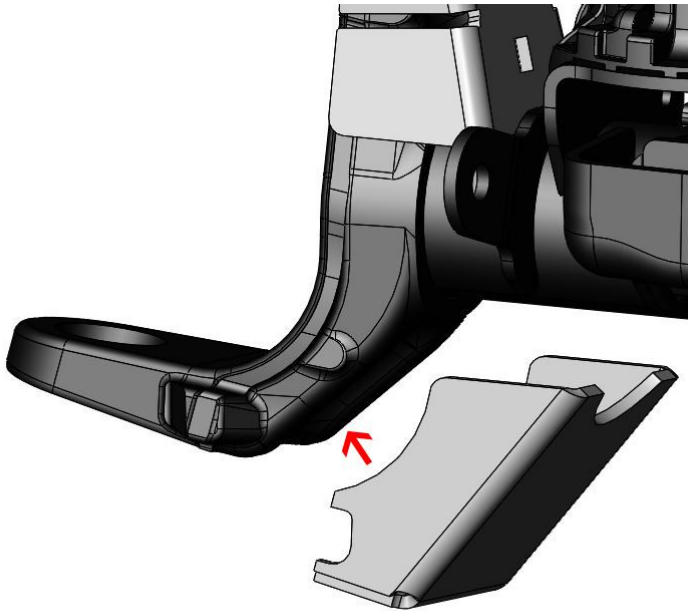
Step 4:

Once the upper C gusset is in its desired location tack it in place in the locations shown in the picture below.



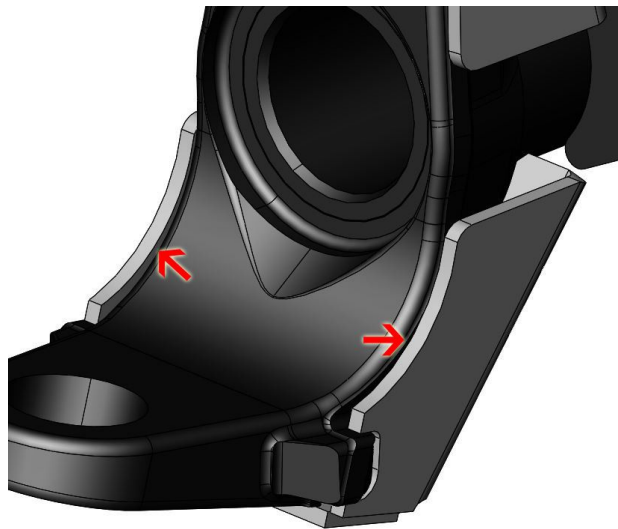
Step 5:

Place the lower C gusset on the axle as shown in the picture below.



Step 6:

Once the lower C gusset is in its desired location tack it in place in the locations shown in the picture below. Tack Weld on both sides.

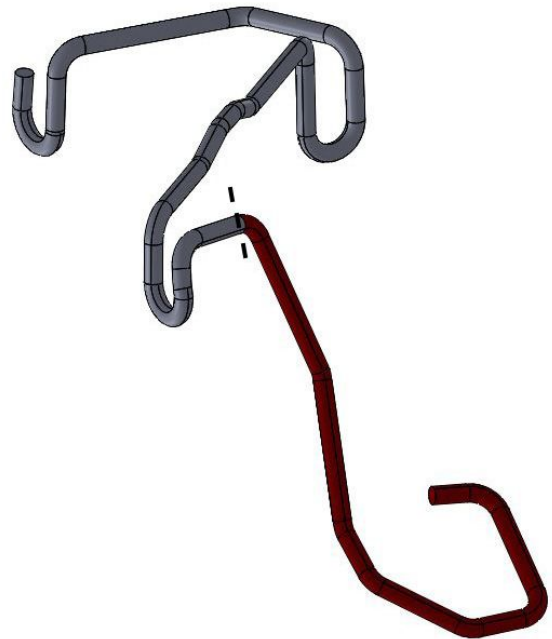


Step 7:

Fully weld the upper and lower gusset to the axle and the inner C's. Making sure to weld the seam together on the upper gusset

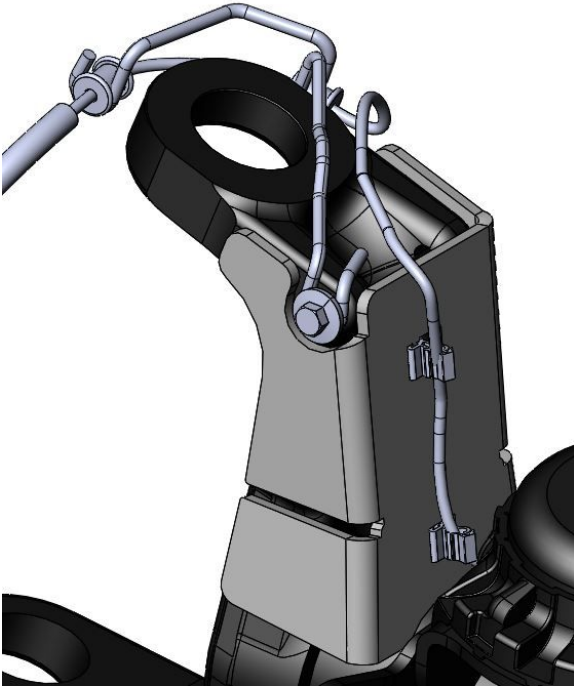
Step 8:

Once the C gussets are welded you will need to cut the factory abs mounting wire in the location shown in the picture below removing the red portion.



Step 9:

Reinstall the abs wire and mounting wire as shown in the picture below. The square holes in the upper gusset are designed to take the factory abs clips.



Step 10:

Repeat steps 1 through 9 on the opposite side of the vehicle.

Congratulations! You have Completed
Installation of your Barnes 4WD JEEP JL and JT
Inner C Gussets

Professional Services Disclaimer:

The content of all pages of this website (collectively, the "Website"), such as text, graphics, images, information and other material (collectively, "Content") is for informational purposes only. Any information furnished on this Website is not intended nor implied to be automotive advice and is not intended to replace personal consultation with a qualified automotive service technician, mechanic, or similar automotive professional. Barnes 4WD has not examined the Content for accuracy, timeliness, completeness, appropriateness, or helpfulness. Barnes 4WD does not endorse any specific tests, products, procedures, opinions, or other information that may be mentioned on this Website. Your reliance upon information and Content obtained by you at or through this Website is solely at your own risk. IN NO EVENT SHALL BARNES 4WD BE LIABLE OR OTHERWISE RESPONSIBLE FOR ANY DAMAGE OR INJURY (INCLUDING DEATH) TO YOU, OTHER PERSONS, OR PROPERTY ARISING FROM ANY USE OF ANY PRODUCT, INFORMATION, IDEA, OR INSTRUCTION CONTAINED IN THE CONTENT. BARNES 4WD DOES NOT MAKE ANY REPRESENTATION OR WARRANTY, EXPRESS OR IMPLIED, AT LAW OR IN EQUITY, WITH RESPECT TO ANY PRODUCT FEATURED ON THE WEBSITE, INCLUDING WITHOUT LIMITATION WITH RESPECT TO MERCHANTABILITY, FITNESS FOR ANY PARTICULAR PURPOSE, VALUE, VALIDITY, OR ENFORCEABILITY, AND ANY AND ALL SUCH OTHER REPRESENTATIONS OR WARRANTIES ARE HEREBY EXPRESSLY DISCLAIMED.