



## JK Rear Frame Lower Control Arm Skid Plates Installation Instructions

Thank you for purchasing our JK rear frame lower control arm skid plates!

### Installation Notes:

- This product is designed to cap over the factory rear frame lower control arm mounts on a 2007-2018 Jeep JK and JKU.
- Refer to the factory service manual to remove any factory components.
- Drilling two holes in each factory lower control arm bracket is required for installation.

### Tools required:

- Drill
- 3/8" Drill Bit
- 3/8" Ratchet
- 1/2" Ratchet
- 9/16" Socket
- 7/8" Socket
- 21mm socket
- 9/16" Wrench
- 13/16" Wrench
- Torque Wrench

## Contents of box

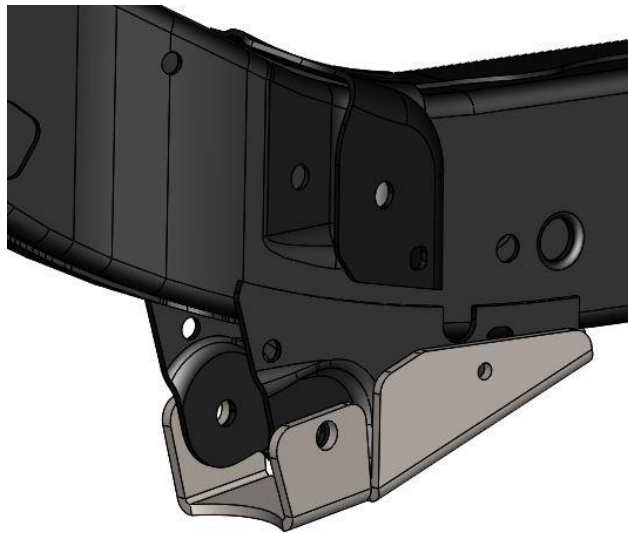
Bill Of Materials For (BOM Part# and Description)			
QTY	Part Number	Etch Number	Description
1	B4W250647	647 B	JK Rear Frame Lower Control Arm Skid Passenger
1	B4W250684	648 B	JK Rear Frame Lower Control Arm Skid Driver
4	37CNNE0Y/GC	NA	3/8-16 Nylock Yellow
4	37C100HCS8Y	NA	3/8"-16X1" Hex Head
2	56C450HCS8Y	NA	9/16-12x4.5 GRADE 8 BOLT
2	56CNNE0Y/GC	NA	9/16-12 Nylock

### Step 1:

Park the Jeep on a level surface and remove the frame rear lower control arm bolt.

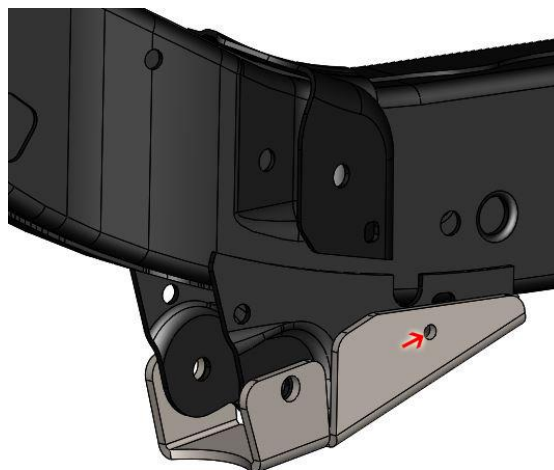
### Step 2:

Place the Barnes4wd skid plate over the rear control arm bracket and install the control arm bolt. If your factory bracket has been damaged, you may need to straighten them before the skid will fit the bracket.



### Step 3:

With the skid plate in its desired location mark the center of the two 3/8" holes on the factory bracket.

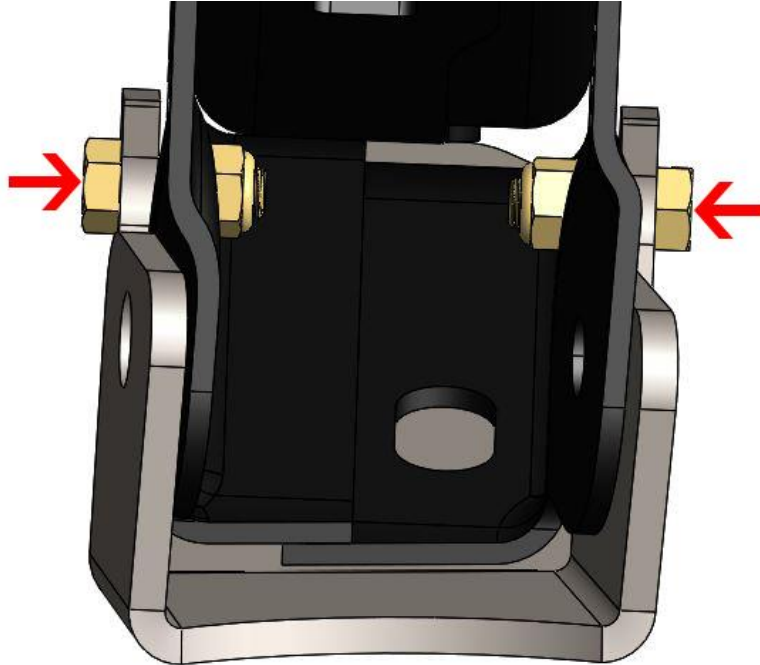


### **Step 4:**

Remove the skid plate and drill two 3/8" holes into the factory bracket.

### **Step 5:**

With the holes drilled reinstall the skid plate over the factory bracket install the 3/8" hardware and tighten.



### **Step 6:**

Reinstall the control arm into the bracket and install the supplied grade 8 9/16" hardware into the bracket and tighten to 115 foot pounds.

### **Step 7:**

Repeat steps 1 through 6 on the opposite side of the jeep.

# **Congratulations! You have finished the installation of the Barnes4wd JK Rear Frame Lower Control Arm Skid Plates.**

## Professional Services Disclaimer:

The content of all pages of this website (collectively, the "Website"), such as text, graphics, images, information and other material (collectively, "Content") is for informational purposes only. Any information furnished on this Website is not intended nor implied to be automotive advice and is not intended to replace personal consultation with a qualified automotive service technician, mechanic, or similar automotive professional.

Barnes 4WD has not examined the Content for accuracy, timeliness, completeness, appropriateness, or helpfulness. Barnes 4WD does not endorse any specific tests, products, procedures, opinions, or other information that may be mentioned on this Website. Your reliance upon information and Content obtained by you at or through this Website is solely at your own risk. IN NO EVENT SHALL BARNES 4WD BE LIABLE OR OTHERWISE RESPONSIBLE FOR ANY DAMAGE OR INJURY (INCLUDING DEATH) TO YOU, OTHER PERSONS, OR PROPERTY ARISING FROM ANY USE OF ANY PRODUCT, INFORMATION, IDEA, OR INSTRUCTION CONTAINED IN THE CONTENT.

BARNES 4WD DOES NOT MAKE ANY REPRESENTATION OR WARRANTY, EXPRESS OR IMPLIED, AT LAW OR IN EQUITY, WITH RESPECT TO ANY PRODUCT FEATURED ON THE WEBSITE, INCLUDING WITHOUT LIMITATION WITH RESPECT TO MERCHANTABILITY, FITNESS FOR ANY PARTICULAR PURPOSE, VALUE, VALIDITY, OR ENFORCEABILITY, AND ANY AND ALL SUCH OTHER REPRESENTATIONS OR WARRANTIES ARE HEREBY EXPRESSLY DISCLAIMED.