



## JK Rear Axle Lower Control Arm Skid Plates Installation Instructions

Thank you for purchasing our JK rear axle lower control arm skid plates!

### Installation Notes:

- This product is designed to cap over the factory rear axle lower control arm mounts on a 2007-2018 Jeep JK and JKU.
- Refer to the factory service manual to remove any factory components.

### Tools required:

- 1/2" Ratchet
- 7/8" Socket
- 21mm socket
- 21mm Wrench
- 13/16" Wrench
- Torque Wrench

## Contents of box

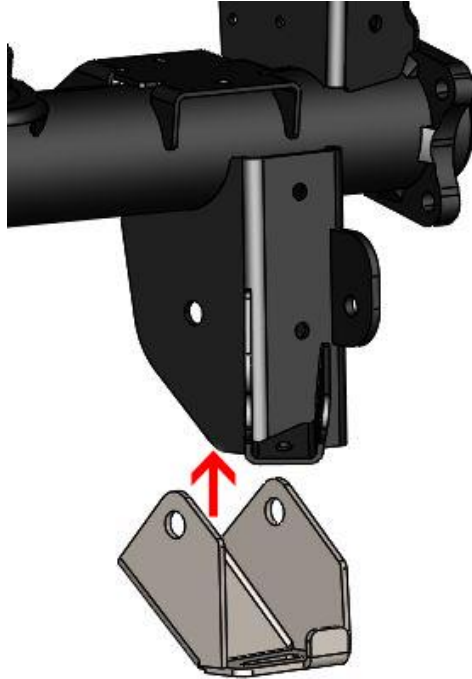
Bill of Materials for B4WK12671 JK Rear Axle Lower Control Arm Bolt on Skid Plate			
QTY	Part Number	Etch Number	Description
1	B4W188613W	613 B	JK Rear Axle Bolt on Lower Control Arm Skid Passenger Weldment
1	B4W188614W	614 B	JK Rear Axle Bolt on Lower Control Arm Skid Driver Weldment
2	56C450HCS8Y	NA	9/16-12x4.5 GRADE 8 BOLT
2	56CNNE0Y/GC	NA	9/16-12 Nylock

### **Step 1:**

Park the Jeep on a level surface and remove the axle rear lower control arm bolt.

### **Step 2:**

Place the Barnes4wd skid plate over the rear control arm bracket. If your factory bracket has been damaged, you may need to straighten it before the skid will fit the bracket.



### **Step 3:**

Reinstall the control arm into the bracket and install the supplied grade 8 9/16" hardware into the bracket and tighten to 115 foot pounds.

### **Step 4:**

Repeat steps 1 through 3 on the opposite side of the jeep.

# **Congratulations! You have finished the installation of the Barnes4wd JK Rear Axle Lower Control Arm Skid Plates.**

Professional Services Disclaimer:

The content of all pages of this website (collectively, the "Website"), such as text, graphics, images, information and other material (collectively, "Content") is for informational purposes only. Any information furnished on this Website is not intended nor implied to be automotive advice and is not intended to replace personal consultation with a qualified automotive service technician, mechanic, or similar automotive professional.

Barnes 4WD has not examined the Content for accuracy, timeliness, completeness, appropriateness, or helpfulness. Barnes 4WD does not endorse any specific tests, products, procedures, opinions, or other information that may be mentioned on this Website. Your reliance upon information and Content obtained by you at or through this Website is solely at your own risk. IN NO EVENT SHALL BARNES 4WD BE LIABLE OR OTHERWISE RESPONSIBLE FOR ANY DAMAGE OR INJURY (INCLUDING DEATH) TO YOU, OTHER PERSONS, OR PROPERTY ARISING FROM ANY USE OF ANY PRODUCT, INFORMATION, IDEA, OR INSTRUCTION CONTAINED IN THE CONTENT.

BARNES 4WD DOES NOT MAKE ANY REPRESENTATION OR WARRANTY, EXPRESS OR IMPLIED, AT LAW OR IN EQUITY, WITH RESPECT TO ANY PRODUCT FEATURED ON THE WEBSITE, INCLUDING WITHOUT LIMITATION WITH RESPECT TO MERCHANTABILITY, FITNESS FOR ANY PARTICULAR PURPOSE, VALUE, VALIDITY, OR ENFORCEABILITY, AND ANY AND ALL SUCH OTHER REPRESENTATIONS OR WARRANTIES ARE HEREBY EXPRESSLY DISCLAIMED.