



JK, JL, JT Rear Bump Stop Extensions Installation Instructions

Thank you for purchasing this product!

Installation Notes:

- To install this kit on a Jeep Gladiator, new bolt holes will need to be drilled into the lower bump stop pad on the axle.

Tools required:

- 9/16" Wrench
- 9/16" Socket and Ratchet
- 7/16" Drill Bit and Drill (JT Only)

Contents of each box

Bill Of Materials For B4WK12444- JK/JL/JT 4" Rear Bump Stop Extension Kit			
QTY	Part Number	Etch Number	Description
2	B4WK12382	N/A	JK/JL/JT 4" Rear Bump Stop Extension
4	37C75HCS8Y	N/A	3/8"-16 x 3/4" Grade 8 Hex Bolt
4	37CNFH8Y	N/A	3/8"-16 Grade 8 Nut
4	37NWSAFY	N/A	3/8" SAE Washer

Bill Of Materials For B4WK12445- JK/JL/JT 3" Rear Bump Stop Extension Kit			
QTY	Part Number	Etch Number	Description
2	B4WK12381	N/A	JK/JL/JT 3" Rear Bump Stop Extension
4	37C75HCS8Y	N/A	3/8"-16 x 3/4" Grade 8 Hex Bolt
4	37CNFH8Y	N/A	3/8"-16 Grade 8 Nut
4	37NWSAFY	N/A	3/8" SAE Washer

JK and JL Instructions

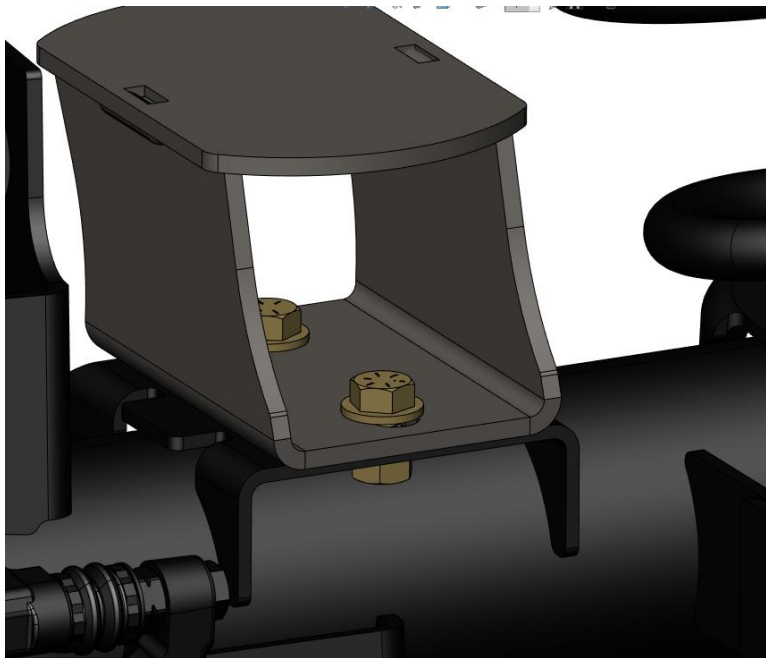
Step 1:

Before installing, paint or powder coat the rear bump stop extensions. With the vehicle parked on level ground, place the new bump stop extensions on the rear bump stop pad on the axle. The slant of the extensions should be facing forward.



Step 2:

Install the bump stop extensions using the provide 3/8" hardware.



JT Installation

Step 1:

With the rear suspension at full bump, place the extension on your bump stop pad so it is landing in the center of the upper bump stop. Also, be mindful of the axle tube for installing your hardware.

Step 2:

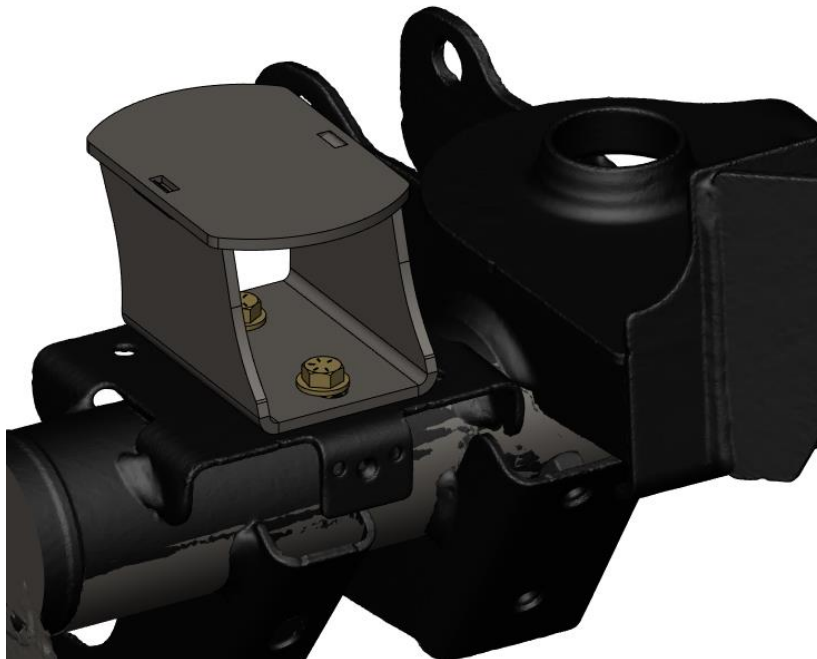
With the bump stop extension where it needs to be, mark the holes on the bump stop pad. Remove the extension and drill out the new bolt holes. Make sure not to drill into the axle tube.

Step 3:

Paint or powder coat the rear bump stop extensions and paint where you drilled the new bolt holes.

Step 4:

Place the bump stop extensions on the bump stop pad and install them with the provide 3/8" hardware.



Congratulations! You have finished the installation of the Barnes 4WD JK/JL/JT Rear Bump Stop Extensions!

Professional Services Disclaimer:

The content of all pages of this website (collectively, the "Website"), such as text, graphics, images, information and other material (collectively, "Content") is for informational purposes only. Any information furnished on this Website is not intended nor implied to be automotive advice and is not intended to replace personal consultation with a qualified automotive service technician, mechanic, or similar automotive professional.

Barnes 4WD has not examined the Content for accuracy, timeliness, completeness, appropriateness, or helpfulness. Barnes 4WD does not endorse any specific tests, products, procedures, opinions, or other information that may be mentioned on this Website. Your reliance upon information and Content obtained by you at or through this Website is solely at your own risk. IN NO EVENT SHALL BARNES 4WD BE LIABLE OR OTHERWISE RESPONSIBLE FOR ANY DAMAGE OR INJURY (INCLUDING DEATH) TO YOU, OTHER PERSONS, OR PROPERTY ARISING FROM ANY USE OF ANY PRODUCT, INFORMATION, IDEA, OR INSTRUCTION CONTAINED IN THE CONTENT.

BARNES 4WD DOES NOT MAKE ANY REPRESENTATION OR WARRANTY, EXPRESS OR IMPLIED, AT LAW OR IN EQUITY, WITH RESPECT TO ANY PRODUCT FEATURED ON THE WEBSITE, INCLUDING WITHOUT LIMITATION WITH RESPECT TO MERCHANTABILITY, FITNESS FOR ANY PARTICULAR PURPOSE, VALUE, VALIDITY, OR ENFORCEABILITY, AND ANY AND ALL SUCH OTHER REPRESENTATIONS OR WARRANTIES ARE HEREBY EXPRESSLY DISCLAIMED.