

Jeep JK 2 Door Fuel Tank Skid Plate Installation Instructions

Thank you for purchasing our Jeep JK 2 Door Fuel Tank Skid Kit!

Installation Notes:

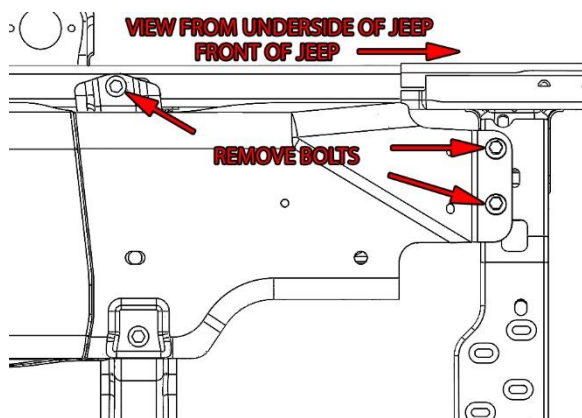
- A factory service manual is recommended for the removal of any factory components
- This skid plate is compatible with other Barnes 4wd JK skid plates and most OEM skid plates
- This skid plate may not be compatible with other brands of aftermarket skid plates
- This product is compatible with all 2007-2018 2 door Jeep Wrangler JK's

Tools required:

- 14mm socket
- Ratchet
- 4" Extension
- 3/4" Combination wrench
- 3/4" Socket

Step 1:

Remove the 2 bolts located at the front edge of the factory fuel tank skid and the front outside mounting bolt.

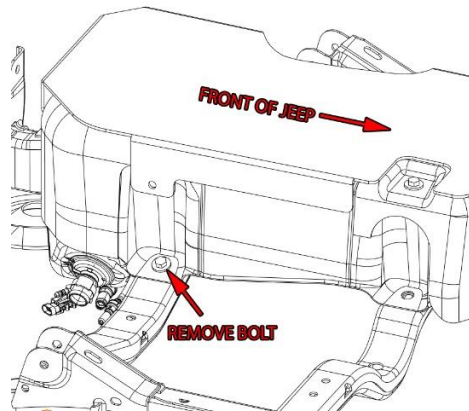


Step 2:

Place the new fuel tank skid over the factory skid. Install the 3 bolts removed in the previous step hand tight, the front 2 bolts will need to have the provided bolt head protectors installed. The rear section of the new skid may need to be supported with a jack or jack stand until installation is complete.

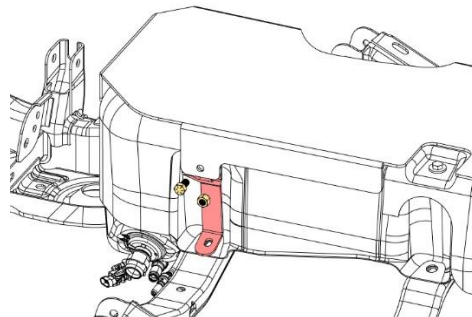
Step 3:

Remove the back inside fuel tank skid mounting bolt.



Step 4:

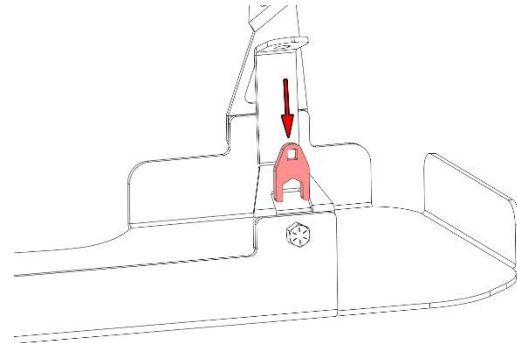
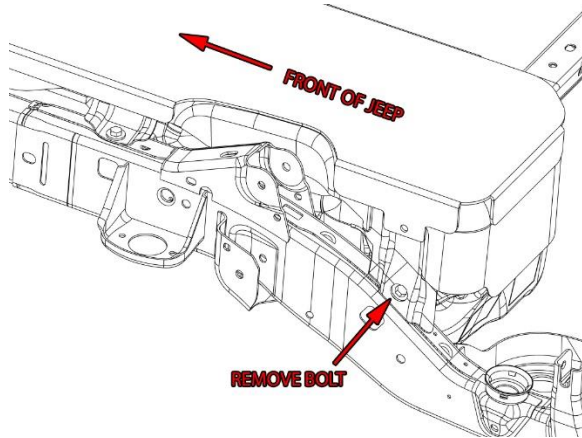
Install the provided inside mounting bracket on the inside of the new fuel tank skid. Install the provided 1/2" bolt from the outside in and place the provided locknut on the inside of the skid. After the bracket is bolted to the skid with the 1/2" bolt install the factory bolt removed in the last step, only hand tighten hardware at this time.



drive ratchet or extension to hold the wrench while tightening.

Step 5:

Remove the back outside fuel tank skid mounting bolt.



Torque specifications

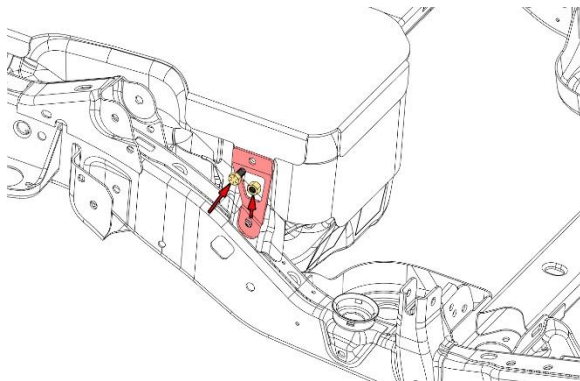
½" hardware 60 Ft-Lbs

12mm Hardware 50 Ft-Lbs

Congratulations you have completed the installation of your JK fuel tank skid!

Step 6:

Install the rear outside mounting bracket on the outside of the new fuel tank skid. Install the provided ½" bolt and locknut using the same procedure as step 4. Install the factory bolt that was removed in step 5.



Step 7:

Tighten all hardware according to the torque specifications listed below. The included crow foot wrench can be used to hold the ½" lock nuts on the mounting brackets. The square hole in the crow foot wrench will accept a 3/8"

Professional Services Disclaimer:

The content of all pages of this website (collectively, the "Website"), such as text, graphics, images, information and other material (collectively, "Content") is for informational purposes only. Any information furnished on this Website is not intended nor implied to be automotive advice and is not intended to replace personal consultation with a qualified automotive service technician, mechanic, or similar automotive professional.

Barnes 4WD has not examined the Content for accuracy, timeliness, completeness, appropriateness, or helpfulness. Barnes 4WD does not endorse any specific tests, products, procedures, opinions, or other information that may be mentioned on this Website. Your reliance upon information and Content obtained by you at or through this Website is solely at your own risk. IN NO EVENT SHALL BARNES 4WD BE LIABLE OR OTHERWISE RESPONSIBLE FOR ANY DAMAGE OR INJURY (INCLUDING DEATH) TO YOU, OTHER PERSONS, OR PROPERTY ARISING FROM ANY USE OF ANY PRODUCT, INFORMATION, IDEA, OR INSTRUCTION CONTAINED IN THE CONTENT.

BARNES 4WD DOES NOT MAKE ANY REPRESENTATION OR WARRANTY, EXPRESS OR IMPLIED, AT LAW OR IN EQUITY, WITH RESPECT TO ANY PRODUCT FEATURED ON THE WEBSITE, INCLUDING WITHOUT LIMITATION WITH RESPECT TO MERCHANTABILITY, FITNESS FOR ANY PARTICULAR PURPOSE, VALUE, VALIDITY, OR ENFORCEABILITY, AND ANY AND ALL SUCH OTHER REPRESENTATIONS OR WARRANTIES ARE HEREBY EXPRESSLY DISCLAIMED.