

## Jeep JK and JKU 1 Ton Front Track Bar Bracket Installation Instructions

Thank you for purchasing this product!

### Installation notes:

- This product is designed to fit 2007-2018 Jeep Wrangler JK and JKU Unlimited
- This bracket will move the frame track bar mount forward 2" and is intended to be used for a 1 ton axle swap. However it can be used to extend the wheelbase on a Jeep with factory axles.
- Cutting, welding and general metal fabrication skills are required.

### Tools required:

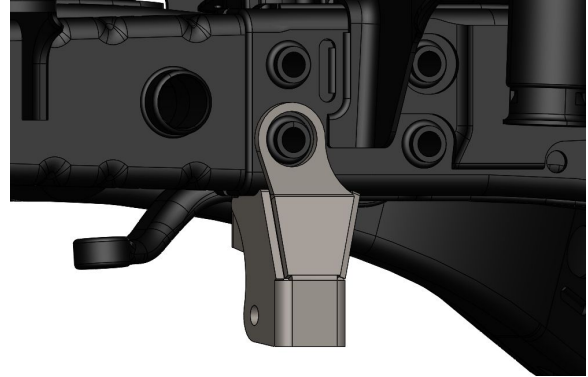
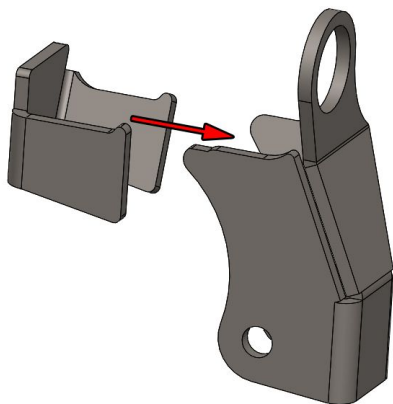
- Welder capable of welding at least 1/4" thick steel
- Grinder, torch, plasma cutter or other appropriate cutting tool
- Various hand tools

### Step 1:

Remove the stock frame track bar bracket and welds with an appropriate cutting tool.

### Step 2:

Assemble the two halves of the track bar bracket, but do not weld them together yet. Place the track bar bracket assembly on the frame and center the front lower steering box bolt hole in the hole on the outside of the bracket. Tack weld the bracket in place.



### Step 3:

Cycle the front suspension on the Jeep and verify clearance to all components. Weld the bracket in place once clearance is verified.

Congratulations you have completed the installation of your track bar bracket!

### Professional Services Disclaimer:

The content of all pages of this website (collectively, the "Website"), such as text, graphics, images, information and other material (collectively, "Content") is for informational purposes only. Any information furnished on this Website is not intended nor implied to be automotive advice and is not intended to replace personal consultation with a qualified automotive service technician, mechanic, or similar automotive professional. Barnes 4WD has not examined the Content for accuracy, timeliness, completeness, appropriateness, or helpfulness. Barnes 4WD does not endorse any specific tests, products, procedures, opinions, or other information that may be mentioned on this Website. Your reliance upon information and Content obtained by you at or through this Website is solely at your own risk. IN NO EVENT SHALL BARNES 4WD BE LIABLE OR OTHERWISE RESPONSIBLE FOR ANY DAMAGE OR INJURY (INCLUDING DEATH) TO YOU, OTHER PERSONS, OR PROPERTY ARISING FROM ANY USE OF ANY PRODUCT, INFORMATION, IDEA, OR INSTRUCTION CONTAINED IN THE CONTENT. BARNES 4WD DOES NOT MAKE ANY REPRESENTATION OR WARRANTY, EXPRESS OR IMPLIED, AT LAW OR IN EQUITY, WITH RESPECT TO ANY PRODUCT FEATURED ON THE WEBSITE, INCLUDING WITHOUT LIMITATION WITH RESPECT TO MERCHANTABILITY, FITNESS FOR ANY PARTICULAR PURPOSE, VALUE, VALIDITY, OR ENFORCEABILITY, AND ANY AND ALL SUCH OTHER REPRESENTATIONS OR WARRANTIES ARE HEREBY EXPRESSLY DISCLAIMED.