

JEEP TJ Rubicon Locker Pump Bracket

Thank you for purchasing Barnes 4WD
Jeep TJ Rubicon Locker Pump Bracket

Installation Notes:

- This Bracket is designed to be used with our Jeep TJ bolt on skid plate
Part #B4WK12298
- This skid fits 2003-2006 Jeep TJ Wrangler Rubicon 2004-2006 Jeep LJ Wrangler Rubicon

Tools Required:

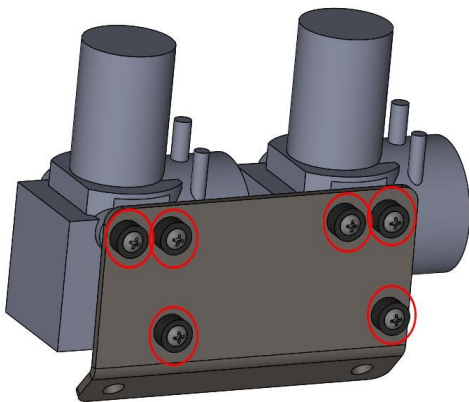
- Hand Tools

Step 1:

Park the Jeep on a level surface and remove The 2 locker pumpers and their wiring and hoses. Record which wires and hoses go where for reinstallation

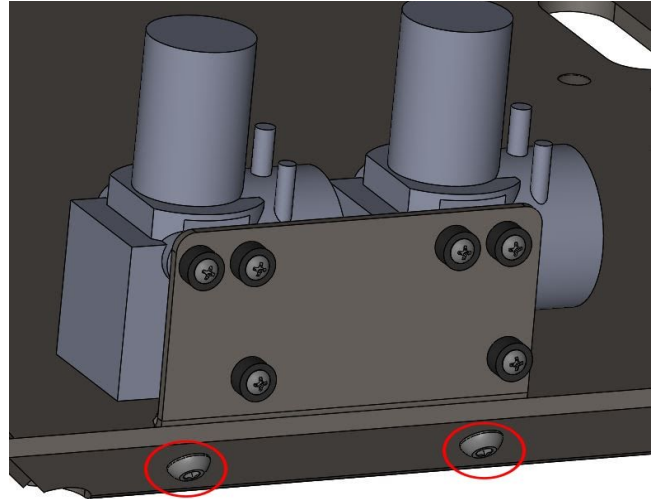
Step 2:

Install the lockers on to the bracket as shown in the pictures below. Note the factory rubber isolators and screws need to be reused.



Step 3:

Install the bracket and the pump assembly onto the Jeep TJ bolt on skid plate with the supplied hardware.



Step 4:

Plug the wires and hoses back into the correct pumps and run the wires out of harm's way.

Congratulations! You have Completed Installation of your Barnes 4WD JEEP TJ Rubicon Locker Pump Bracket.

Professional Services Disclaimer:

The content of all pages of this website (collectively, the "Website"), such as text, graphics, images, information and other material (collectively, "Content") is for informational purposes only. Any information furnished on this Website is not intended nor implied to be automotive advice and is not intended to replace personal consultation with a qualified automotive service technician, mechanic, or similar automotive professional.

Barnes 4WD has not examined the Content for accuracy, timeliness, completeness, appropriateness, or helpfulness. Barnes 4WD does not endorse any specific tests, products, procedures, opinions, or other information that may be mentioned on this Website. Your reliance upon information and Content obtained by you at or through this Website is solely at your own risk. IN NO EVENT SHALL BARNES 4WD BE LIABLE OR OTHERWISE RESPONSIBLE FOR ANY DAMAGE OR INJURY (INCLUDING DEATH) TO YOU, OTHER PERSONS, OR PROPERTY ARISING FROM ANY USE OF ANY PRODUCT, INFORMATION, IDEA, OR INSTRUCTION CONTAINED IN THE CONTENT.

BARNES 4WD DOES NOT MAKE ANY REPRESENTATION OR WARRANTY, EXPRESS OR IMPLIED, AT LAW OR IN EQUITY, WITH RESPECT TO ANY PRODUCT FEATURED ON THE WEBSITE, INCLUDING WITHOUT LIMITATION WITH RESPECT TO MERCHANTABILITY, FITNESS FOR ANY PARTICULAR PURPOSE, VALUE, VALIDITY, OR ENFORCEABILITY, AND ANY AND ALL SUCH OTHER REPRESENTATIONS OR WARRANTIES ARE HEREBY EXPRESSLY DISCLAIMED.