

JEEP TJ Body Mounts

Thank you for purchasing Barnes 4WD
JEEP TJ Body Mounts

Installation Notes:

- These mounts are designed to replace the OEM TJ Body Mounts
- These mounts fits 1997-2006 Jeep Wrangler TJ and 2004-2006 Jeep Wrangler LJ
- Installation of this product requires a trained welder
- Cutting off existing mounts are required for installation
- Refer to your vehicles factory service manual for removal of any factory components

Tools Required:

- Welding machine with the capability of welding at least ¼" steel.
- Proper cutting tool (Grinder with cut off wheel, plasma cutter, cutting torch, etc.)
- Level

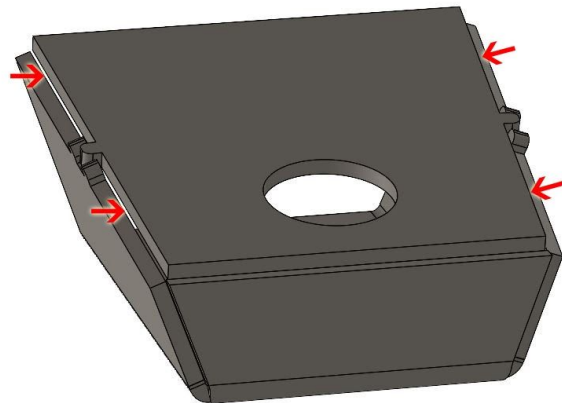
Step 2:

Using the proper cutting tool remove the OEM side frame body mounts.



Step 3:

Tack weld the top cap on the body mounts as shown in the picture below.

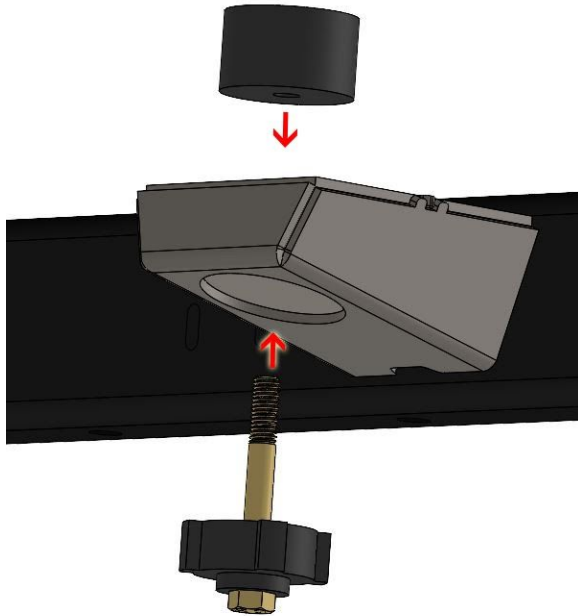


Step 1:

Park the Jeep on a level surface and remove the body mount bolts and bushings.

Step 4:

Install the body mount brackets on the frame the 2 long mounts will need to go to the front of the Jeep. As shown in the picture below.



Step 5:

Tighten the bolt into the body until it is snug and tack weld the body mount into place on the frame making sure the body is level from driver to passenger and front to back.

Step 6:

Remove the body mount bushings and weld the bracket completely together and to the frame.

Step 7:

Repeat steps 2 through 6 on the opposite side of the Jeep.

Congratulations! You have Completed Installation of your Barnes 4WD JEEP TJ Body Mounts.

Professional Services Disclaimer:

The content of all pages of this website (collectively, the "Website"), such as text, graphics, images, information and other material (collectively, "Content") is for informational purposes only. Any information furnished on this Website is not intended nor implied to be automotive advice and is not intended to replace personal consultation with a qualified automotive service technician, mechanic, or similar automotive professional.

Barnes 4WD has not examined the Content for accuracy, timeliness, completeness, appropriateness, or helpfulness. Barnes 4WD does not endorse any specific tests, products, procedures, opinions, or other information that may be mentioned on this Website. Your reliance upon information and Content obtained by you at or through this Website is solely at your own risk. IN NO EVENT SHALL BARNES 4WD BE LIABLE OR OTHERWISE RESPONSIBLE FOR ANY DAMAGE OR INJURY (INCLUDING DEATH) TO YOU, OTHER PERSONS, OR PROPERTY ARISING FROM ANY USE OF ANY PRODUCT, INFORMATION, IDEA, OR INSTRUCTION CONTAINED IN THE CONTENT.

BARNES 4WD DOES NOT MAKE ANY REPRESENTATION OR WARRANTY, EXPRESS OR IMPLIED, AT LAW OR IN EQUITY, WITH RESPECT TO ANY PRODUCT FEATURED ON THE WEBSITE, INCLUDING WITHOUT LIMITATION WITH RESPECT TO MERCHANTABILITY, FITNESS FOR ANY PARTICULAR PURPOSE, VALUE, VALIDITY, OR ENFORCEABILITY, AND ANY AND ALL SUCH OTHER REPRESENTATIONS OR WARRANTIES ARE HEREBY EXPRESSLY DISCLAIMED.