

JEEP JL and JT Front Axle Disconnect Skid

Thank you for purchasing Barnes 4WD
Jeep JL and JT Front Axle Disconnect Skid

Installation Notes:

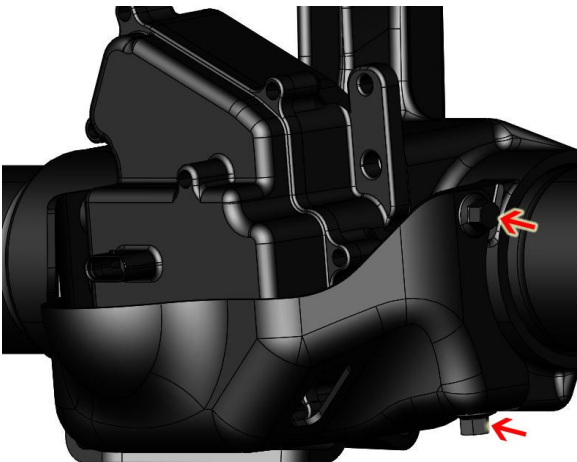
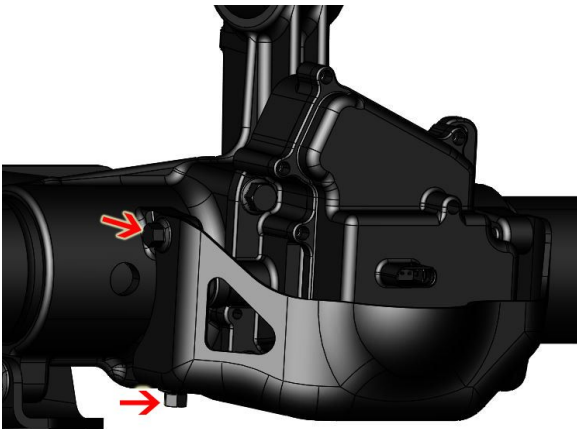
- This skid is designed to replace the OEM JL and JT front axle disconnect skid
- This skid fits Jeep JL 2018-Present and Jeep JT 2019-Present.

Tools Required:

- 5MM allen key
- 10MM Socket
- 3/8" Drive Ratchet

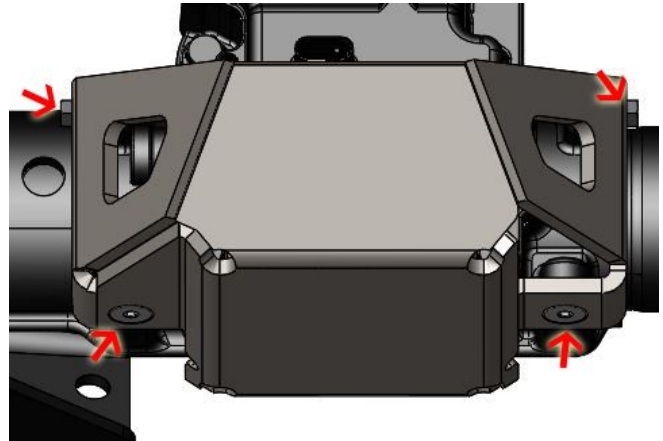
Step 1:

Park the Jeep on a level surface and remove the OEM front axle disconnect skid by removing the four bolts as shown in the pictures below.



Step 2:

Place the new Barnes 4WD front axle disconnect skid where the OEM skid was and reinstall the OEM bolts in the top holes of the skid. The lower bolts will need to be changed to the flat head bolts that were provided in the kit. We recommend torque all bolts to 20 ft-lbs with medium strength locking compound.



**Congratulations! You have Completed
Installation of your Barnes 4WD JEEP JL and JT
Front Axle Disconnect Skid.**

Professional Services Disclaimer:

The content of all pages of this website (collectively, the "Website"), such as text, graphics, images, information and other material (collectively, "Content") is for informational purposes only. Any information furnished on this Website is not intended nor implied to be automotive advice and is not intended to replace personal consultation with a qualified automotive service technician, mechanic, or similar automotive professional.

Barnes 4WD has not examined the Content for accuracy, timeliness, completeness, appropriateness, or helpfulness. Barnes 4WD does not endorse any specific tests, products, procedures, opinions, or other information that may be mentioned on this Website. Your reliance upon information and Content obtained by you at or through this Website is solely at your own risk. IN NO EVENT SHALL BARNES 4WD BE LIABLE OR OTHERWISE RESPONSIBLE FOR ANY DAMAGE OR INJURY (INCLUDING DEATH) TO YOU, OTHER PERSONS, OR PROPERTY ARISING FROM ANY USE OF ANY PRODUCT, INFORMATION, IDEA, OR INSTRUCTION CONTAINED IN THE CONTENT.

BARNES 4WD DOES NOT MAKE ANY REPRESENTATION OR WARRANTY, EXPRESS OR IMPLIED, AT LAW OR IN EQUITY, WITH RESPECT TO ANY PRODUCT FEATURED ON THE WEBSITE, INCLUDING WITHOUT LIMITATION WITH RESPECT TO MERCHANTABILITY, FITNESS FOR ANY PARTICULAR PURPOSE, VALUE, VALIDITY, OR ENFORCEABILITY, AND ANY AND ALL SUCH OTHER REPRESENTATIONS OR WARRANTIES ARE HEREBY EXPRESSLY DISCLAIMED.