

JEEP JL Front Axle Lower Control Arm Skids

Thank you for purchasing Barnes 4WD
JEEP JL Front Axle Lower Control Arm Skids

Installation Notes:

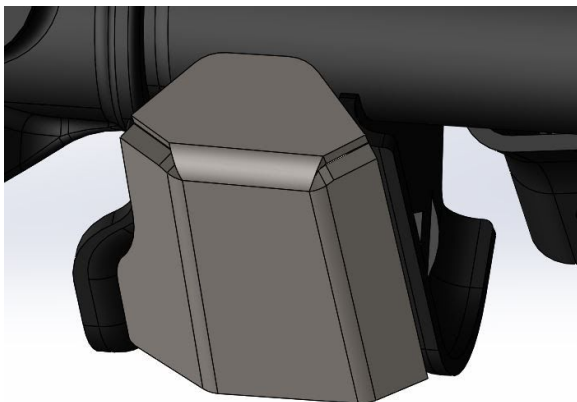
- These skids are designed to weld directly to the OEM JL Front Axle Lower Control Arm Brackets
- Installation of this product requires a trained welder
- Fits 2018-Current Jeep Wrangler JL and 2020- Current Jeep Gladiator JT

Tools Required:

- Welding machine with the capability of welding at least ¼" steel.
- Grinder with flap wheel or grinding disc.

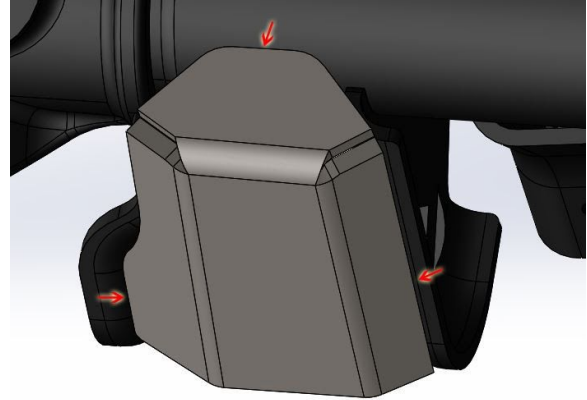
Step 1:

Place the JL Front Axle Lower Control Arm Skid on the OEM JL Front Axle Lower Control Arm Bracket as shown in the picture below and grind to bare metal where the skid touches the bracket and axle.



Step 2:

Once the skid is in its desired location tack weld it in place in the locations shown in the picture below.



Step 3:

Once the skid is tack welded into place and in its desired location fully weld them to the OEM lower control arm brackets and the axle.

Step 4:

Once the skid is fully welded repeat steps 1 through 3 on the opposite side of the Jeep.

Congratulations! You have Completed
Installation of your Barnes 4WD JEEP JL Front Axle
Lower Control Arm Skids.

Professional Services Disclaimer:

The content of all pages of this website (collectively, the "Website"), such as text, graphics, images, information and other material (collectively, "Content") is for informational purposes only. Any information furnished on this Website is not intended nor implied to be automotive advice and is not intended to replace personal consultation with a qualified automotive service technician, mechanic, or similar automotive professional.

Barnes 4WD has not examined the Content for accuracy, timeliness, completeness, appropriateness, or helpfulness. Barnes 4WD does not endorse any specific tests, products, procedures, opinions, or other information that may be mentioned on this Website. Your reliance upon information and Content obtained by you at or through this Website is solely at your own risk. IN NO EVENT SHALL BARNES 4WD BE LIABLE OR OTHERWISE RESPONSIBLE FOR ANY DAMAGE OR INJURY (INCLUDING DEATH) TO YOU, OTHER PERSONS, OR PROPERTY ARISING FROM ANY USE OF ANY PRODUCT, INFORMATION, IDEA, OR INSTRUCTION CONTAINED IN THE CONTENT. BARNES 4WD DOES NOT MAKE ANY REPRESENTATION OR WARRANTY, EXPRESS OR IMPLIED, AT LAW OR IN EQUITY, WITH RESPECT TO ANY PRODUCT FEATURED ON THE WEBSITE, INCLUDING WITHOUT LIMITATION WITH RESPECT TO MERCHANTABILITY, FITNESS FOR ANY PARTICULAR PURPOSE, VALUE, VALIDITY, OR ENFORCEABILITY, AND ANY AND ALL SUCH OTHER REPRESENTATIONS OR WARRANTIES ARE HEREBY EXPRESSLY DISCLAIMED.