

## JEEP JK Rear Axle Lower Control Arm Skids

Thank you for purchasing the Barnes4WD

Jeep JK Rear Lower Control Arm Skids

### Installation Notes:

- These skids are designed to weld directly to the OEM JK Rear Axle Lower Control Arm Brackets.
- These skids are designed to have openings that are used as drain holes and should not be welded closed.
- Installation of this product requires a trained welder
- Refer to your vehicle's factory service manual for removal of any factor components.

### Tools Required:

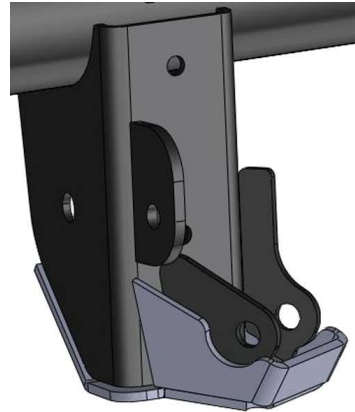
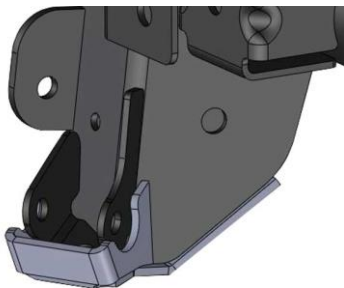
- Welding machine with the capability of welding at least ¼" steel.
- Grinder with flap wheel or grinding disc.
- Ratchet and socket set

### Step 1:

Unbolt the control arm from the OEM lower control arm mount, and move out of your way.

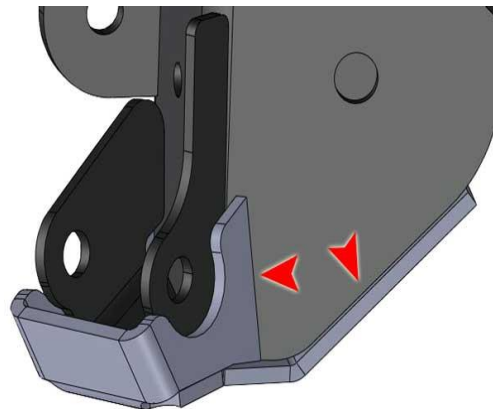
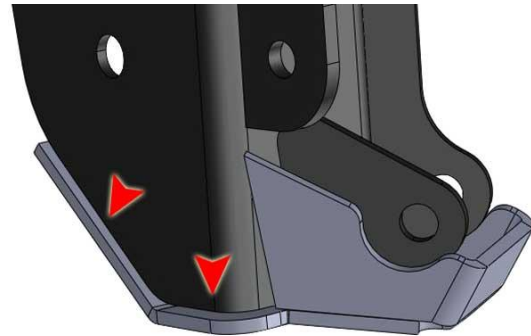
### Step 2:

Place the JK Rear Axle Lower Control Arm Skid on the OEM JK Rear Axle Lower Control Arm Bracket as shown in the pictures below.



### Step 3:

Once the skid is in its desired location tack weld it in place in the locations shown in the picture below.



**Step 4:**

Verify fitment by reinstalling factory control arm.

**Step: 5**

With fitment verified fully weld skid to OEM Bracket.

**Step 6:**

Once the skid is fully welded repeat steps 1 through 5 on the opposite side of the Jeep.

**Congratulations! You have Completed  
Installation of your Barnes 4WD JEEP JK Rear  
Axle Lower Control Arm Skids.**

**Professional Services Disclaimer:**

The content of all pages of this website (collectively, the "Website"), such as text, graphics, images, information and other material (collectively, "Content") is for informational purposes only. Any information furnished on this Website is not intended nor implied to be automotive advice and is not intended to replace personal consultation with a qualified automotive service technician, mechanic, or similar automotive professional.

Barnes 4WD has not examined the Content for accuracy, timeliness, completeness, appropriateness, or helpfulness. Barnes 4WD does not endorse any specific tests, products, procedures, opinions, or other information that may be mentioned on this Website. Your reliance upon information and Content obtained by you at or through this Website is solely at your own risk. IN NO EVENT SHALL BARNES 4WD BE LIABLE OR OTHERWISE RESPONSIBLE FOR ANY DAMAGE OR INJURY (INCLUDING DEATH) TO YOU, OTHER PERSONS, OR PROPERTY ARISING FROM ANY USE OF ANY PRODUCT, INFORMATION, IDEA, OR INSTRUCTION CONTAINED IN THE CONTENT. BARNES 4WD DOES NOT MAKE ANY REPRESENTATION OR WARRANTY, EXPRESS OR IMPLIED, AT LAW OR IN EQUITY, WITH RESPECT TO ANY PRODUCT FEATURED ON THE WEBSITE, INCLUDING WITHOUT LIMITATION WITH RESPECT TO MERCHANTABILITY, FITNESS FOR ANY PARTICULAR PURPOSE, VALUE, VALIDITY, OR ENFORCEABILITY, AND ANY AND ALL SUCH OTHER REPRESENTATIONS OR WARRANTIES ARE HEREBY EXPRESSLY DISCLAIMED.