

JEEP JK Front Axle Coil Spring Buckets

Thank you for purchasing Barnes 4WD Jeep JK Front Axle Coil Spring Buckets

Installation Notes:

- These brackets are designed to replace the OEM JK Front Axle Coil Spring Buckets
- These brackets fit 2007-2018 Jeep Wrangler JK and Jeep JKU
- Installation of this product requires a trained welder
- Cutting off existing bracketry is required for installation
- Refer to your vehicles factory service manual for removal of any factory components

Tools Required:

- Welding machine with the capability of welding at least ¼" steel.
- Proper cutting tool (Grinder with cut off wheel, plasma cutter, cutting torch, etc.)
- Tape Measure
- Angle Finder

Step 1:

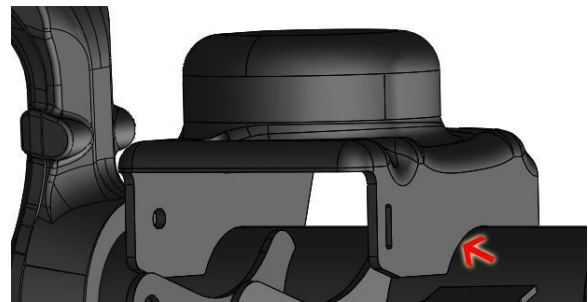
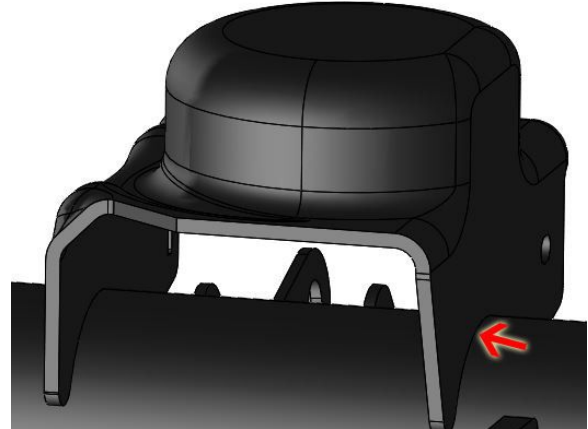
Park the Jeep on a level surface and remove the front axle coil springs.

Step 2:

Measure the location of the OEM buckets on the axle. Make a note of these measurements the Barnes 4WD Jeep JK front axle coil spring buckets will need to be located in the same location as the OEM buckets.

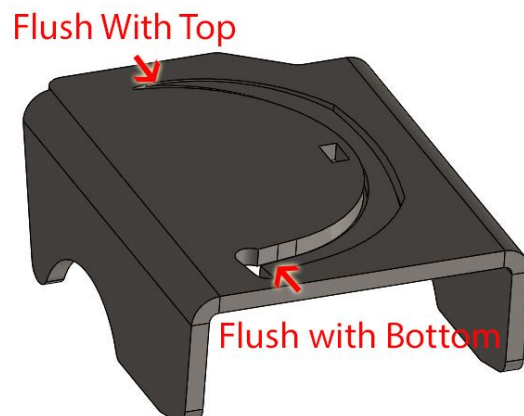
Step 3:

Using the proper cutting tool remove the OEM front axle coil spring buckets cutting in the locations shown below.



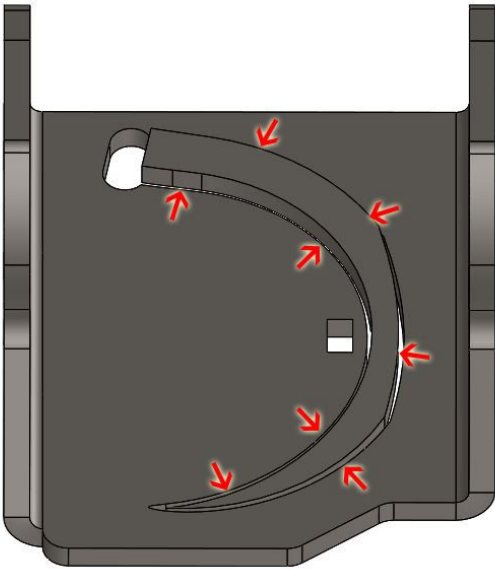
Step 4:

Assemble the coil spring base into the coil spring bucket as shown in the picture below. The pointed end of the base should be flush with the top of the bucket and the flat end of the base should be flush with the bottom of the bucket. (Note: B4W250485 is the drivers side bucket and B4W250487 is the passenger side bucket)



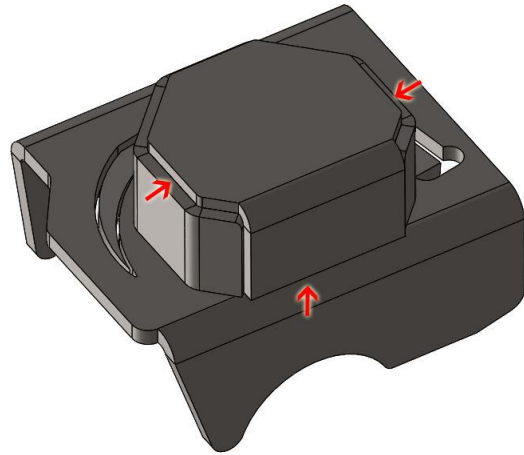
Step 5:

Weld the coil spring base to the bottom of the coil spring bracket. There is no need to fully weld all the way around the coil spring base. A ½" weld in all the location shown in the picture below is sufficient.



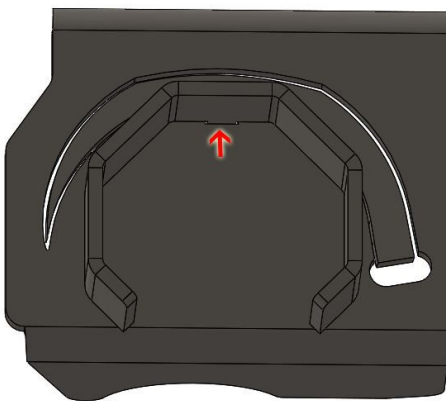
Step 7:

Place the coil spring center cap on the coil center as shown in the picture below and weld all the way around the center cap in the locations shown in the picture.



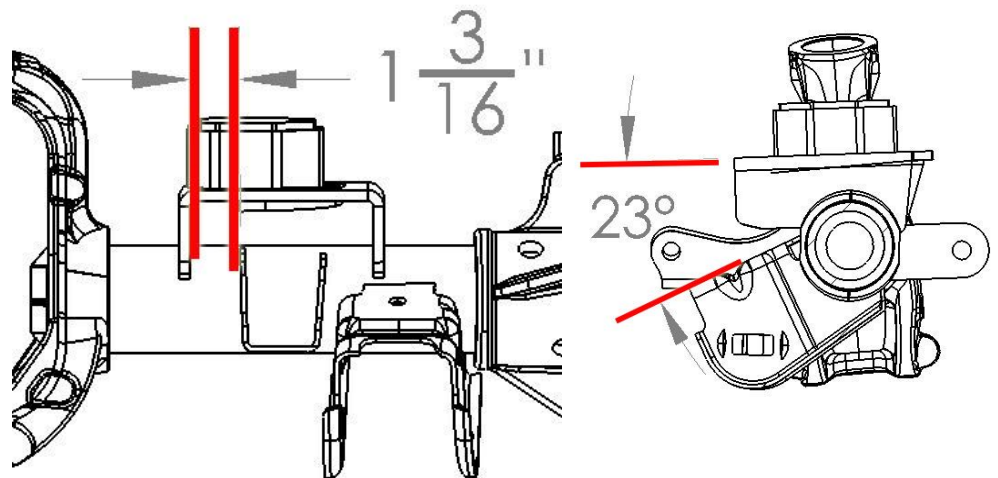
Step 6:

Assemble the coil spring center on the coil spring bucket as shown in the picture below and weld only the inside of the coil spring center to the coil spring bucket.



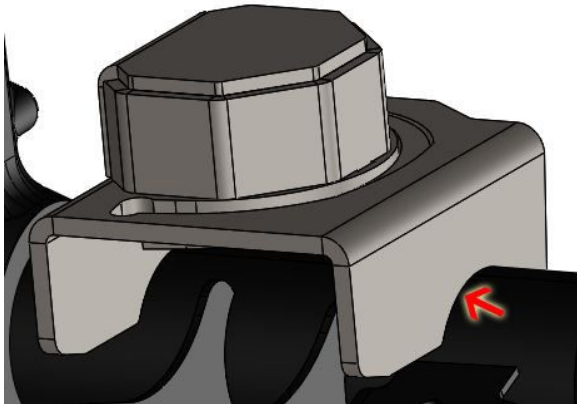
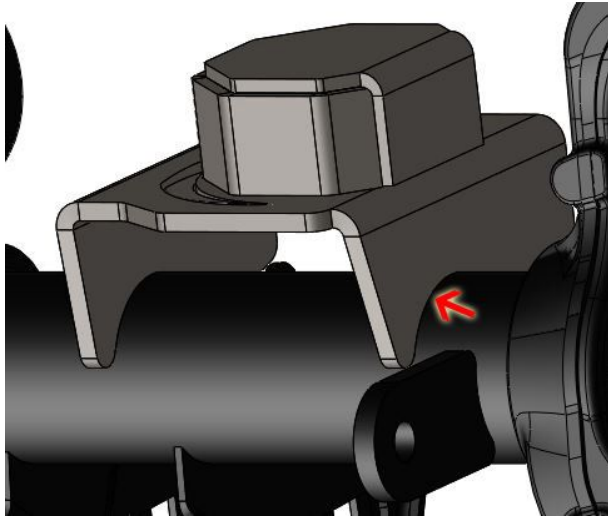
Step 8:

Place the new Barnes 4WD coil spring bucket fully assembled on the axle. Use the measurement from step 2 to locate the bucket. The bucket should be 1 3/16" from the outside of the OEM shock bracket as shown in the pictures below. The bracket should also be 23° off of the OEM lower control arm bracket.



Step 9:

Once the bucket is in the desired location tack weld into place. In the locations shown in the pictures below.



Step 10:

Test fit the coil spring in the coil spring bucket assembly. The coil spring should go in the groove on the coil spring bucket. As shown in the picture below. Fully Cycle the suspension to make sure there are no clearance issues.



Step 11:

Once the Coil spring bucket is in its desired location fully weld it to the axle in the locations it was tacked in step 9.

Step 12:

Repeat steps 2 through 11 on the opposite side of the jeep.

Congratulations! You have Completed Installation of your Barnes 4WD JEEP JK Front Axle Coil Spring Bucket.

Professional Services Disclaimer:

The content of all pages of this website (collectively, the "Website"), such as text, graphics, images, information and other material (collectively, "Content") is for informational purposes only. Any information furnished on this Website is not intended nor implied to be automotive advice and is not intended to replace personal consultation with a qualified automotive service technician, mechanic, or similar automotive professional.

Barnes 4WD has not examined the Content for accuracy, timeliness, completeness, appropriateness, or helpfulness. Barnes 4WD does not endorse any specific tests, products, procedures, opinions, or other information that may be mentioned on this Website. Your reliance upon information and Content obtained by you at or through this Website is solely at your own risk. IN NO EVENT SHALL BARNES 4WD BE LIABLE OR OTHERWISE RESPONSIBLE FOR ANY DAMAGE OR INJURY (INCLUDING DEATH) TO YOU, OTHER PERSONS, OR PROPERTY ARISING FROM ANY USE OF ANY PRODUCT, INFORMATION, IDEA, OR INSTRUCTION CONTAINED IN THE CONTENT.

BARNES 4WD DOES NOT MAKE ANY REPRESENTATION OR WARRANTY, EXPRESS OR IMPLIED, AT LAW OR IN EQUITY, WITH RESPECT TO ANY PRODUCT FEATURED ON THE WEBSITE, INCLUDING WITHOUT LIMITATION WITH RESPECT TO MERCHANTABILITY, FITNESS FOR ANY PARTICULAR PURPOSE, VALUE, VALIDITY, OR ENFORCEABILITY, AND ANY AND ALL SUCH OTHER REPRESENTATIONS OR WARRANTIES ARE HEREBY EXPRESSLY DISCLAIMED.