



Axis Bed Rack Hi Lift Mount Installation Instructions

Thank you for purchasing our Axis Bed Rack Hi Lift Mount!

Installation Notes:

- **All Hardware is stainless steel to prevent corrosion. Hardware will need installed by hand with antiseize to prevent galling.**
- While installing leave all hardware loose until the final step.
- The Hi-lift mounting brackets are designed to be used with the Barnes4wd Bed Rack
- These instructions assume that the base rack and side panels have been installed.
- Some of the hardware in the previous instructions may need to be loosened or removed during installation.
- Torque all 3/8" hardware to 19 Ft-Lbs

Tools required:

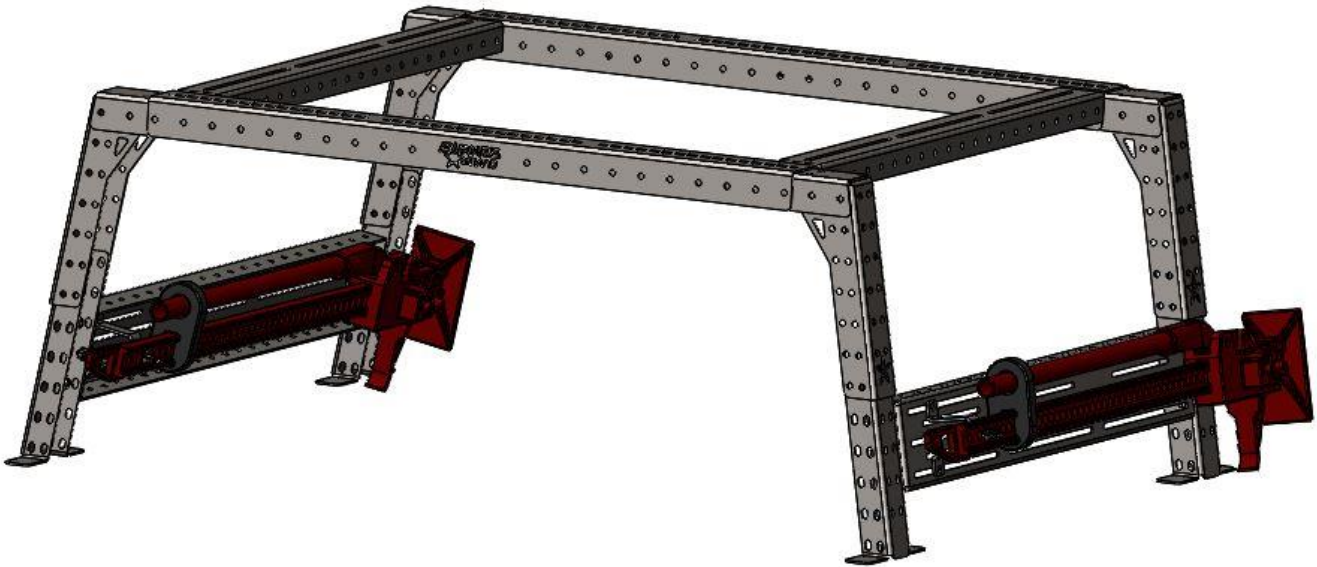
- 9/16" Wrench
- 7/32" Allen Socket
- 3/8" Driver Ratchet
- Antiseize

Contents of box

Bill of Materials for B4WK12627 Bed Rack Hi Lift Jack Mount Prepack		
QTY	Part Number	Description
2	B4W188833P	Bed Rack Hi Lift Jack Mount Powder Coated
2	50C175BCG5Z	1/2"-13 x 1-3/4" Carriage Bolt
2	50CNWIOZ	JT Bed Rack Front Passenger Mount Powder Coated
4	37C100KBCS	3/8"-16 X 1" Button Head Cap Screw Stainless
4	37CNNES	3/8"-16 Stainless Nylock Nut
4	37NWUSS	3/8" USS Flat Washer Stainless

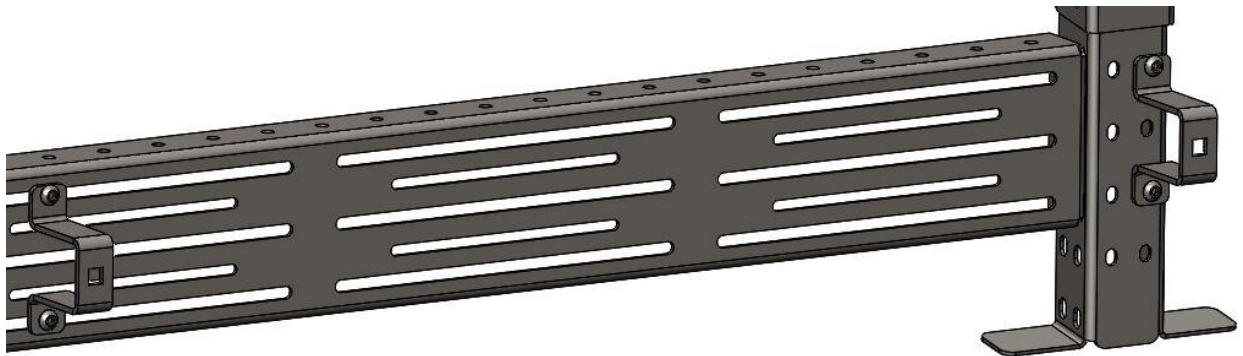
Step 1:

The Hi lift can be mounted inside the bed rack or outside as shown below. Determine the desired location and move to the next step.



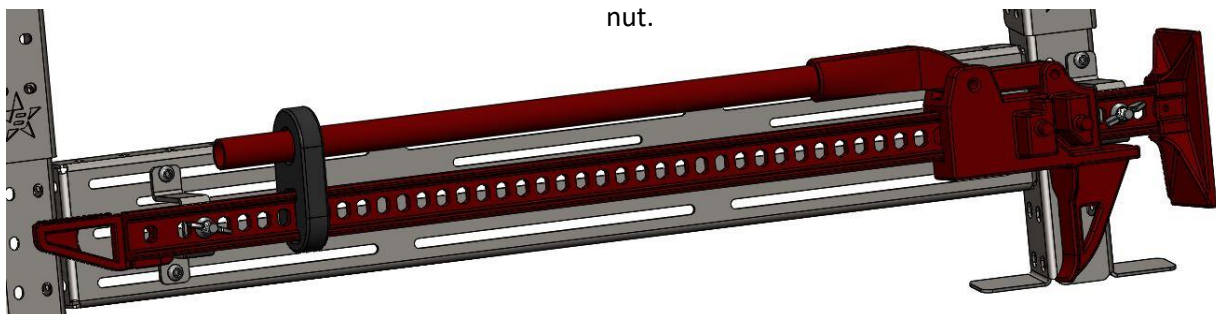
Step 2:

Install the Hi lift mounts in their desired location as shown below with the provided 3/8" hardware.



Step 3:

Install the 1/2" carriage head bolt from the inside of the of the mount and install the washer and wing nut.



Step 4:

Tighten all hardware

Congratulations! You Have finished the installation of the Barnes4wd Axis Bed Rack Hi Lift Mount

Professional Services Disclaimer:

The content of all pages of this website (collectively, the "Website"), such as text, graphics, images, information and other material (collectively, "Content") is for informational purposes only. Any information furnished on this Website is not intended nor implied to be automotive advice and is not intended to replace personal consultation with a qualified automotive service technician, mechanic, or similar automotive professional.

Barnes 4WD has not examined the Content for accuracy, timeliness, completeness, appropriateness, or helpfulness. Barnes 4WD does not endorse any specific tests, products, procedures, opinions, or other information that may be mentioned on this Website. Your reliance upon information and Content obtained by you at or through this Website is solely at your own risk. IN NO EVENT SHALL BARNES 4WD BE LIABLE OR OTHERWISE RESPONSIBLE FOR ANY DAMAGE OR INJURY (INCLUDING DEATH) TO YOU, OTHER PERSONS, OR PROPERTY ARISING FROM ANY USE OF ANY PRODUCT, INFORMATION, IDEA, OR INSTRUCTION CONTAINED IN THE CONTENT.

BARNES 4WD DOES NOT MAKE ANY REPRESENTATION OR WARRANTY, EXPRESS OR IMPLIED, AT LAW OR IN EQUITY, WITH RESPECT TO ANY PRODUCT FEATURED ON THE WEBSITE, INCLUDING WITHOUT LIMITATION WITH RESPECT TO MERCHANTABILITY, FITNESS FOR ANY PARTICULAR PURPOSE, VALUE, VALIDITY, OR ENFORCEABILITY, AND ANY AND ALL SUCH OTHER REPRESENTATIONS OR WARRANTIES ARE HEREBY EXPRESSLY DISCLAIMED.