



Dana M220 Rear Differential Skid Plate Installation Instructions

Thank you for purchasing our Dana M220 Rear Differential Skid Plate!

Installation Notes:

- The skid plate is designed to fit a Dana M220 rear axle.
- This skid is designed to only fit with the factory differential cover.
- Fitment:
 - 2018-Current Jeep JL Rubicon
 - 2020-Current Jeep JT
 - 2021-Current Bronco

Tools required:

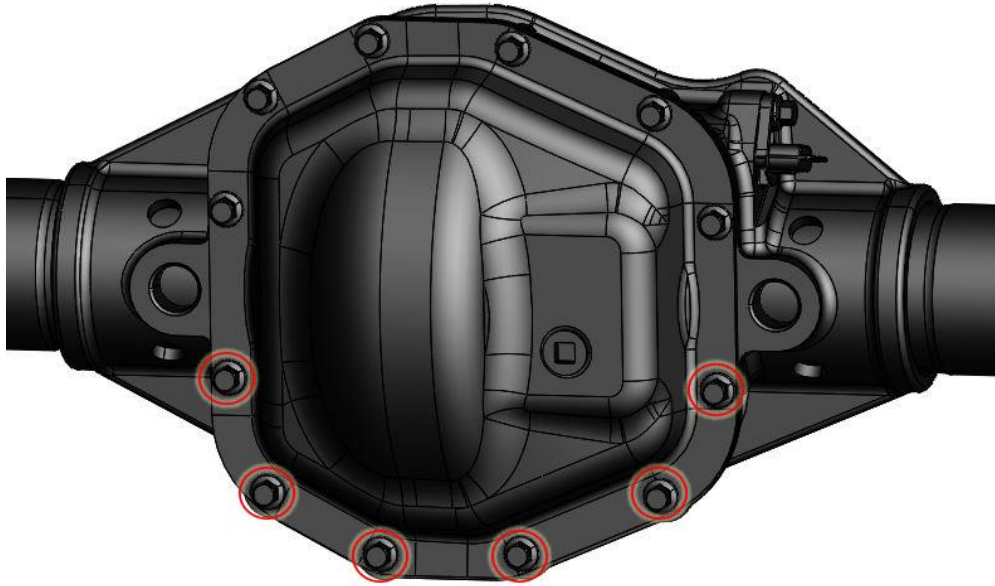
- 10MM Socket
- 13MM Socket
- 9/16" Wrench
- Ratchet

Contents of each box

Bill Of Materials for B4WK12802D		
QTY	Part Number	Description
1	B4WK12800P	M220 Rear Axle Skid Assembly Powder Coated
1	B4WK12801P	M220 Rear Axle Skid Strap Powder Coated
4	37C100HCS8Y	3/8"-16X1" Hex Head Grade 8
4	37NWSAFY	3/8 SAE Washer Yellow Zinc
6	.80C250BHF1M/6921	M8-1.25X25 Hex Flange Bolt

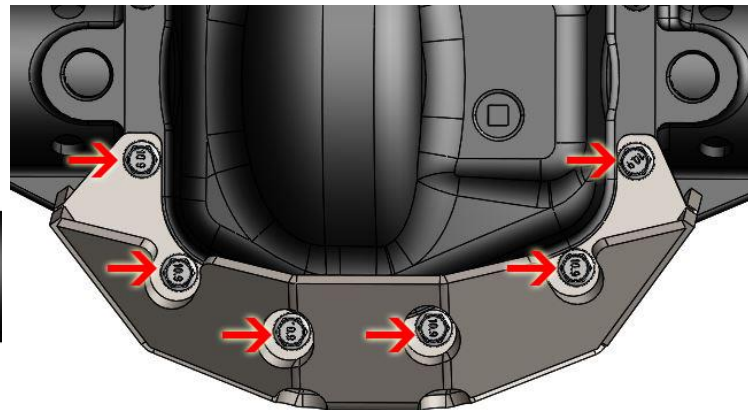
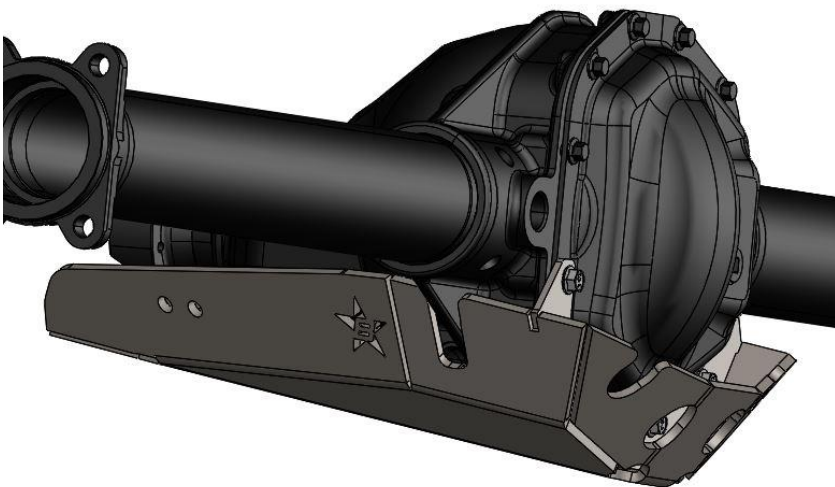
Step 1:

Park the vehicle on a level surface and remove the 6 diff cover bolts in the lower half of the differential.



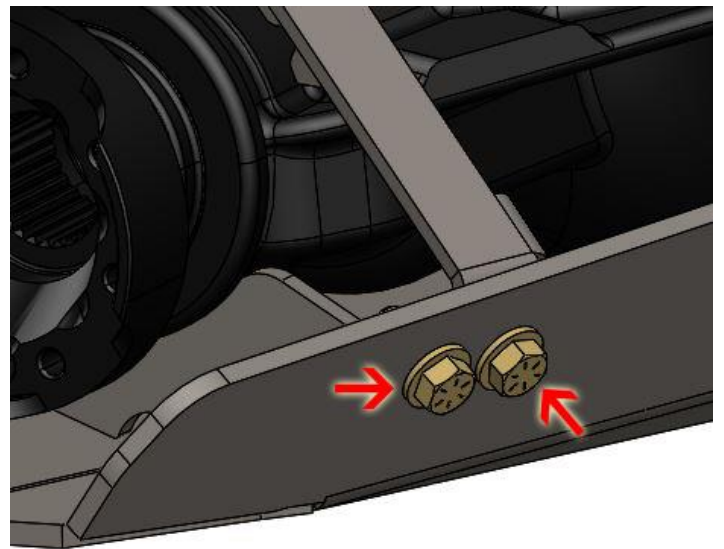
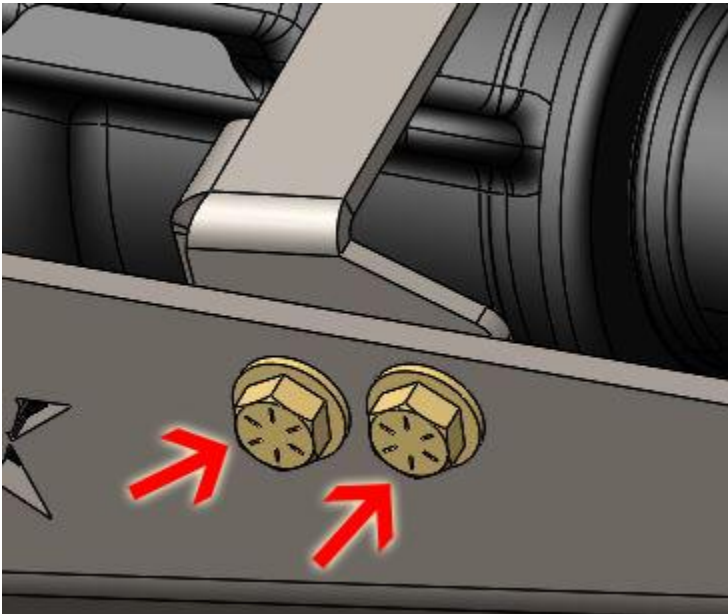
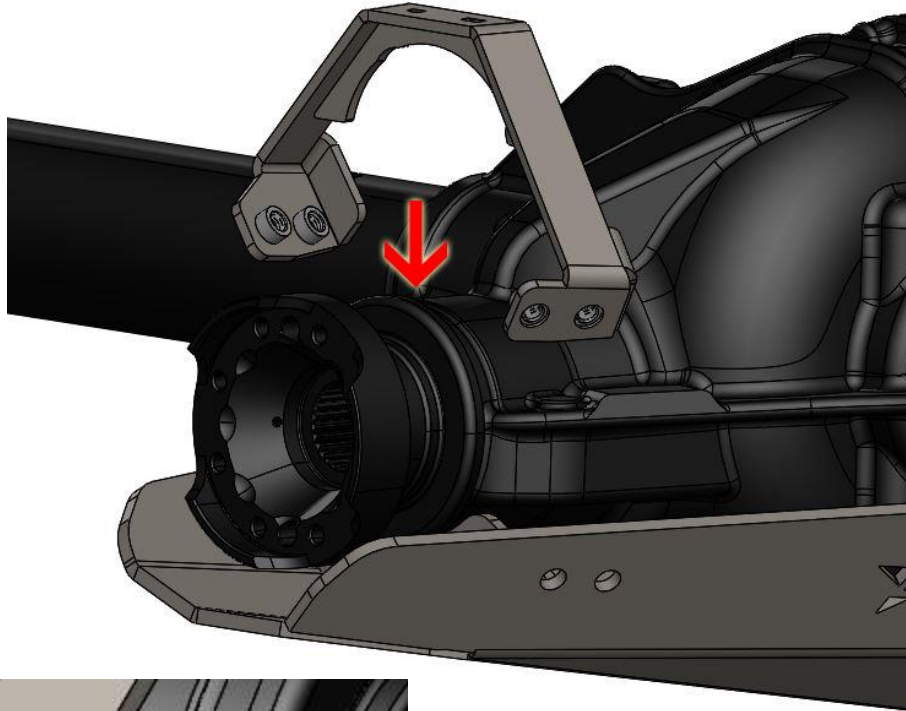
Step 2:

Place the skid assembly onto the axle as shown below and install the supplied M8 hardware leave loose until final step.



Step 3:

Install the strap over the differential as shown below and install the supplied 3/8" hardware leave loose until last step.



Step 4:

Torque diff cover bolts to 26 Ft/lbs

Torque 3/8" bolts to 37 ft/lbs

Congratulations! You Have finished the installation of the Barnes4wd Dana M220 Rear Differential Skid Plate

Professional Services Disclaimer:

The content of all pages of this website (collectively, the "Website"), such as text, graphics, images, information and other material (collectively, "Content") is for informational purposes only. Any information furnished on this Website is not intended nor implied to be automotive advice and is not intended to replace personal consultation with a qualified automotive service technician, mechanic, or similar automotive professional.

Barnes 4WD has not examined the Content for accuracy, timeliness, completeness, appropriateness, or helpfulness. Barnes 4WD does not endorse any specific tests, products, procedures, opinions, or other information that may be mentioned on this Website. Your reliance upon information and Content obtained by you at or through this Website is solely at your own risk. IN NO EVENT SHALL BARNES 4WD BE LIABLE OR OTHERWISE RESPONSIBLE FOR ANY DAMAGE OR INJURY (INCLUDING DEATH) TO YOU, OTHER PERSONS, OR PROPERTY ARISING FROM ANY USE OF ANY PRODUCT, INFORMATION, IDEA, OR INSTRUCTION CONTAINED IN THE CONTENT.

BARNES 4WD DOES NOT MAKE ANY REPRESENTATION OR WARRANTY, EXPRESS OR IMPLIED, AT LAW OR IN EQUITY, WITH RESPECT TO ANY PRODUCT FEATURED ON THE WEBSITE, INCLUDING WITHOUT LIMITATION WITH RESPECT TO MERCHANTABILITY, FITNESS FOR ANY PARTICULAR PURPOSE, VALUE, VALIDITY, OR ENFORCEABILITY, AND ANY AND ALL SUCH OTHER REPRESENTATIONS OR WARRANTIES ARE HEREBY EXPRESSLY DISCLAIMED.