



TJ, LJ, ZJ, Cam Bolt Delete Kit Installation Instructions

Thank you for purchasing our TJ, LJ, ZJ, Cam Bolt Delete Kit!

Installation Notes:

- This kit is used to eliminate the factory cam bolts on the front lower control arms. Adjustable control arms are highly recommended to retain the ability to adjust caster.
- The cam plates in this kit are bare steel and will need to be painted or powder coated during installation.
- This kit is designed to be used on the following models 1997-2006 Jeep Wrangler TJ, 2005-2006 Jeep Wrangler LJ, and 1993-1998 Jeep Grand Cherokee ZJ.

Tools required:

- Various hand tools

Contents of kit

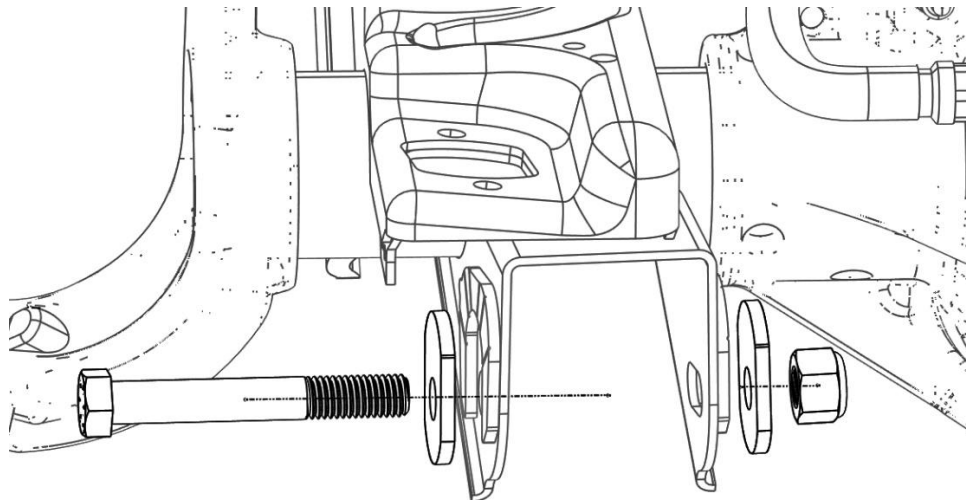
| Bill Of Materials For (BOM Part# and Description) | | | |
|---|-------------|-------------|-----------------------------------|
| QTY | Part Number | Etch Number | Description |
| 4 | B4W188774 | 774 | TJ, LJ, ZJ, Cam Delete Plate |
| 2 | 56C400HCS8Y | NA | 9/16-12x4 ZY J429 8 HEX CAP SCREW |
| 2 | 56CNNE0Y/GC | NA | 9/16-12 NYLOCK |

Step1:

Remove the OEM bolt, nut, and cam plates from the driver's side axle lower control arm bracket.

Step 2:

Install the provided cam delete plates, bolt and nut as shown in the image below. The cam delete plates should fit inside of the “horseshoe” shaped piece on the side of the control arm mount and sit flat on the side of the mount when installed correctly. Torque hardware to 115 Ft-Lbs.



Step 3:

Repeat steps 1 and 2 for the passenger side.

Professional Services Disclaimer:

The content of all pages of this website (collectively, the “Website”), such as text, graphics, images, information and other material (collectively, “Content”) is for informational purposes only. Any information furnished on this Website is not intended nor implied to be automotive advice and is not intended to replace personal consultation with a qualified automotive service technician, mechanic, or similar automotive professional.

Barnes 4WD has not examined the Content for accuracy, timeliness, completeness, appropriateness, or helpfulness. Barnes 4WD does not endorse any specific tests, products, procedures, opinions, or other information that may be mentioned on this Website. Your reliance upon information and Content obtained by you at or through this Website is solely at your own risk. IN NO EVENT SHALL BARNES 4WD BE LIABLE OR OTHERWISE RESPONSIBLE FOR ANY DAMAGE OR INJURY (INCLUDING DEATH) TO YOU, OTHER PERSONS, OR PROPERTY ARISING FROM ANY USE OF ANY PRODUCT, INFORMATION, IDEA, OR INSTRUCTION CONTAINED IN THE CONTENT.

BARNES 4WD DOES NOT MAKE ANY REPRESENTATION OR WARRANTY, EXPRESS OR IMPLIED, AT LAW OR IN EQUITY, WITH RESPECT TO ANY PRODUCT FEATURED ON THE WEBSITE, INCLUDING WITHOUT LIMITATION WITH RESPECT TO MERCHANTABILITY, FITNESS FOR ANY PARTICULAR PURPOSE, VALUE, VALIDITY, OR ENFORCEABILITY, AND ANY AND ALL SUCH OTHER REPRESENTATIONS OR WARRANTIES ARE HEREBY EXPRESSLY DISCLAIMED.