



Bronco Rear Frame Lower Control Arm Brackets Installation Instructions

Thank you for purchasing our Bronco Rear Frame Lower Control Arm Brackets!

Installation Notes:

- These brackets are designed to fit a 2021-Current Bronco
- These brackets will not fit a Bronco Sport
- Removal of the factory brackets is required for installation.
- Refer to your factory service manual on removal of any factory components.

Tools required:

- Proper Cutting Tool (Grinder, Plasm Cutter, Torch)
- Welder with at least .25" Capabilities
- Tape Measure
- 24MM Socket
- Ratchet

Contents of box

Bill Of Materials for B4WK12707			
QTY	Part Number	Etch Number	Description
1	B4W250944	944B	Bronco Rear Frame LCA Bracket Driver
1	B4W250943	943B	Bronco Rear Frame LCA Bracket Passenger

Step 1:

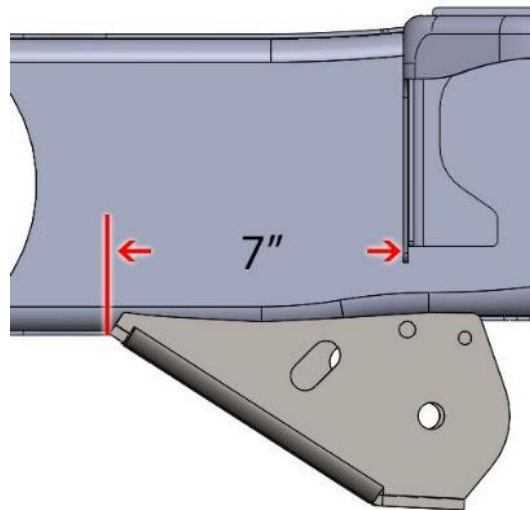
Park the Bronco on a level surface, support the chassis and remove the rear lower control arms at the frame.

Step 2:

Locate the rear frame lower control arm bracket and remove it with a proper cutting tool.

Step 3:

Place the Barnes4wd lower control arm bracket onto the frame, the mount should be 7" from the rear body mount as shown below.



Step 4:

Fully weld the bracket to together and to the frame

Step 5:

Repeat steps 2 through 4 on the opposite side of the vehicle.

Step 6:

Reinstall the lower control arms into the brackets.

**Congratulations! You Have finished the installation of the Barnes 4wd
Bronco Rear Lower Control Arm Brackets.**

Professional Services Disclaimer:

The content of all pages of this website (collectively, the "Website"), such as text, graphics, images, information and other material (collectively, "Content") is for informational purposes only. Any information furnished on this Website is not intended nor implied to be automotive advice and is not intended to replace personal consultation with a qualified automotive service technician, mechanic, or similar automotive professional.

Barnes 4WD has not examined the Content for accuracy, timeliness, completeness, appropriateness, or helpfulness. Barnes 4WD does not endorse any specific tests, products, procedures, opinions, or other information that may be mentioned on this Website. Your reliance upon information and Content obtained by you at or through this Website is solely at your own risk. IN NO EVENT SHALL BARNES 4WD BE LIABLE OR OTHERWISE RESPONSIBLE FOR ANY DAMAGE OR INJURY (INCLUDING DEATH) TO YOU, OTHER PERSONS, OR PROPERTY ARISING FROM ANY USE OF ANY PRODUCT, INFORMATION, IDEA, OR INSTRUCTION CONTAINED IN THE CONTENT.

BARNES 4WD DOES NOT MAKE ANY REPRESENTATION OR WARRANTY, EXPRESS OR IMPLIED, AT LAW OR IN EQUITY, WITH RESPECT TO ANY PRODUCT FEATURED ON THE WEBSITE, INCLUDING WITHOUT LIMITATION WITH RESPECT TO MERCHANTABILITY, FITNESS FOR ANY PARTICULAR PURPOSE, VALUE, VALIDITY, OR ENFORCEABILITY, AND ANY AND ALL SUCH OTHER REPRESENTATIONS OR WARRANTIES ARE HEREBY EXPRESSLY DISCLAIMED.