



## Bronco Rear Axle Trackbar Bracket Installation Instructions

Thank you for purchasing our Bronco Rear Axle Trackbar Bracket!

### Installation Notes:

- This bracket is designed to fit a 2021-Current Bronco
- This bracket will not fit a Bronco Sport
- Removal of the factory bracket is required for installation.
- Refer to your factory service manual on removal of any factory components.

### Tools required:

- Proper Cutting Tool (Grinder, Plasma Cutter, Torch)
- Welder with at least .25" Capabilities
- Tape Measure
- Angle Finder
- 24MM Socket
- 24MM Wrench
- 10MM Socket
- 13MM Wrench
- Ratchet

## Contents of box

Bill Of Materials for B4WK12705			
QTY	Part Number	Etch Number	Description
1	B4W250938	938B	Bronco Rear Axle Trackbar Bracket
1	.80CNFH0Z/934	NA	M8X1.25 hex nut class 8 zinc

### Step 1:

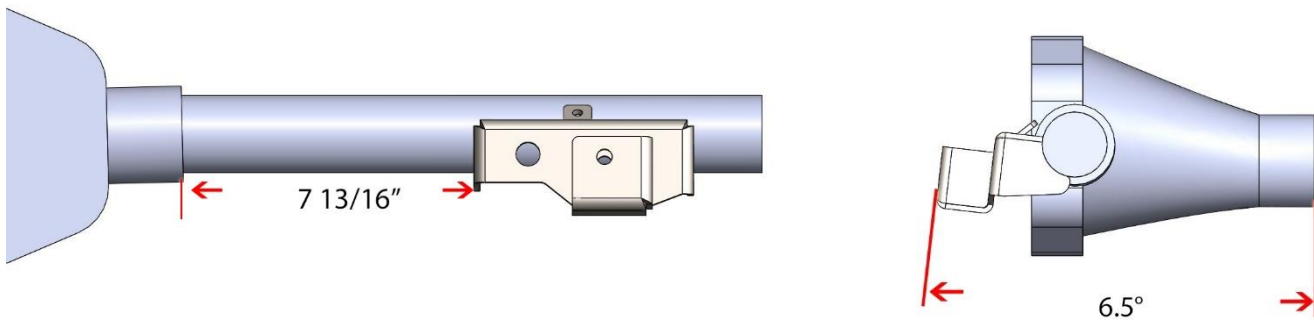
Park the Bronco on a level surface and remove the rear trackbar at the axle and any brackets connected to the trackbar bracket.

### Step 2:

Locate the rear axle trackbar bracket and remove it with a proper cutting tool.

### Step 3:

Place the Barnes4wd trackbar mount onto the axle the mount should be  $7 \frac{13}{16}$ " from the flange of the center section as shown below. The back face of the bracket should be  $6.5^\circ$  off the pinion.



### Step 4:

Fully weld the bracket together and to the axle.

### Step 5:

Reinstall the track bar into the bracket. Install any brackets that were connected to the factory track bar bracket using the supplied hardware.

## **Congratulations! You Have finished the installation of the Barnes4wd Bronco Rear Trackbar Bracket.**

#### Professional Services Disclaimer:

The content of all pages of this website (collectively, the "Website"), such as text, graphics, images, information and other material (collectively, "Content") is for informational purposes only. Any information furnished on this Website is not intended nor implied to be automotive advice and is not intended to replace personal consultation with a qualified automotive service technician, mechanic, or similar automotive professional.

Barnes 4WD has not examined the Content for accuracy, timeliness, completeness, appropriateness, or helpfulness. Barnes 4WD does not endorse any specific tests, products, procedures, opinions, or other information that may be mentioned on this Website. Your reliance upon information and Content obtained by you at or through this Website is solely at your own risk. IN NO EVENT SHALL BARNES 4WD BE LIABLE OR OTHERWISE RESPONSIBLE FOR ANY DAMAGE OR INJURY (INCLUDING DEATH) TO YOU, OTHER PERSONS, OR PROPERTY ARISING FROM ANY USE OF ANY PRODUCT, INFORMATION, IDEA, OR INSTRUCTION CONTAINED IN THE CONTENT.

BARNES 4WD DOES NOT MAKE ANY REPRESENTATION OR WARRANTY, EXPRESS OR IMPLIED, AT LAW OR IN EQUITY, WITH RESPECT TO ANY PRODUCT FEATURED ON THE WEBSITE, INCLUDING WITHOUT LIMITATION WITH RESPECT TO MERCHANTABILITY, FITNESS FOR ANY PARTICULAR PURPOSE, VALUE, VALIDITY, OR ENFORCEABILITY, AND ANY AND ALL SUCH OTHER REPRESENTATIONS OR WARRANTIES ARE HEREBY EXPRESSLY DISCLAIMED.