



Bronco Rear Axle Strut Mount Installation Instructions

Thank you for purchasing our Bronco Rear Axle Strut Mount!

Installation Notes:

- The brackets are designed to fit a 2021-Current Bronco
- These brackets will not fit a Bronco Sport
- Removal of the factory brackets are required for installation.
- Refer to your factory service manual on removal of any factory components.

Tools required:

- Proper Cutting Tool (Grinder, Plasm Cutter, Torch)
- Welder with at least .25" Capabilities
- Tape Measure
- Angle Finder
- 27MM Socket
- Ratchet

Contents of box

Bill Of Materials for B4WK12704			
QTY	Part Number	Etch Number	Description
1	B4W250939	939B	Bronco Rear Axle Passenger Shock Bracket
1	B4W250940	940B	Bronco Rear Axle Driver Shock Bracket
2	B4W125126	126B	Bronco Rear Axle Shock Bracket Tab

Step 1:

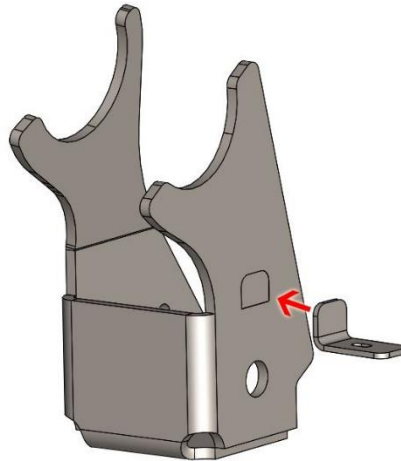
Park the Bronco on a level surface and remove the rear struts at the axle.

Step 2:

Locate the rear strut mount and remove it with a proper cutting tool.

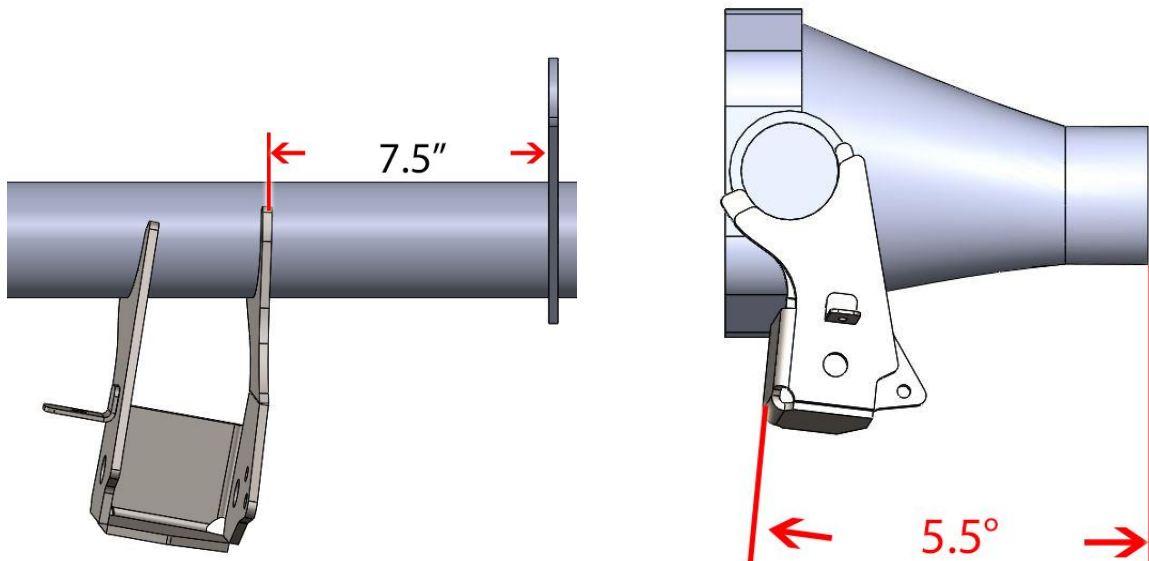
Step 3:

Weld the tab to the main bracket as shown below.



Step 4:

Place the Barnes4wd strut mount onto the axle the mount should be 7.5" from the upper control arm mount as shown below. The back face of the bracket should be 5.5° off the pinion.



Step 5:

Fully weld the bracket together and to the axle.

Step 6:

Repeat steps 2 through 5 on the opposite side of the Bronco.

Congratulations! You Have finished the installation of the Barnes 4wd Bronco Rear Axle Strut Mount.

Professional Services Disclaimer:

The content of all pages of this website (collectively, the "Website"), such as text, graphics, images, information and other material (collectively, "Content") is for informational purposes only. Any information furnished on this Website is not intended nor implied to be automotive advice and is not intended to replace personal consultation with a qualified automotive service technician, mechanic, or similar automotive professional.

Barnes 4WD has not examined the Content for accuracy, timeliness, completeness, appropriateness, or helpfulness. Barnes 4WD does not endorse any specific tests, products, procedures, opinions, or other information that may be mentioned on this Website. Your reliance upon information and Content obtained by you at or through this Website is solely at your own risk. IN NO EVENT SHALL BARNES 4WD BE LIABLE OR OTHERWISE RESPONSIBLE FOR ANY DAMAGE OR INJURY (INCLUDING DEATH) TO YOU, OTHER PERSONS, OR PROPERTY ARISING FROM ANY USE OF ANY PRODUCT, INFORMATION, IDEA, OR INSTRUCTION CONTAINED IN THE CONTENT.

BARNES 4WD DOES NOT MAKE ANY REPRESENTATION OR WARRANTY, EXPRESS OR IMPLIED, AT LAW OR IN EQUITY, WITH RESPECT TO ANY PRODUCT FEATURED ON THE WEBSITE, INCLUDING WITHOUT LIMITATION WITH RESPECT TO MERCHANTABILITY, FITNESS FOR ANY PARTICULAR PURPOSE, VALUE, VALIDITY, OR ENFORCEABILITY, AND ANY AND ALL SUCH OTHER REPRESENTATIONS OR WARRANTIES ARE HEREBY EXPRESSLY DISCLAIMED.