



Bronco Pritchett Canyon Rear Bumper Installation Instructions

Thank you for purchasing this product!

Installation Notes:

- This bumper is designed to fit a 2021-current Ford Bronco
- Refer to your factory service manual for removal of any factory components.
- It is recommended to test all components for proper fitment, before painting or powder coating.
- The bumper will not accommodate your rear parking sensors. If the vehicle is equipped with parking sensors, they will need to be turned off or relocated.

Tools required:

- Ratchet and Socket set
- Combination Wrench set
- Standard allen wrench set

Contents of box

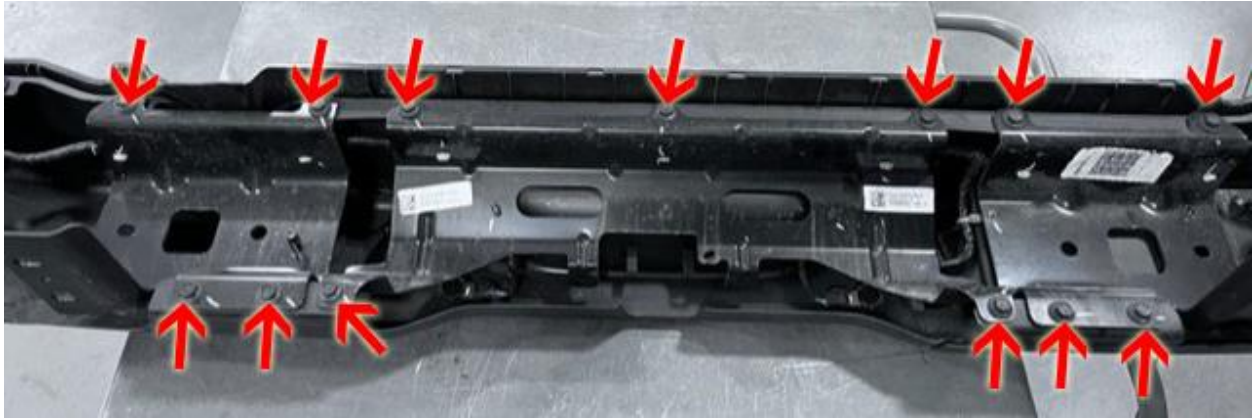
Bill Of Materials for B4WK12832		
QTY	Part Number	Description
1	B4WK12831	Bronco Rear Bumper Welded Assembly
2	50CNNE0Y/GC	1/2"-13 Nylon Lock Nut
2	50C150HCS8Y	1/2"-13 X 1-1/2" Hex Head Bolt Yellow
4	50NWSAFY	1/2" SAE Flat Washer Yellow Zinc
4	98550A108	Nylon Snap in Nut #10 Screw Panel THK .064-.187 .38 Square Hole
4	90380A248	#10-3/4" Round Head Thread Forming Screw

Step 1:

Remove your factory rear bumper and hardware. Due to the variations in factory rear bumpers, it is recommended to consult the factory service manual for your particular model for proper procedure.

Step 2:

Remove the bolts from the rear bumper to remove the wiring harness and tag light.



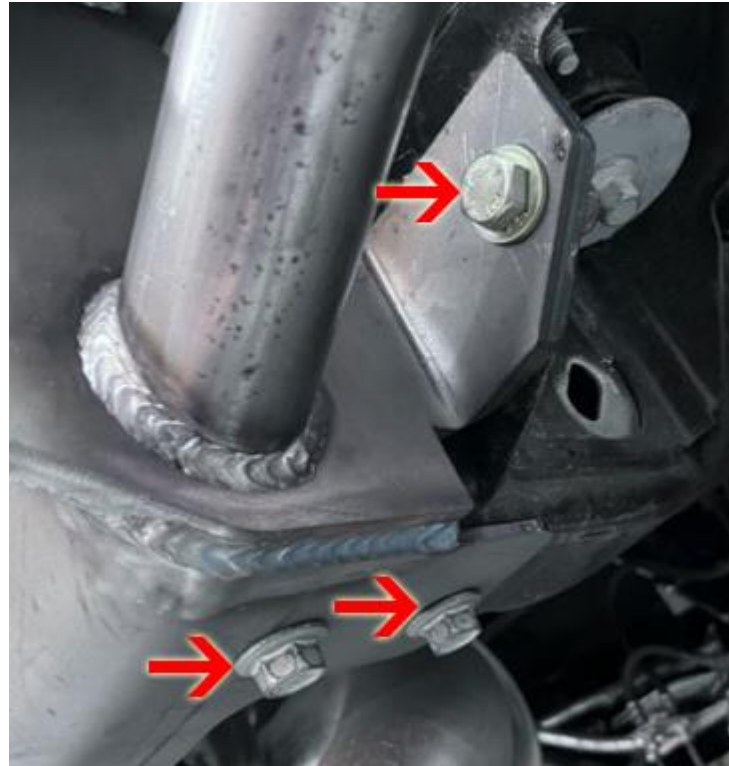
Step 3:

Install the tag light into the Barnes4wd bumper through the hole in the bumper as shown below. Securely mount the wiring harness.



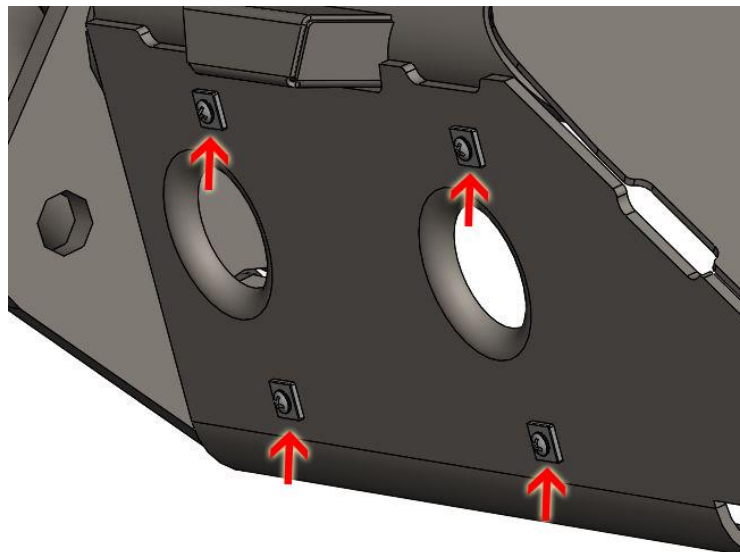
Step 4:

Place the new bumper on the Bronco. Install the 4 bolts removed from the bottom of the factory bumper. Install the 2 supplied $\frac{1}{2}$ " hardware through the bumper into the frame.



Step 5:

Install the supplied snap in nuts into the square holes in the bumper and install your tag with the supplied #10 screws.



Step 6:

Ensure that all hardware is tight. Re-tighten all hardware 500 miles after installation. Check hardware for tightness after every 3000 miles.

Congratulations you have now completed the installation of your Bronco Rear Tube Bumper!

Professional Services Disclaimer:

The content of all pages of this website (collectively, the "Website"), such as text, graphics, images, information and other material (collectively, "Content") is for informational purposes only. Any information furnished on this Website is not intended nor implied to be automotive advice and is not intended to replace personal consultation with a qualified automotive service technician, mechanic, or similar automotive professional.

Barnes 4WD has not examined the Content for accuracy, timeliness, completeness, appropriateness, or helpfulness. Barnes 4WD does not endorse any specific tests, products, procedures, opinions, or other information that may be mentioned on this Website. Your reliance upon information and Content obtained by you at or through this Website is solely at your own risk. IN NO EVENT SHALL BARNES 4WD BE LIABLE OR OTHERWISE RESPONSIBLE FOR ANY DAMAGE OR INJURY (INCLUDING DEATH) TO YOU, OTHER PERSONS, OR PROPERTY ARISING FROM ANY USE OF ANY PRODUCT, INFORMATION, IDEA, OR INSTRUCTION CONTAINED IN THE CONTENT.

BARNES 4WD DOES NOT MAKE ANY REPRESENTATION OR WARRANTY, EXPRESS OR IMPLIED, AT LAW OR IN EQUITY, WITH RESPECT TO ANY PRODUCT FEATURED ON THE WEBSITE, INCLUDING WITHOUT LIMITATION WITH RESPECT TO MERCHANTABILITY, FITNESS FOR ANY PARTICULAR PURPOSE, VALUE, VALIDITY, OR ENFORCEABILITY, AND ANY AND ALL SUCH OTHER REPRESENTATIONS OR WARRANTIES ARE HEREBY EXPRESSLY DISCLAIMED.