



## Bronco Pritchett Canyon Front Bumper Installation Instructions

Thank you for purchasing this product!

### Installation Notes:

- This bumper is designed to fit a 2021-current Ford Bronco
- Refer to your factory service manual for removal of any factory components.
- This bumper is designed to be used with the Warn Zenon series winch or Badlands Apex winch. Other winches with a 10"x4.5" bolt pattern may fit but have not been tested.
- This bumper will not accommodate your factory fog lights. Holes have been added to the top of the bumper to accommodate aftermarket lights.
- It is recommended to test all components for proper fitment, before painting or powder coating.
- The bumper will not accommodate your front parking sensors. If the vehicle is equipped with parking sensors, they will need to be turned off.
- If the vehicle is equipped with adaptive cruise control it will need to be relocated.

### Tools required:

- Ratchet and Socket set
- Combination Wrench set
- Standard allen wrench set

## Possible Kit Combinations

| Qty | Kit Part Number | Kit Description                    |
|-----|-----------------|------------------------------------|
| 1   | B4WK12828       | Bronco Front Bumper                |
| 1   | B4WK12830       | Bronco Front Bumper Lower Skid Kit |

## Contents of each box

| Bill Of Materials for B4WK12828 |             |                                     |
|---------------------------------|-------------|-------------------------------------|
| QTY                             | Part Number | Description                         |
| 1                               | B4WK12827   | Bronco Front Bumper Welded Assembly |
| 6                               | 43CNNE0Y/GC | 7/16-14 NYLOCK                      |
| 6                               | 43NWUS0Z    | 7/16 USS Flat Washer Clear Zinc     |

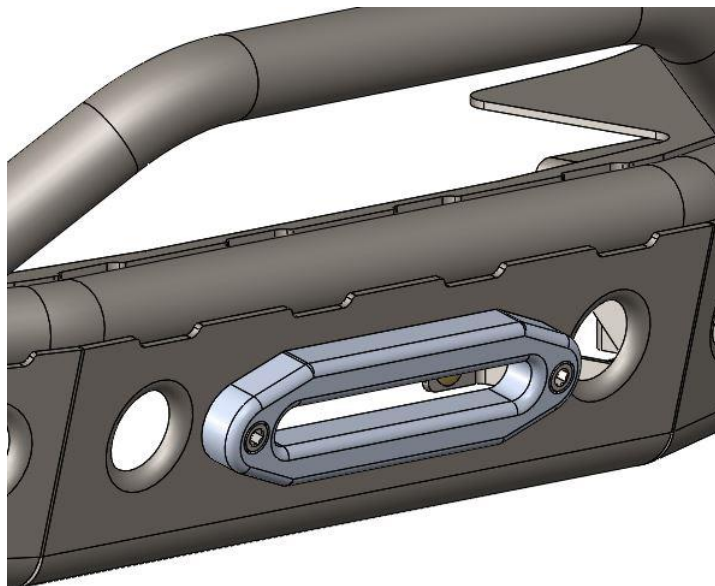
| Bill Of Materials for B4WK12830 |                    |  |
|---------------------------------|--------------------|--|
| QTY                             | Part Number        | Description                                |
| 1                               | B4WK12829          | Bronco Front Bumper Welded Assembly        |
| 5                               | .100C400KFC/A27991 | M10-1.5X40 Flat Socket Cap Screw Stainless |
| 2                               | .100C350BHF0Y/6921 | M10-1.5 x 35mm Hex Flange Bolt Yellow Zinc |

### Step 1:

Remove your factory front bumper and hardware. Due to the variations in factory front bumpers, it is recommended to consult the factory service manual for your particular model for proper procedure.

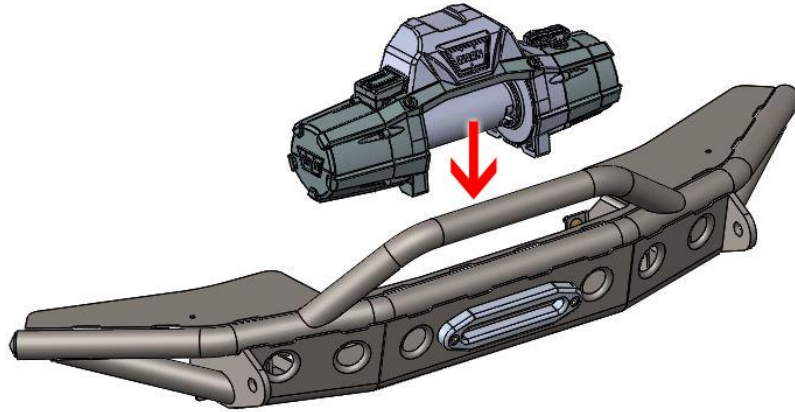
### Step 2:

Install the winch fairlead on the new bumper now, with the hardware provided with your fairlead.



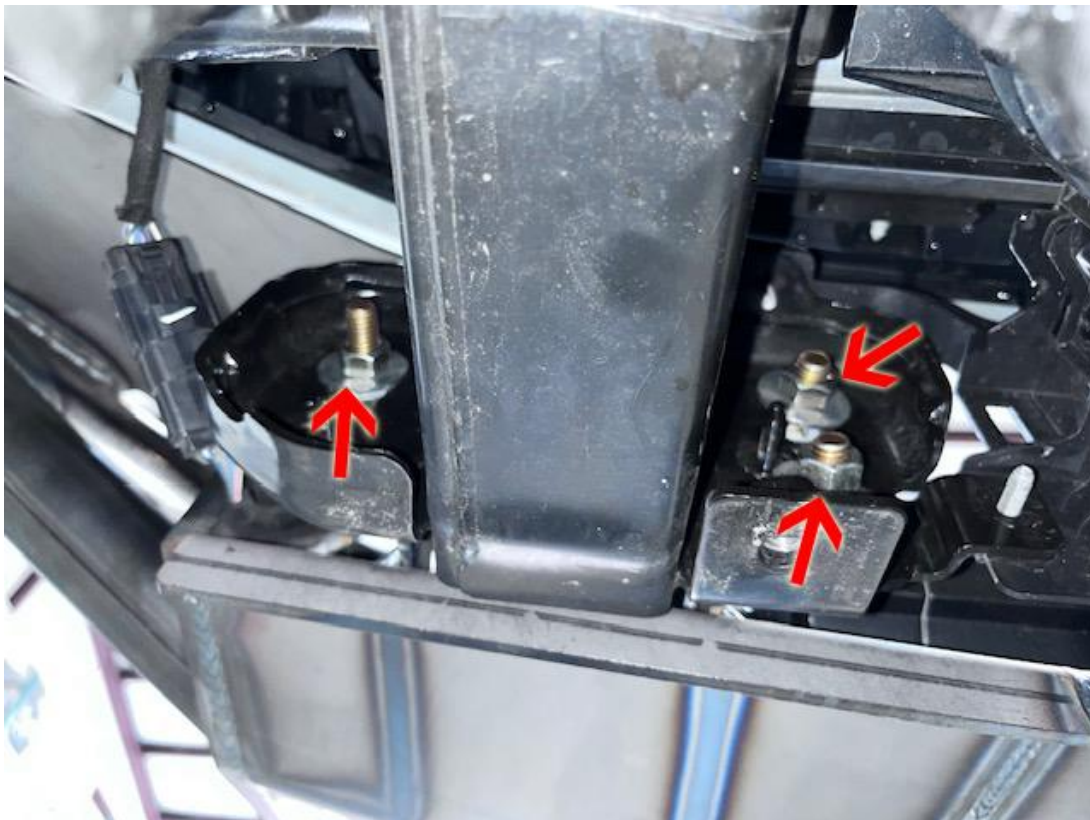
### Step 3:

Place the winch into the bumper and install its supplied hardware.



### Step 4:

Place the new bumper on the Bronco. Line the 6 studs in the bumper up with the 6 holes in the flanges on the front of the frame. Install the provided 6 flat washers and nuts on the studs and tighten hardware.



## Step 5:

Install the lower skid plate, using its supplied hardware as shown below. Depending on what model Bronco you have, the lower middle hole may not be used.



## Step 6:

Ensure that all hardware is tight. Re-tighten all hardware 500 miles after installation. Check hardware for tightness after every 3000 miles.

# Congratulations you have now completed the installation of your Bronco Front Tube Bumper!

### Professional Services Disclaimer:

The content of all pages of this website (collectively, the "Website"), such as text, graphics, images, information and other material (collectively, "Content") is for informational purposes only. Any information furnished on this Website is not intended nor implied to be automotive advice and is not intended to replace personal consultation with a qualified automotive service technician, mechanic, or similar automotive professional.

Barnes 4WD has not examined the Content for accuracy, timeliness, completeness, appropriateness, or helpfulness. Barnes 4WD does not endorse any specific tests, products, procedures, opinions, or other information that may be mentioned on this Website. Your reliance upon information and Content obtained by you at or through this Website is solely at your own risk. IN NO EVENT SHALL BARNES 4WD BE LIABLE OR OTHERWISE RESPONSIBLE FOR ANY DAMAGE OR INJURY (INCLUDING DEATH) TO YOU, OTHER PERSONS, OR PROPERTY ARISING FROM ANY USE OF ANY PRODUCT, INFORMATION, IDEA, OR INSTRUCTION CONTAINED IN THE CONTENT.

BARNES 4WD DOES NOT MAKE ANY REPRESENTATION OR WARRANTY, EXPRESS OR IMPLIED, AT LAW OR IN EQUITY, WITH RESPECT TO ANY PRODUCT FEATURED ON THE WEBSITE, INCLUDING WITHOUT LIMITATION WITH RESPECT TO MERCHANTABILITY, FITNESS FOR ANY PARTICULAR PURPOSE, VALUE, VALIDITY, OR ENFORCEABILITY, AND ANY AND ALL SUCH OTHER REPRESENTATIONS OR WARRANTIES ARE HEREBY EXPRESSLY DISCLAIMED.