



## Barnes4wd Axis Bed Rack Side Bike Mount Installation Instructions

Thank you for purchasing our Barnes4wd Axis Bed Rack Side Bike Mount!

### Installation Notes:

- **All Hardware is stainless steel to prevent corrosion. Hardware will need installed by hand with antiseize to prevent galling.**
- While installing leave all hardware loose until the final step.
- The Mount is designed to use a Rocky Mount Driveshaft HM Fork Mount (part# 10840) or similar.
- To secure the rear tire an 18" Titan Strap or similar will need to be used.
- Some Hardware from previous instructions may need to be loosened or removed during installation.
- Torque all 3/8" hardware to 19 Ft-Lbs

### Tools required:

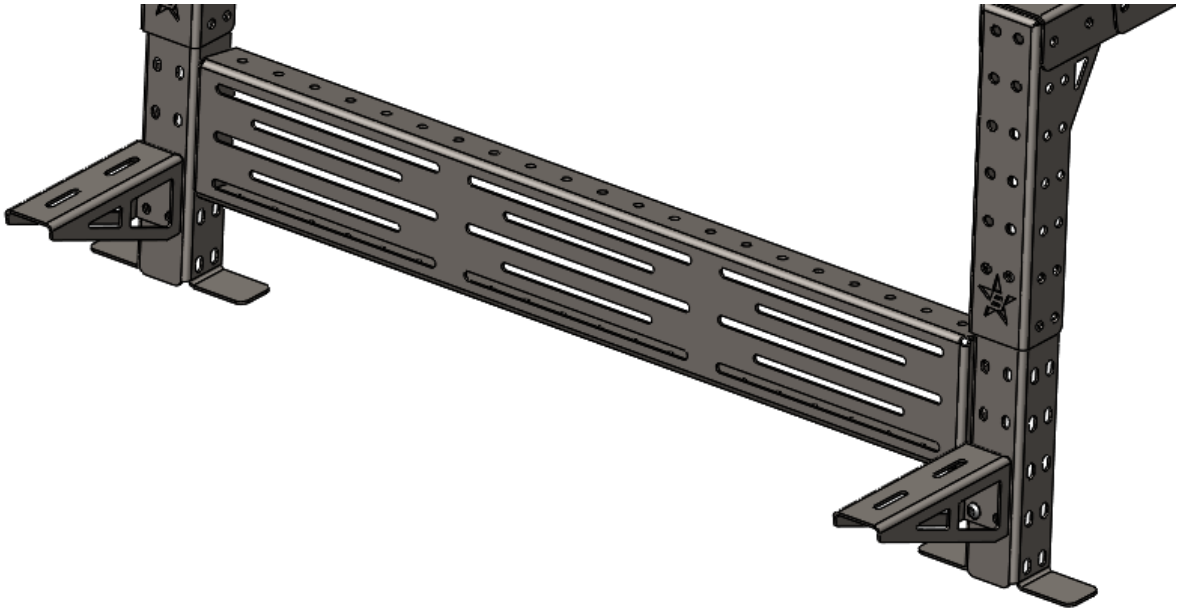
- 9/16" Wrench
- 7/16" Wrench
- 7/32" Allen Socket
- 5/32" Allen Socket
- 3/8" Driver Ratchet
- Antiseize

Bill of Materials for B4WK12634 Bed Rack Side Bike Mount Prepack		
QTY	Part Number	Description
2	B4W125039WP	Bed Rack Bike Mount Welded and Powder Coated
1	B4W125040P	Bed Rack Bike Tire Tray Powder Coated
2	25C100KBCS	1/4-20 X 1 Button Head Cap Screw Stainless
2	25CNNES	1/4-20 Nylock Stainless
2	25NWUSS	1/4 USS Flat Washer Stainless
10	37C100KBCS	3/8"-16 X 1" Button Head Cap Screw Stainless
10	37CNNES	3/8"-16 Stainless Nylock Nut
10	37NWUSS	3/8" USS Flat Washer Stainless

## Contents of box

### Step 1:

Install the two bed rack bike mounts on the side of the rack as shown below.



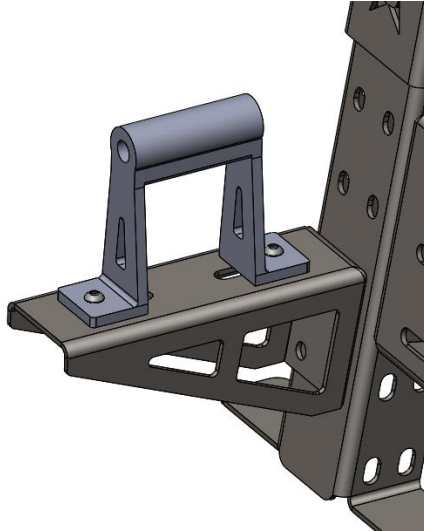
### Step 2:

Install the back tire tray shown below.



### **Step 3:**

Install the fork mount as shown below and tighten all hardware to 19 Ft-Lbs.



### **Step 4:**

Follow the manufactures steps on how to install your bike on the fork mount. The rear tire will need to be strapped to the tire tray with the strap recommended above or another suitable strap.

## **Congratulations! You Have finished the installation of the Barnes4wd Axis Bed Rack Side Bike Mount**

Professional Services Disclaimer:

The content of all pages of this website (collectively, the "Website"), such as text, graphics, images, information and other material (collectively, "Content") is for informational purposes only. Any information furnished on this Website is not intended nor implied to be automotive advice and is not intended to replace personal consultation with a qualified automotive service technician, mechanic, or similar automotive professional.

Barnes 4WD has not examined the Content for accuracy, timeliness, completeness, appropriateness, or helpfulness. Barnes 4WD does not endorse any specific tests, products, procedures, opinions, or other information that may be mentioned on this Website. Your reliance upon information and Content obtained by you at or through this Website is solely at your own risk. IN NO EVENT SHALL BARNES 4WD BE LIABLE OR OTHERWISE RESPONSIBLE FOR ANY DAMAGE OR INJURY (INCLUDING DEATH) TO YOU, OTHER PERSONS, OR PROPERTY ARISING FROM ANY USE OF ANY PRODUCT, INFORMATION, IDEA, OR INSTRUCTION CONTAINED IN THE CONTENT.

BARNES 4WD DOES NOT MAKE ANY REPRESENTATION OR WARRANTY, EXPRESS OR IMPLIED, AT LAW OR IN EQUITY, WITH RESPECT TO ANY PRODUCT FEATURED ON THE WEBSITE, INCLUDING WITHOUT LIMITATION WITH RESPECT TO MERCHANTABILITY, FITNESS FOR ANY PARTICULAR PURPOSE, VALUE, VALIDITY, OR ENFORCEABILITY, AND ANY AND ALL SUCH OTHER REPRESENTATIONS OR WARRANTIES ARE HEREBY EXPRESSLY DISCLAIMED.