



## Barnes4wd Axis Base Bed Rack Installation Instructions

Thank you for purchasing our Barnes4wd Axis Base Bed Rack!

### Installation Notes:

- **All Hardware is stainless steel to prevent corrosion. Hardware will need installed by hand with antiseize to prevent galling.**
- This product is designed to be a universal fit and may have to be modified slightly to work on your vehicle.
- The rack has a height adjustment from 14 to 24" every 2" above the top of the bed rail.
- The rack has an inner mounting at the bed rail width adjustment from 55 7/8" to 66 3/4" at its highest setting.
- The rack has an inner mounting at the bed rail width adjustment from 52 7/16" to 63 5/16" at its lowest setting.
- If the rack is being used in its highest setting, we recommend the side accessory rails be installed part # B4WK12624
- While installing leave all hardware loose until the final step.
- Torque all 3/8" hardware to 19 Ft-Lbs.

### Tools required:

- 9/16" Wrench
- 7/32" Allen Socket
- 3/8" Driver Ratchet
- Antiseize

## Possible Kit Combinations

Qty	Kit Part Number	Kit Description
1	B4WK12621	Base Bed Rack Prepack
1	B4WK12622	Bed Rack 5' Top Bar Prepack

## Contents of each box

Bill of Materials for B4WK12621 Base Bed Rack Prepack		
QTY	Part Number	Description
4	B4W125027P	Bed Rack Inner Upright Powder Coated
4	B4W125028WP	Bed Rack Outer Upright Welded Powder Coated
4	B4W125029P	Bed Rack Inner Cross Bar Powder Coated
4	B4W125030P	Bed Rack Outer Cross Bar Powder Coated
68	37C100KBCS	3/8"-16 X 1" Button Head Cap Screw Stainless
68	37CNNES	3/8"-16 Stainless Nylock Nut
68	37NWUSS	3/8" USS Flat Washer Stainless

Bill of Materials for B4WK12622 Bed Rack 5' Top Bar Prepack		
QTY	Part Number	Description
2	B4W125031WP	Bed Rack 5' Top Bar Welded and Powder Coated
2	B4W125045WP	Bed Rack Gusset Welded and Powder Coated
2	B4W125046WP	Bed Rack Gusset Mirror Welding and Powder Coating
16	37C100KBCS	3/8"-16 X 1" Button Head Cap Screw Stainless
16	37CNNES	3/8"-16 Stainless Nylock Nut
16	37NWUSS	3/8" USS Flat Washer Stainless

### Step 1:

Refer to the instructions for the mounting brackets your purchased. Once you have completed those instructions you can then move on to Step 2 of base rack instructions. The next steps will assume the mounting brackets have been installed

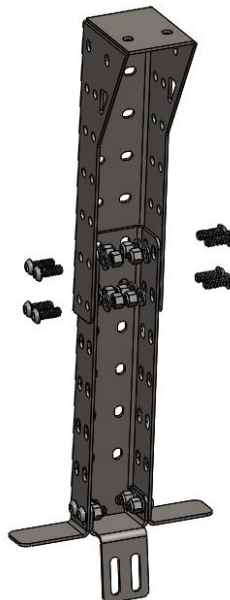
## Step 2:

Install the inner upright on to the mounting brackets installed in the previous step. If you wish to install the rack at its lowest setting you will also need to install the outer upright at this time. If you are using the rack at its lowest point move to step 4.



## Step 3:

Install the outer upright onto the inner upright at the desired height with the provided hardware as shown below. Do not exceed the top 4 mounting holes.



### Step 4:

Install the inner cross bar onto the outer upright as shown below.



### Step 5:

Repeat steps 2 through 4 on all four corners of the bed.

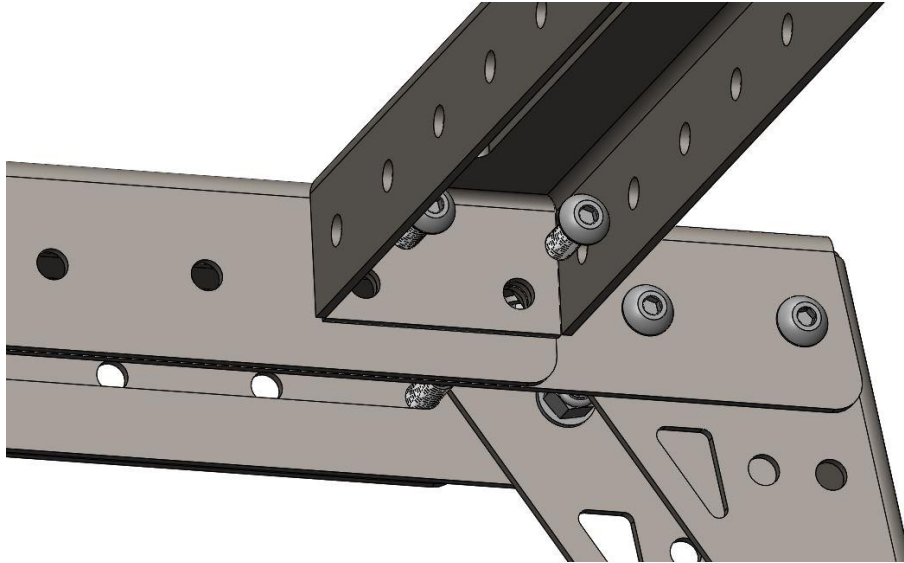
### Step 6:

With the logo on the outer cross bar facing the cab on the front of the rack, and the tailgate on the back of the rack, install the outer cross bar between the two inner cross bars and center. Install hardware on the logo side of the cross bar and in the top. The top hardware may need to be omitted if installing a roof top tent or other accessory that will bolt the two parts together. Repeat this step on the other uprights.



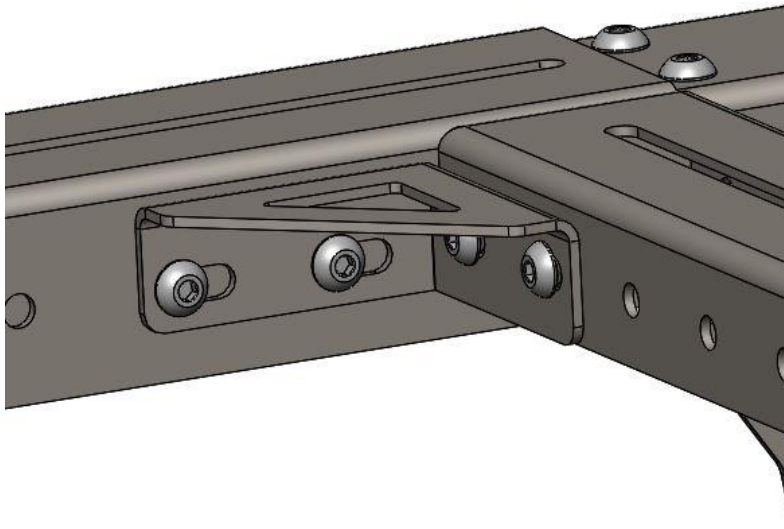
### **Step 7:**

Install the top bar between the two upright assemblies using the 2 bolts as shown below.  
Repeat this step on each side of the bed.



### **Step 8:**

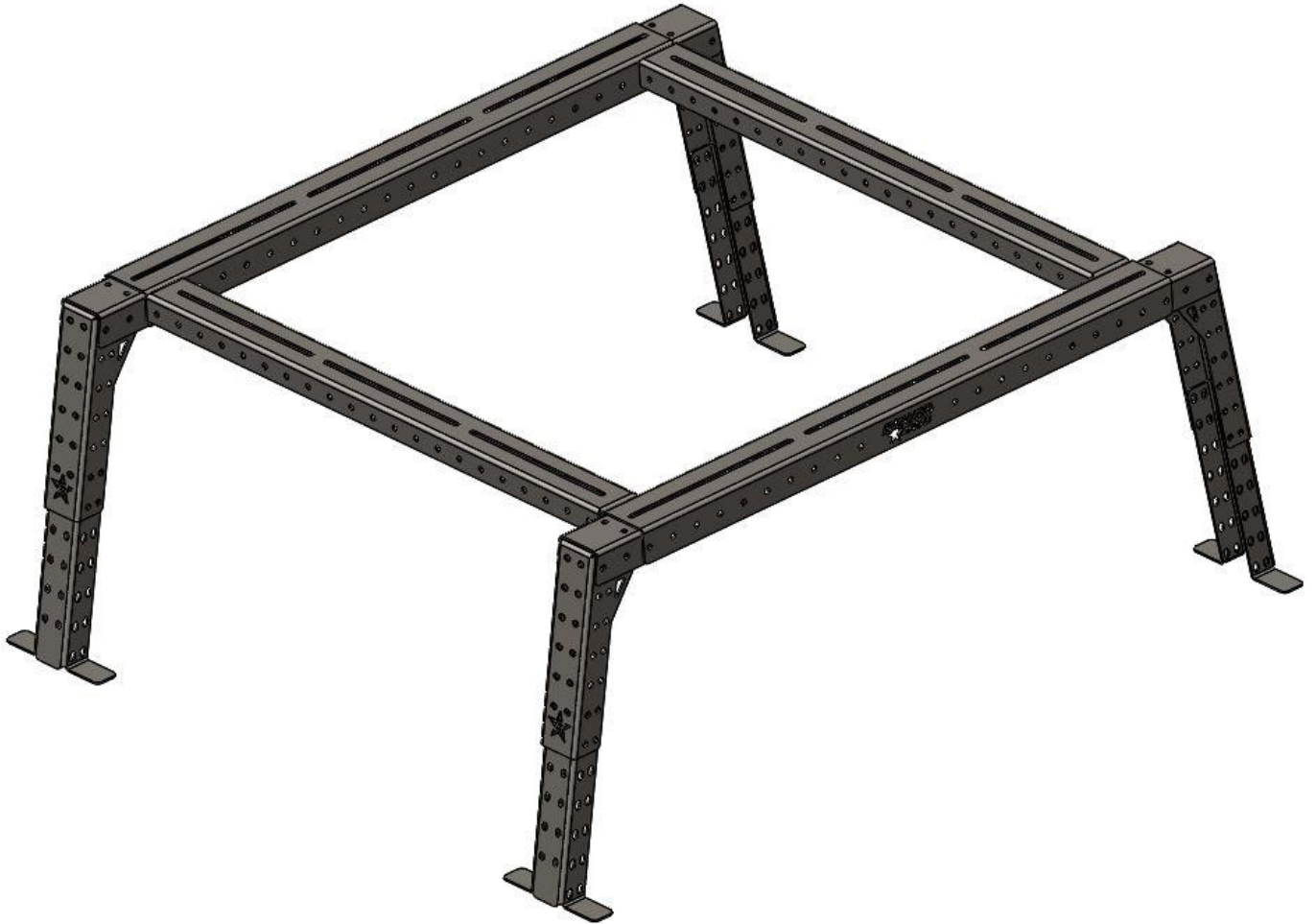
Install the provided gussets in all four corners of the rack as shown below.



### **Step 9:**

Ensure the rack is in the desired location and tighten all hardware to 19 Ft-Lbs.

## **Congratulations! You Have finished the installation of the Barnes4wd Axis Base Bed Rack**



### Professional Services Disclaimer:

The content of all pages of this website (collectively, the "Website"), such as text, graphics, images, information and other material (collectively, "Content") is for informational purposes only. Any information furnished on this Website is not intended nor implied to be automotive advice and is not intended to replace personal consultation with a qualified automotive service technician, mechanic, or similar automotive professional.

Barnes 4WD has not examined the Content for accuracy, timeliness, completeness, appropriateness, or helpfulness. Barnes 4WD does not endorse any specific tests, products, procedures, opinions, or other information that may be mentioned on this Website. Your reliance upon information and Content obtained by you at or through this Website is solely at your own risk. IN NO EVENT SHALL BARNES 4WD BE LIABLE OR OTHERWISE RESPONSIBLE FOR ANY DAMAGE OR INJURY (INCLUDING DEATH) TO YOU, OTHER PERSONS, OR PROPERTY ARISING FROM ANY USE OF ANY PRODUCT, INFORMATION, IDEA, OR INSTRUCTION CONTAINED IN THE CONTENT.

BARNES 4WD DOES NOT MAKE ANY REPRESENTATION OR WARRANTY, EXPRESS OR IMPLIED, AT LAW OR IN EQUITY, WITH RESPECT TO ANY PRODUCT FEATURED ON THE WEBSITE, INCLUDING WITHOUT LIMITATION WITH RESPECT TO MERCHANTABILITY, FITNESS FOR ANY PARTICULAR PURPOSE, VALUE, VALIDITY, OR ENFORCEABILITY, AND ANY AND ALL SUCH OTHER REPRESENTATIONS OR WARRANTIES ARE HEREBY EXPRESSLY DISCLAIMED.