



## Barnes 4wd 5lb Propane Tank Mount Installation Instructions

Thank you for purchasing our Barnes 4wd 5lb Propane Tank Mount!

### Installation Notes:

- **All Hardware is stainless steel to prevent corrosion. Hardware will need installed by hand with antiseize to prevent galling.**
- The mount is designed to securely mount a 5lb propane mount with a diameter of 8 inches.
- Some Hardware from previous instructions may need to be loosened or removed during installation.
- Torque all 3/8" hardware to 19 Ft-Lbs.

### Tools required:

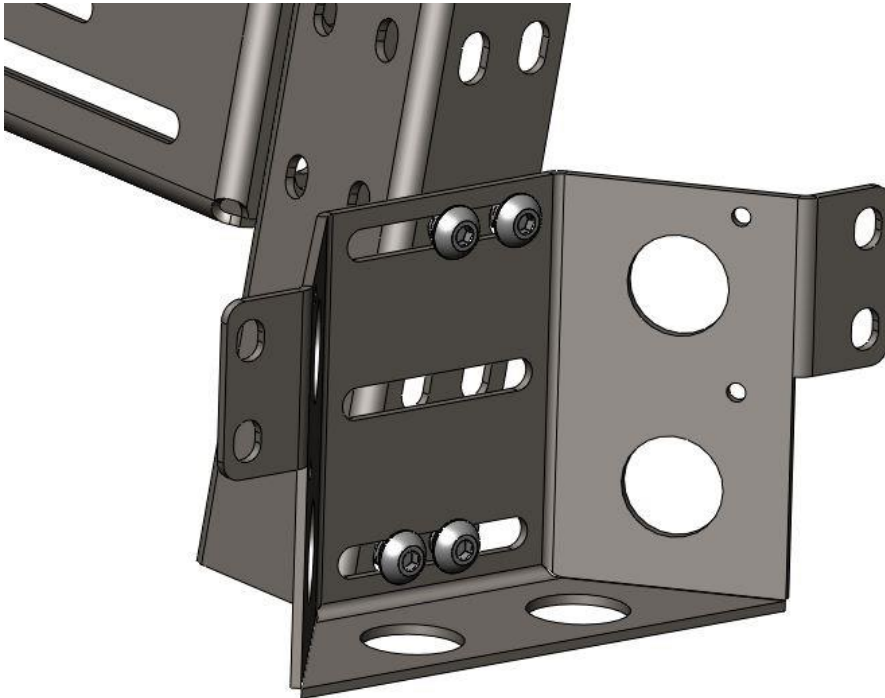
- 9/16" Wrench
- 7/32" Allen Socket
- 3/8" Driver Ratchet
- Antiseize

# Contents of box

Bill of Materials for B4WK12637 5lb Propane Tank Mount Prepack		
QTY	Part Number	Description
1	B4W125044P	Bed Rack 5lb Propane Tank Mount Base Powder Coated
1	B4W125066P	5lb Propane Tank Strap Powder Coated
4	37C100KBCS	3/8"-16 X 1" Button Head Cap Screw Stainless
4	37CNNES	3/8"-16 Stainless Nylock Nut
4	37NWUSS	3/8" USS Flat Washer Stainless
4	31C175BCGS	5/16-18 X1.75 Carriage Head Bolt Stainless
4	31CNWIS	5/16-18 Wing Nut 18-8 SS
4	31NWUSS	5/16 USS Stainless Flat Washer
2	1650SB3-339-6in	Edge Trim .09-.19" Mat Thick 6 inches
4	9544K591	Push-In Bumpers 1/4" ID 1/2"OD

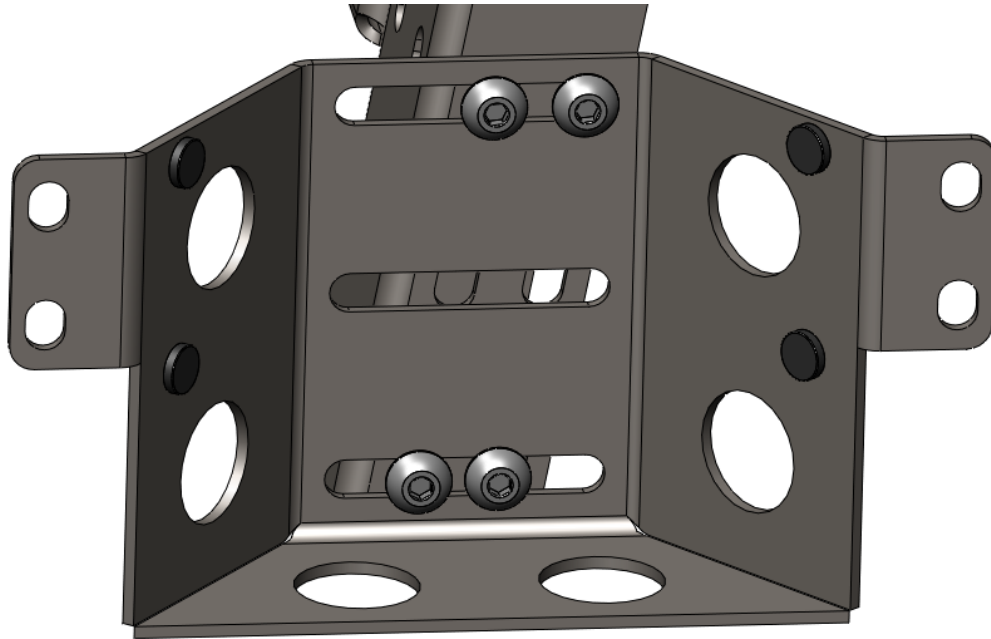
## Step 1:

Install the propane tank mount to the bed rack as shown below.



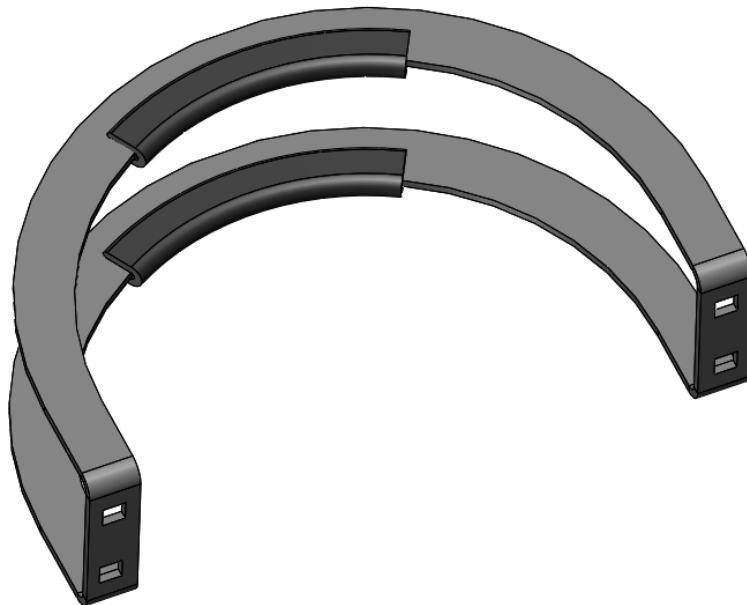
## Step 2:

Install the 4 rubber bumpers into the propane tank mount as shown below.



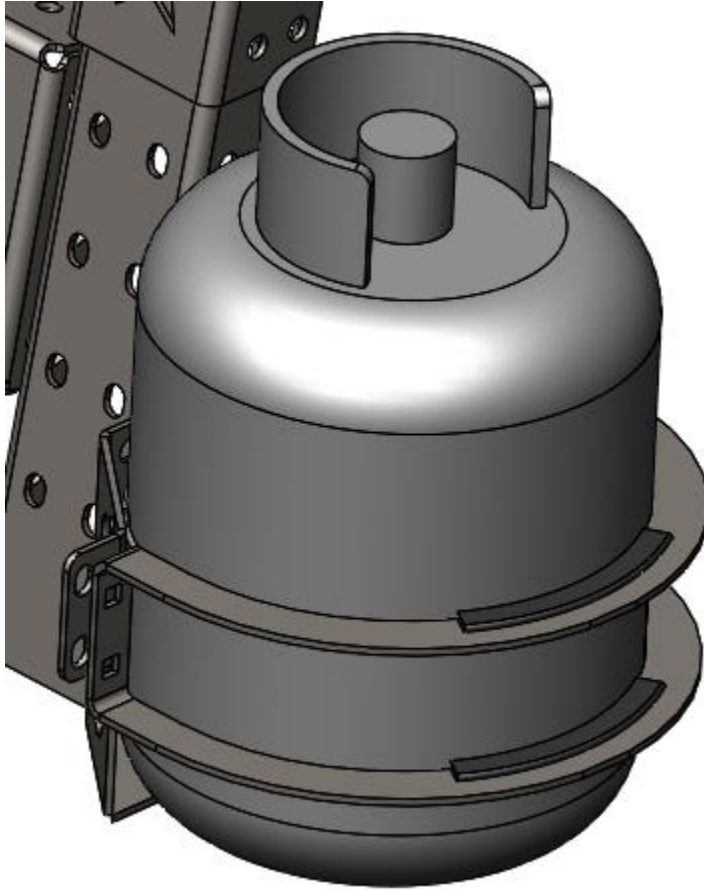
## Step 3:

Install the rubber trim onto the propane tank strap as shown below.



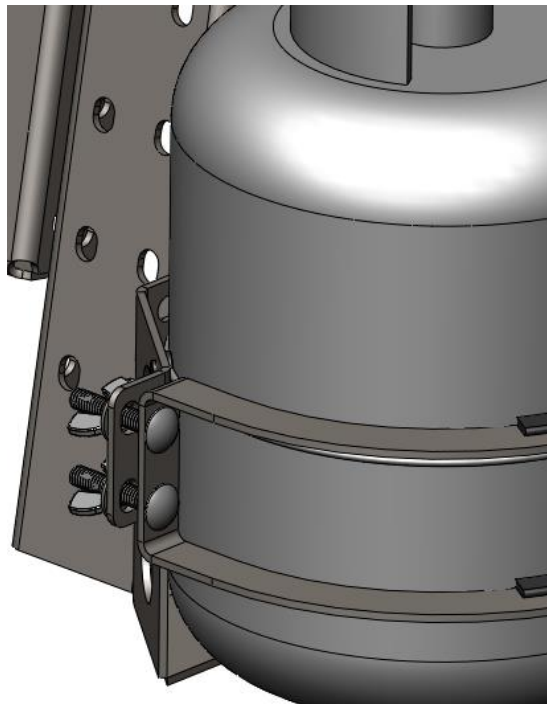
### Step 4:

Place 5lb propane tank and the strap in the mount as shown below.



### Step 5:

Install the 4 carriage head bolts and wing nuts into the strap and tighten hardware.



# **Congratulations! You Have finished the installation of the Barnes4wd 5lb Propane Tank Mount.**

Professional Services Disclaimer:

The content of all pages of this website (collectively, the "Website"), such as text, graphics, images, information and other material (collectively, "Content") is for informational purposes only. Any information furnished on this Website is not intended nor implied to be automotive advice and is not intended to replace personal consultation with a qualified automotive service technician, mechanic, or similar automotive professional.

Barnes 4WD has not examined the Content for accuracy, timeliness, completeness, appropriateness, or helpfulness. Barnes 4WD does not endorse any specific tests, products, procedures, opinions, or other information that may be mentioned on this Website. Your reliance upon information and Content obtained by you at or through this Website is solely at your own risk. IN NO EVENT SHALL BARNES 4WD BE LIABLE OR OTHERWISE RESPONSIBLE FOR ANY DAMAGE OR INJURY (INCLUDING DEATH) TO YOU, OTHER PERSONS, OR PROPERTY ARISING FROM ANY USE OF ANY PRODUCT, INFORMATION, IDEA, OR INSTRUCTION CONTAINED IN THE CONTENT.

BARNES 4WD DOES NOT MAKE ANY REPRESENTATION OR WARRANTY, EXPRESS OR IMPLIED, AT LAW OR IN EQUITY, WITH RESPECT TO ANY PRODUCT FEATURED ON THE WEBSITE, INCLUDING WITHOUT LIMITATION WITH RESPECT TO MERCHANTABILITY, FITNESS FOR ANY PARTICULAR PURPOSE, VALUE, VALIDITY, OR ENFORCEABILITY, AND ANY AND ALL SUCH OTHER REPRESENTATIONS OR WARRANTIES ARE HEREBY EXPRESSLY DISCLAIMED.