



Badlands 3 Ton Jack Mount Installation Instructions

Thank you for purchasing our Badlands 3 Ton jack mount!

Installation Notes:

- This mount is designed to work with Harbor Freight part number 59136.
- All Hardware is stainless steel to prevent corrosion. Hardware will need installed by hand with antiseize to prevent galling.

Tools required:

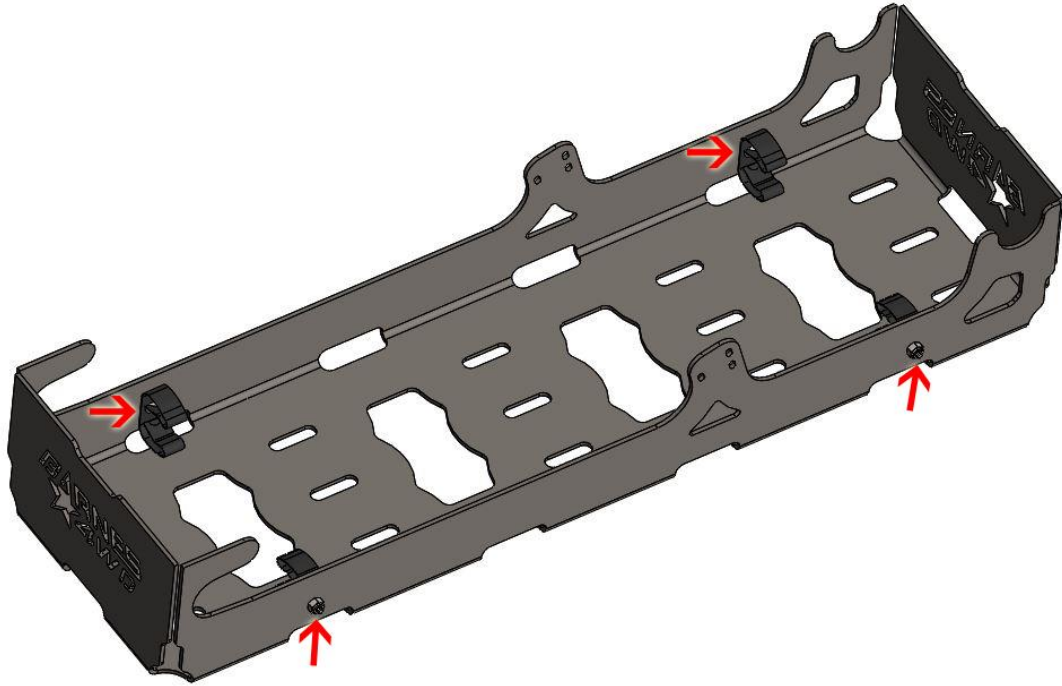
- 3/32" Allen Key
- 1/8" Allen Key
- 7/32" Allen Key
- 5mm Allen Key
- 6mm Allen Key
- 11/32" Socket
- 3/8" Socket
- 9/16" Socket
- Ratchet
- 5/16" Wrench

Contents of box

Bill Of Materials for B4WK12804			
QTY	Part Number	Etch Number	Description
1	B4W125201W	201 BW	Badlands 3 Ton Jack Mount Welded
2	B4W075083	083 B	Badlands 3 Ton Jack Mount Latch Keeper
2	91-532-07	NA	Under-Center Draw Latch Medium Size, Steel, Zinc Plate
4	#225-FXL	NA	Spring Steel Gripper Clip - Vinyl Coated- 1"-1 1/2"
6	8CNTES	NA	8-32 Thin Nylock Stainless
6	8C43KBCS	NA	8-32 7/16 Button Socket Head Cap Screw Stainless
4	10CNNES	NA	10-24 Nylock Nut 18-8 SS
4	10C50KBCS	NA	10/24 x 12 18-8ss Button Socket Cap Bolts
4	37C100KBCS	NA	3/8"-16 x 1" Button Head Socket Cap Screw Stainless
4	37CNNES	NA	3/8-16 Stainless Nylock
4	37NWUSS	NA	3/8" USS Flat Washer SS

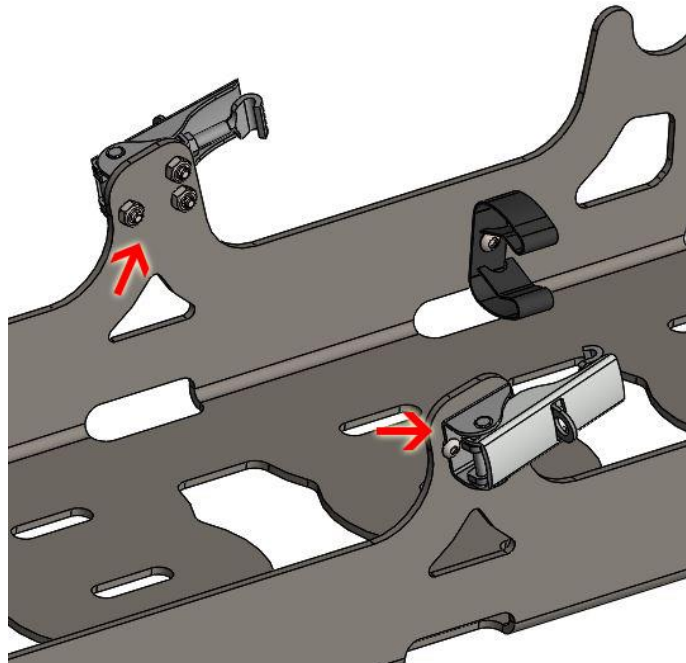
Step 1:

Install the 4 spring clamps and #10 hardware into the mount as shown below making sure the clamps are straight up and down.



Step 2:

Install the latch to the mount with the #8 hardware as shown below.



Step 3:

Install the latch keeper onto the jack by removing the 2 bolts on the jack as shown below. The smaller hole in the bracket goes towards the bottom and the keeper will go under the handle. Repeat on opposite side of the jack.



Step 4:

Place the jack in the mount by sliding the front axle into the slots and lowering the rear of the jack until the back axle lands in the rear slots.



Step 5:

Adjust the latch until the jack is securely mounted when the latch is closed. Tighten the jam nut on the latch.

Step 6:

Remove the jack and mount the mounting base to your desired location.

Congratulations! You Have finished the installation of the Barnes4wd Badlands 3 Ton Jack Mount

Professional Services Disclaimer:

The content of all pages of this website (collectively, the "Website"), such as text, graphics, images, information and other material (collectively, "Content") is for informational purposes only. Any information furnished on this Website is not intended nor implied to be automotive advice and is not intended to replace personal consultation with a qualified automotive service technician, mechanic, or similar automotive professional.

Barnes 4WD has not examined the Content for accuracy, timeliness, completeness, appropriateness, or helpfulness. Barnes 4WD does not endorse any specific tests, products, procedures, opinions, or other information that may be mentioned on this Website. Your reliance upon information and Content obtained by you at or through this Website is solely at your own risk. IN NO EVENT SHALL BARNES 4WD BE LIABLE OR OTHERWISE RESPONSIBLE FOR ANY DAMAGE OR INJURY (INCLUDING DEATH) TO YOU, OTHER PERSONS, OR PROPERTY ARISING FROM ANY USE OF ANY PRODUCT, INFORMATION, IDEA, OR INSTRUCTION CONTAINED IN THE CONTENT.

BARNES 4WD DOES NOT MAKE ANY REPRESENTATION OR WARRANTY, EXPRESS OR IMPLIED, AT LAW OR IN EQUITY, WITH RESPECT TO ANY PRODUCT FEATURED ON THE WEBSITE, INCLUDING WITHOUT LIMITATION WITH RESPECT TO MERCHANTABILITY, FITNESS FOR ANY PARTICULAR PURPOSE, VALUE, VALIDITY, OR ENFORCEABILITY, AND ANY AND ALL SUCH OTHER REPRESENTATIONS OR WARRANTIES ARE HEREBY EXPRESSLY DISCLAIMED.