



TJ/LJ Rear Frame Tie in Bracket Set Installation Instructions

Thank you for purchasing this product!

Installation Notes:

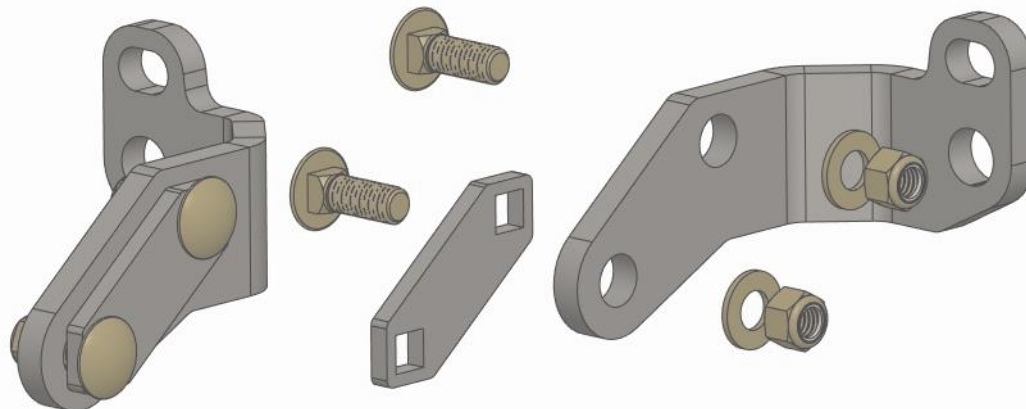
- This product is intended for Jeep 1997- 2006 TJ/LJ models.
- These items are raw steel, painting or powder coating is recommended.

Tools required:

- 11/16" Wrench

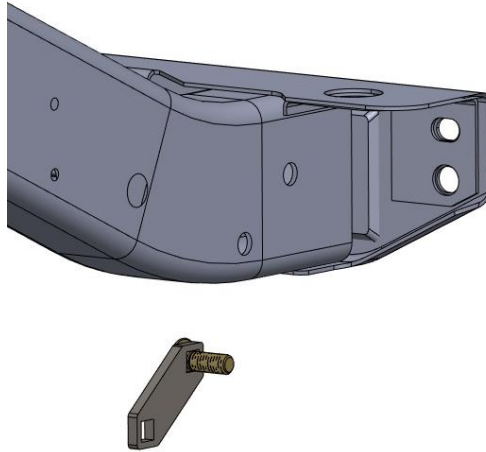
Contents of each box

Bill Of Materials For B4WK12885			
QTY	Part Number	Etch Number	Description
1	B4W375231	231 B	Jeep TJ Rear Tie in Bracket D
1	B4W375230	230 B	Jeep TJ Rear Tie in Bracket P
2	B4W250C10	C10	TJ Tie in Bolt Locating Tab
4	43NWSAFY		7/16 SAE WASHER YELLOW
4	43CNNE0Y/GC		7/16-14 NYLOCK
4	43C150BCG8Y		7/16-14 X 1-1/2 Grade 8 Carriage Bolt Zinc Yellow



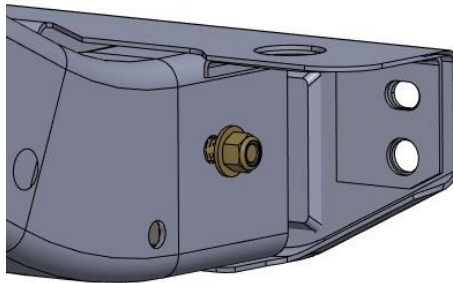
Step1:

Insert 1 carriage bolt into the supplied tab.



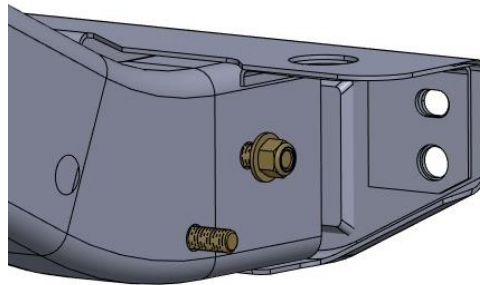
Step2:

Through the slot on the bottom of the frame locate this assembly in the upper mounting hole and loosely secure with a nut.



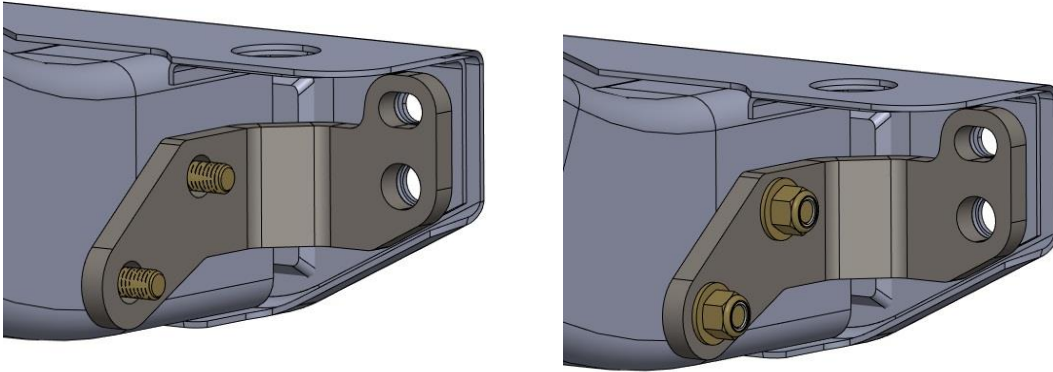
Step3:

Through the slot on the bottom of the frame insert and seat the second carriage bolt.



Step4:

With the plate and bolts located remove the nut and install the frame reinforcement plate. Be sure to support the bolts from inside the frame to keep them seated in the plate.



Step5:

Repeat steps 1 through 4 on the passenger side.

Congratulations you have completed the installation.

Professional Services Disclaimer:

The content of all pages of this website (collectively, the "Website"), such as text, graphics, images, information and other material (collectively, "Content") is for informational purposes only. Any information furnished on this Website is not intended nor implied to be automotive advice and is not intended to replace personal consultation with a qualified automotive service technician, mechanic, or similar automotive professional.

Barnes 4WD has not examined the Content for accuracy, timeliness, completeness, appropriateness, or helpfulness. Barnes 4WD does not endorse any specific tests, products, procedures, opinions, or other information that may be mentioned on this Website. Your reliance upon information and Content obtained by you at or through this Website is solely at your own risk. IN NO EVENT SHALL BARNES 4WD BE LIABLE OR OTHERWISE RESPONSIBLE FOR ANY DAMAGE OR INJURY (INCLUDING DEATH) TO YOU, OTHER PERSONS, OR PROPERTY ARISING FROM ANY USE OF ANY PRODUCT, INFORMATION, IDEA, OR INSTRUCTION CONTAINED IN THE CONTENT.

BARNES 4WD DOES NOT MAKE ANY REPRESENTATION OR WARRANTY, EXPRESS OR IMPLIED, AT LAW OR IN EQUITY, WITH RESPECT TO ANY PRODUCT FEATURED ON THE WEBSITE, INCLUDING WITHOUT LIMITATION WITH RESPECT TO MERCHANTABILITY, FITNESS FOR ANY PARTICULAR PURPOSE, VALUE, VALIDITY, OR ENFORCEABILITY, AND ANY AND ALL SUCH OTHER REPRESENTATIONS OR WARRANTIES ARE HEREBY EXPRESSLY DISCLAIMED.