



Jeep JT Rear Axle Lower Control Arm Bracket Skids Installation Instructions

Thank you for purchasing this product!

Installation Notes:

- Compatible with 2020 - Current Jeep JT
- Refer to the factory service manual to remove any factory components.

Tools required:

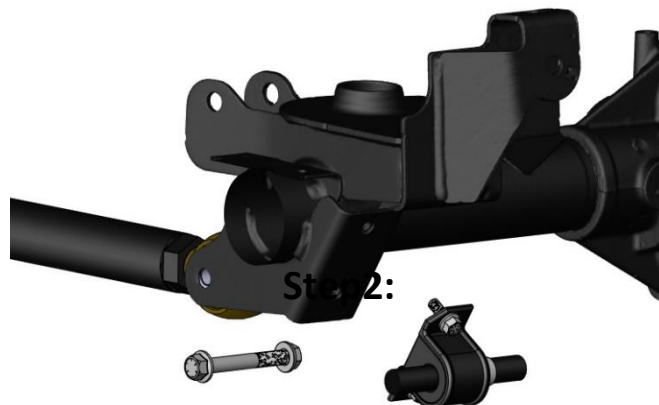
- Standard and Metric wrench set

Contents of each box

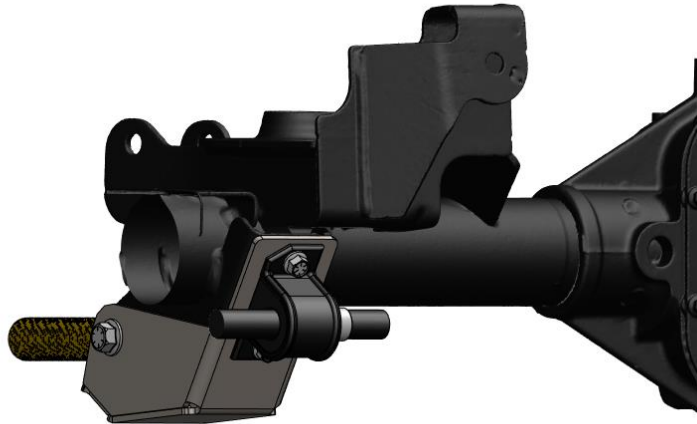
Bill Of Materials for B4WK12875			
QTY	Part Number	Etch Number	Description
2	B4WK188C17	C17	Jeep JT Rubicon Rear Axle Control Arm Bracket Skid.
2	62CNNE0Y/GC		5/8-11 ZC IFI B NE NYLON INS LOCK NUT
2	62C425HCS8Y		5/8-11 X 4 1/4 Hex Cap Screw Gr 8 Zinc/Yellow

Step1:

With the Jeep parked on level ground, in park and wheels chocked, remove the lower control arm and sway bar hardware on the driver side.



Slide the Rear Axle lower control arm bracket kit onto the bracket and install with the provided control arm bolts and factory sway bar bolts. The factory brackets typically flare out and will need to be pulled together to place the skid plates in position.



Step3:

Repeat steps 1 & 2 on the other side of the vehicle.

Congratulations! You Have finished the installation.

Professional Services Disclaimer:

The content of all pages of this website (collectively, the "Website"), such as text, graphics, images, information and other material (collectively, "Content") is for informational purposes only. Any information furnished on this Website is not intended nor implied to be automotive advice and is not intended to replace personal consultation with a qualified automotive service technician, mechanic, or similar automotive professional.

Barnes 4WD has not examined the Content for accuracy, timeliness, completeness, appropriateness, or helpfulness. Barnes 4WD does not endorse any specific tests, products, procedures, opinions, or other information that may be mentioned on this Website. Your reliance upon information and Content obtained by you at or through this Website is solely at your own risk. IN NO EVENT SHALL BARNES 4WD BE LIABLE OR OTHERWISE RESPONSIBLE FOR ANY DAMAGE OR INJURY (INCLUDING DEATH) TO YOU, OTHER PERSONS, OR PROPERTY ARISING FROM ANY USE OF ANY PRODUCT, INFORMATION, IDEA, OR INSTRUCTION CONTAINED IN THE CONTENT.

BARNES 4WD DOES NOT MAKE ANY REPRESENTATION OR WARRANTY, EXPRESS OR IMPLIED, AT LAW OR IN EQUITY, WITH RESPECT TO ANY PRODUCT FEATURED ON THE WEBSITE, INCLUDING WITHOUT LIMITATION WITH RESPECT TO MERCHANTABILITY, FITNESS FOR ANY PARTICULAR PURPOSE, VALUE, VALIDITY, OR ENFORCEABILITY, AND ANY AND ALL SUCH OTHER REPRESENTATIONS OR WARRANTIES ARE HEREBY EXPRESSLY DISCLAIMED.