



## Jeep JL & JT Mojave Shock Reservoir Relocation Bracket Set Installation Instructions

Thank you for purchasing this product!

### Installation Notes:

- This product is made for 2018-2024 Jeep Wrangler JL and Gladiator JT
- Test fitting this product before painting or powder coating is recommended.
- Test fitting reservoirs and lines before ordering is recommended to be sure the line is long enough to reach the desired location.

### Tools required:

- 15MM wrench and socket.
- 5/16 socket and extension.

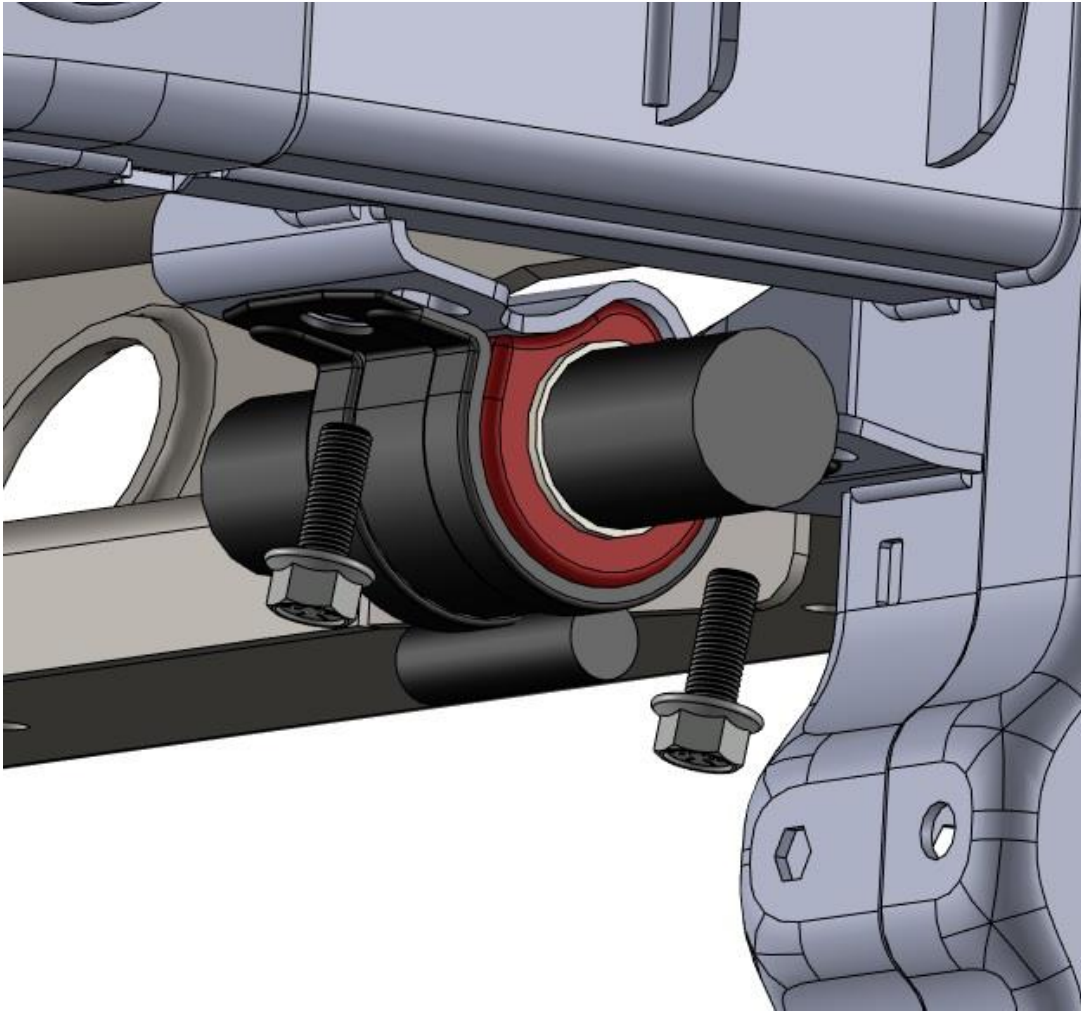
## Contents of each box

Bill Of Materials For B4WK12849			
QTY	Part Number	Etch Number	Description
1	B4W188C22	C22	JT/JL Shock reservoir mounting bracket PS
1	B4W188C23	C23	JT/JL Shock reservoir mounting bracket DS
4	HS-36Clamp		1-13/16 to2-3/4 Clamp



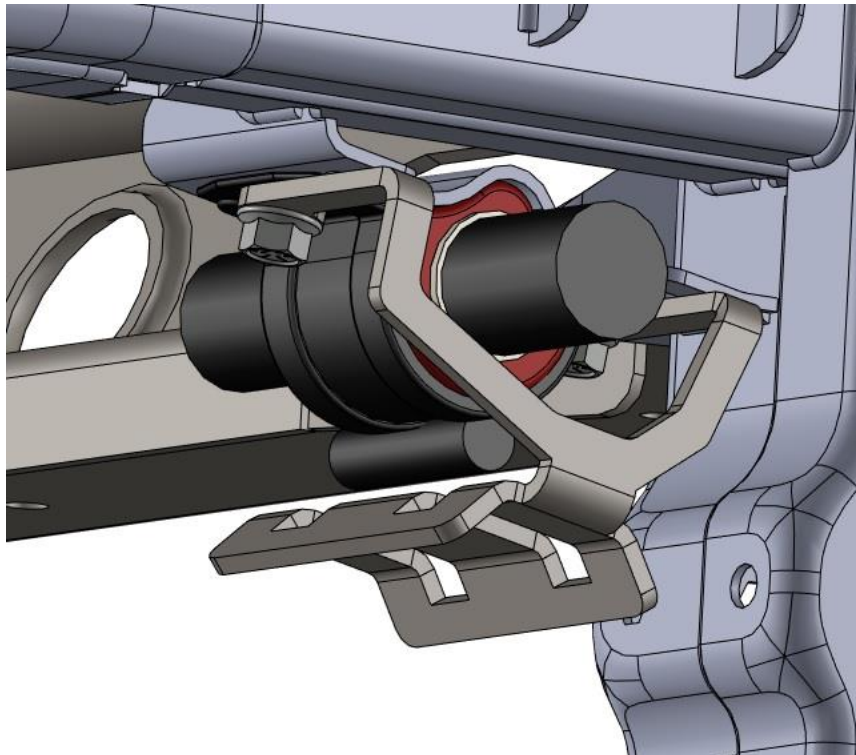
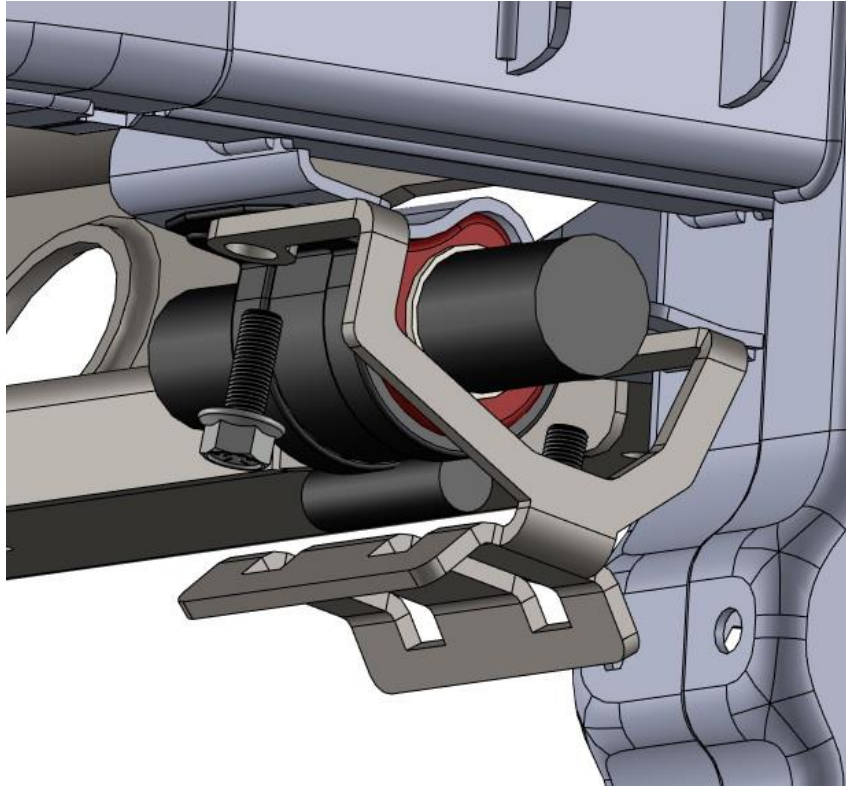
## Step1:

With the sway bar supported, remove both bolts on one side of the vehicle.



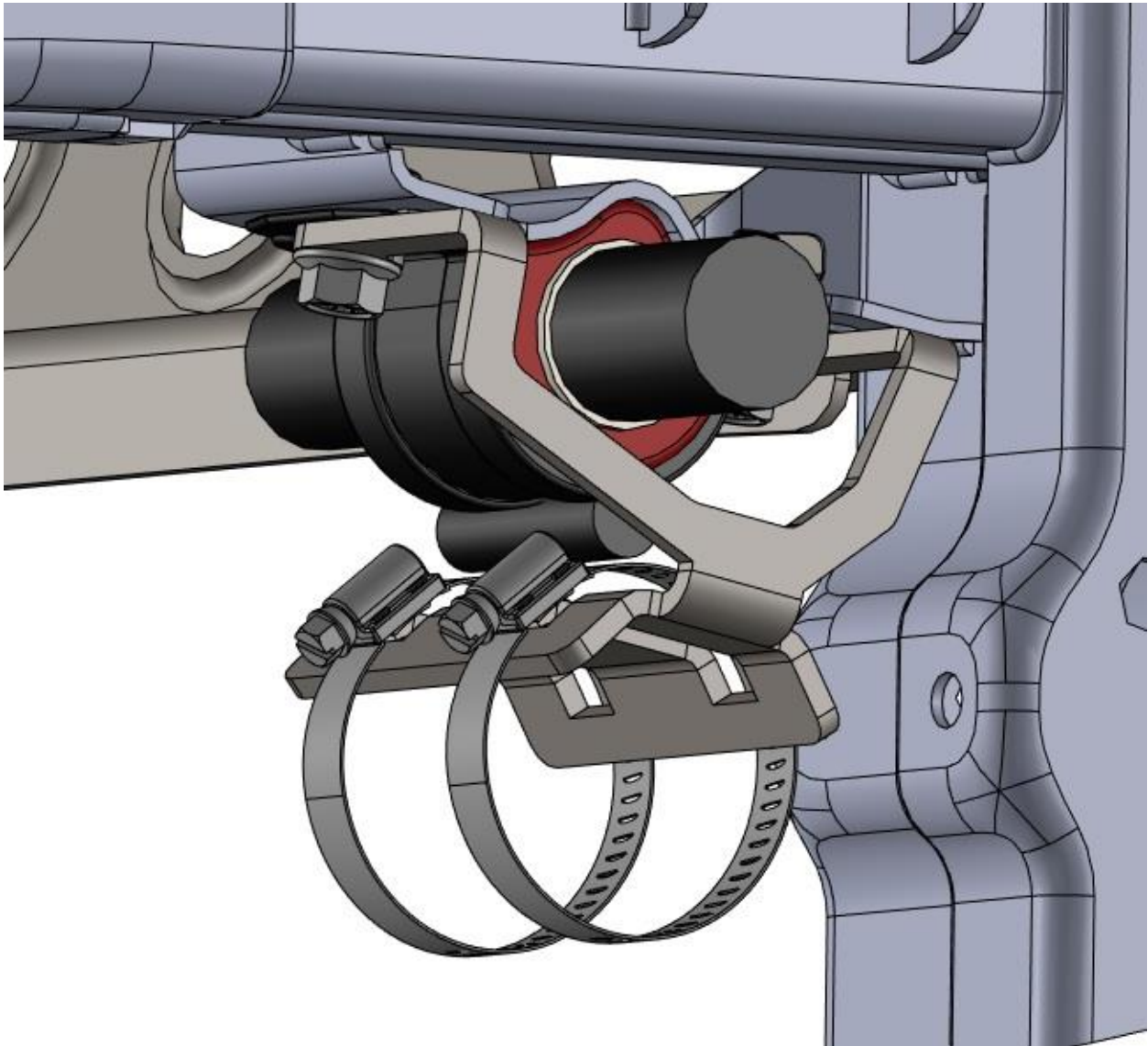
## Step2:

Locate the reservoir bracket as shown below and install it using the factory bolts.



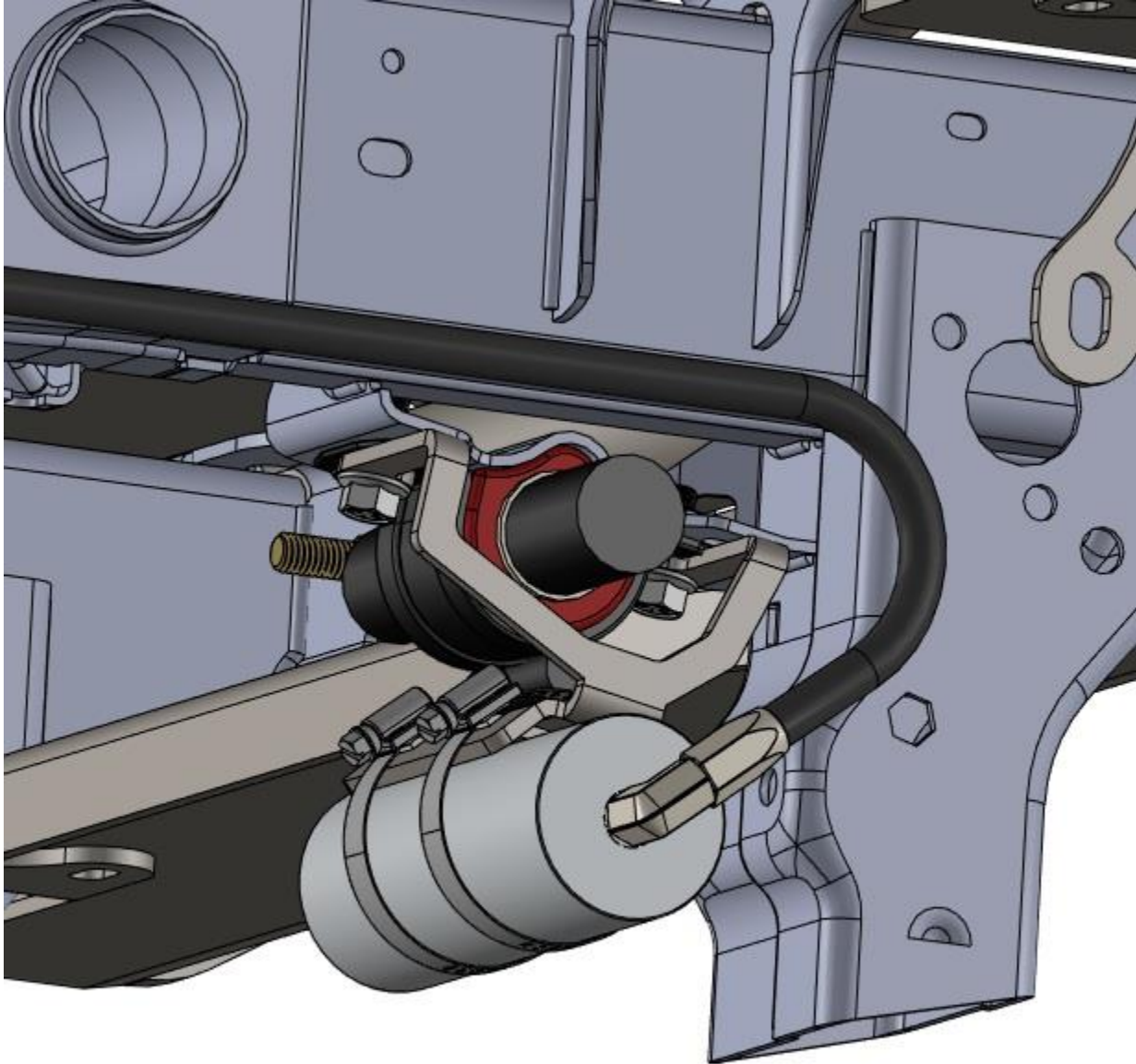
### Step3:

Install the clamps in the slots integrated into the brackets as shown in the picture below.



### **Step5:**

Insert the reservoir and tighten the clamps so they ride in the slots on the bracket.



### **Step6:**

Repeat steps 1 through 5 on the other side of the vehicle.

## **Step7:**

Once the installation is complete the suspension and steering need to be cycled to check for clearance issues.

## **Congratulations! You Have finished the installation!**

### Professional Services Disclaimer:

The content of all pages of this website (collectively, the "Website"), such as text, graphics, images, information and other material (collectively, "Content") is for informational purposes only. Any information furnished on this Website is not intended nor implied to be automotive advice and is not intended to replace personal consultation with a qualified automotive service technician, mechanic, or similar automotive professional.

Barnes 4WD has not examined the Content for accuracy, timeliness, completeness, appropriateness, or helpfulness. Barnes 4WD does not endorse any specific tests, products, procedures, opinions, or other information that may be mentioned on this Website. Your reliance upon information and Content obtained by you at or through this Website is solely at your own risk. IN NO EVENT SHALL BARNES 4WD BE LIABLE OR OTHERWISE RESPONSIBLE FOR ANY DAMAGE OR INJURY (INCLUDING DEATH) TO YOU, OTHER PERSONS, OR PROPERTY ARISING FROM ANY USE OF ANY PRODUCT, INFORMATION, IDEA, OR INSTRUCTION CONTAINED IN THE CONTENT.

BARNES 4WD DOES NOT MAKE ANY REPRESENTATION OR WARRANTY, EXPRESS OR IMPLIED, AT LAW OR IN EQUITY, WITH RESPECT TO ANY PRODUCT FEATURED ON THE WEBSITE, INCLUDING WITHOUT LIMITATION WITH RESPECT TO MERCHANTABILITY, FITNESS FOR ANY PARTICULAR PURPOSE, VALUE, VALIDITY, OR ENFORCEABILITY, AND ANY AND ALL SUCH OTHER REPRESENTATIONS OR WARRANTIES ARE HEREBY EXPRESSLY DISCLAIMED.