



Jeep Wrangler TJ, LJ & YJ Rear Bumper Welders Kit Fabrication Notes

Thank you for purchasing this product!

- This kit is designed to be compatible with 1987-2006 Jeep Wrangler models.
- This kit requires welding, automotive mechanical knowledge, and general fabrication skills, it should only be done by qualified individuals.
- The components of this kit will need to be painted or powder coated during installation.
- Refer to your factory service manual to remove any factory components.
- We recommend tack welding the assembly and test fitting before fully welding the bumper.

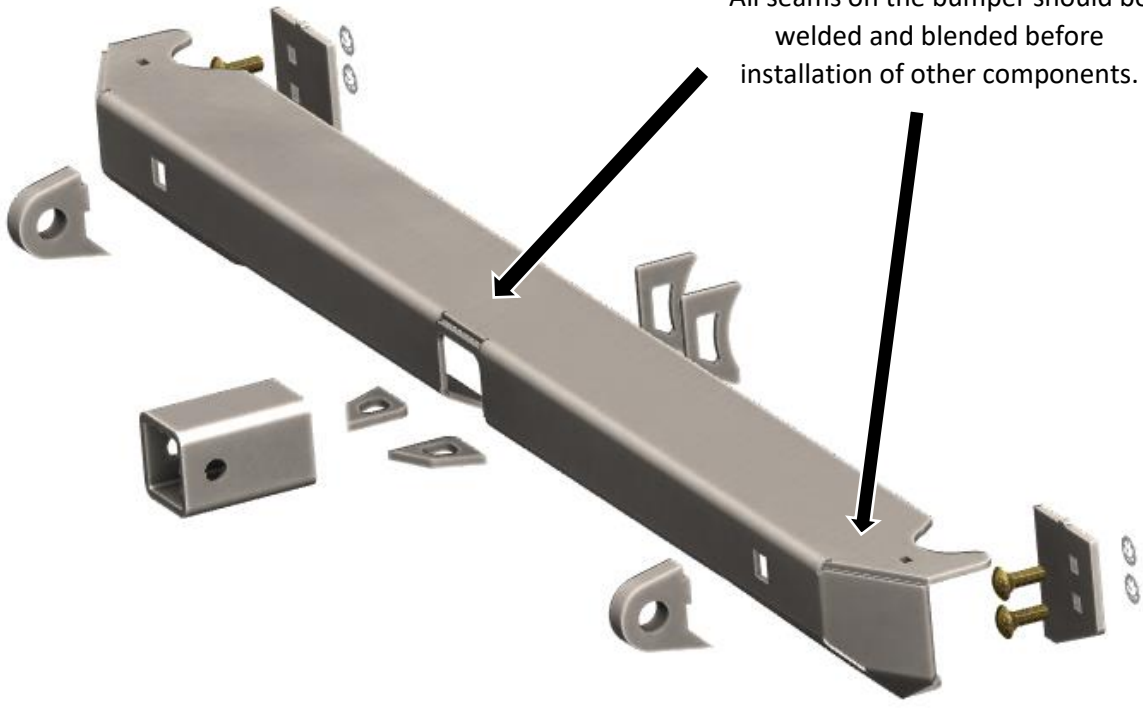
Tools required:

- Welding machine with the capability to weld at least ¼" thick steel.
- Various hand tools
- Grinder to prepare surfaces for welding.

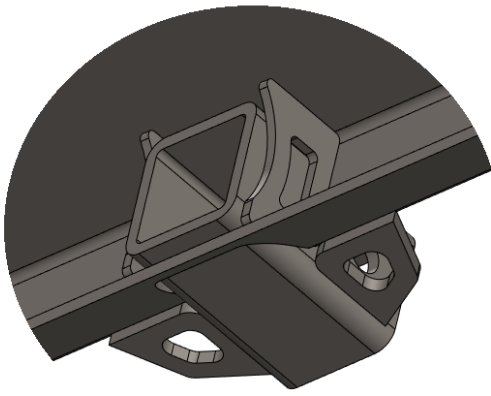


Bill Of Materials For (B4WK12816)			
QTY	Part Number	Etch Number	Description
2	B4W250750	750	TJ Low Profile Bumper Mounting Pad
2	B4W25001	001	Receiver Chain loop
2	B4W188710	710	TJ Low Profile Bumper Hitch Gusset
2	B4W10003	003	Lo Pro Clevis
4	94800A814		7/16 Round Push Nut, Zinc-Plated Steel
4	43C150BCG8Y		7/16-14 X 1-1/2 Grade 8 Carriage Bolt Zinc Yellow
4	43CNNE0Y/GC		7/16-14 Nylock
4	43NWSA0Z		7/16 Washer
4	B4W188C07	C07	TJ LJ YJ Low Profile Rear Bumper With 2" Receiver
1	RECEIVER1		4" Receiver tube

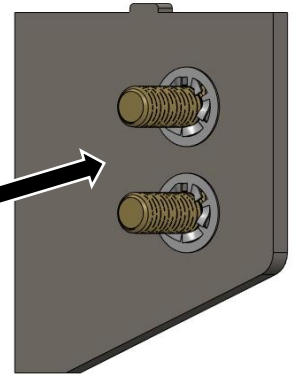
All seams on the bumper should be welded and blended before installation of other components.



Tube, Chain loops and gussets need to be assembled as shown.



Hardware as shown needs to be installed before welding the mounting pads to the body.



Professional Services Disclaimer:

The content of all pages of this website (collectively, the "Website"), such as text, graphics, images, information and other material (collectively, "Content") is for informational purposes only. Any information furnished on this Website is not intended nor implied to be automotive advice and is not intended to replace personal consultation with a qualified automotive service technician, mechanic, or similar automotive professional.

Barnes 4WD has not examined the Content for accuracy, timeliness, completeness, appropriateness, or helpfulness. Barnes 4WD does not endorse any specific tests, products, procedures, opinions, or other information that may be mentioned on this Website. Your reliance upon information and Content obtained by you at or through this Website is solely at your own risk. IN NO EVENT SHALL BARNES 4WD BE LIABLE OR OTHERWISE RESPONSIBLE FOR ANY DAMAGE OR INJURY (INCLUDING DEATH) TO YOU, OTHER PERSONS, OR PROPERTY ARISING FROM ANY USE OF ANY PRODUCT, INFORMATION, IDEA, OR INSTRUCTION CONTAINED IN THE CONTENT.

BARNES 4WD DOES NOT MAKE ANY REPRESENTATION OR WARRANTY, EXPRESS OR IMPLIED, AT LAW OR IN EQUITY, WITH RESPECT TO ANY PRODUCT FEATURED ON THE WEBSITE, INCLUDING WITHOUT LIMITATION WITH RESPECT TO MERCHANTABILITY, FITNESS FOR ANY PARTICULAR PURPOSE, VALUE, VALIDITY, OR ENFORCEABILITY, AND ANY AND ALL SUCH OTHER REPRESENTATIONS OR WARRANTIES ARE HEREBY EXPRESSLY DISCLAIMED.