



2" Bumper Spacer & Adapter For Jeep Wrangler & Gladiator 2007-Current Installation Instructions

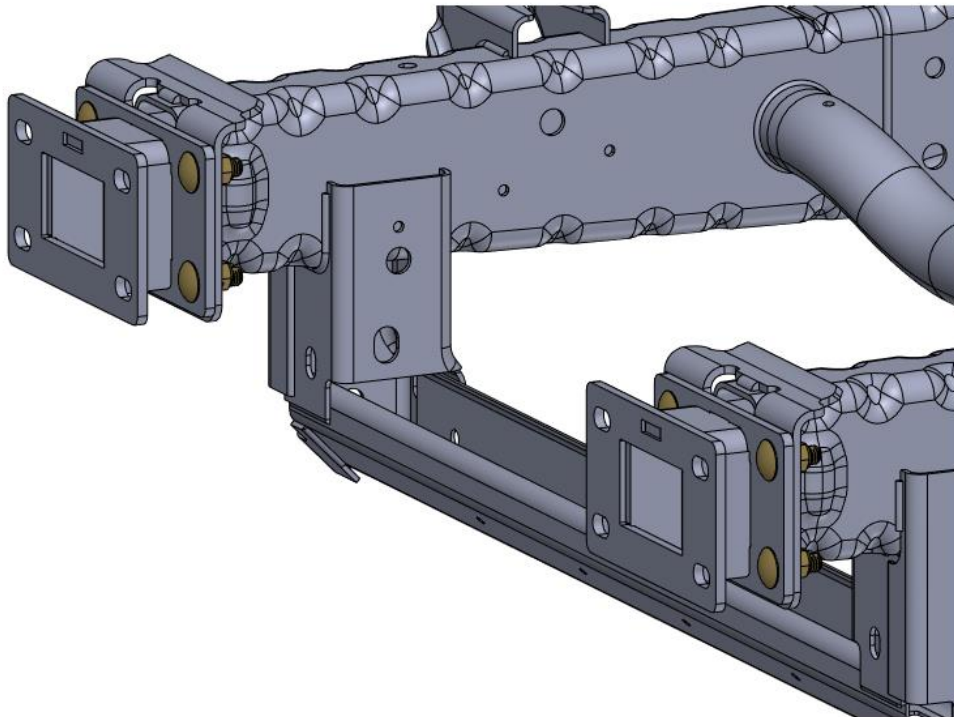
Thank you for purchasing our 2" Bumper Spacer & Adapter for Jeep Wrangler & Gladiator 2007-Current!

Installation Notes:

- This product is intended for use on 2007-Current Jeep Wranglers and 2020-Current Jeep Gladiator
- We cannot guarantee compatibility with all aftermarket bumper and winch combinations.
- Reviewing the provided dimensional drawing is recommended.

Tools required:

- 5/8" Wrench



Contents of each box

Bill Of Materials For B4WK12761			
QTY	Part Number	Etch Number	Description
2	B4WK12762		Bumper Spacer & Adapter Wrangler & Gladiator Weldment
8	43C150BCG8Y		7/16-14 X 1-1/2 Grade 8 Carriage Bolt Zinc Yellow
8	43CNNEOY/GC		7/16-14 NYLOCK
8	43NWSA0Z		7/16 Washer

Step1:

Remove the front bumper according to the factory service manual.

Step2:

Test fit the spacers on both the frame mounts and bumper mounting locations with any additional accessories, winches or lights that might contact mounting flanges installed.

Step3:

Once the items have been test fit, and compatibility confirmed paint or powder coat of your choice needs to be applied.

Step4:

Install the spacers with the provided hardware to the frame as you would to attach a bumper according to the factory service manual.

Step5:

Install the front bumper to the spacers according to the factory service manual.

Congratulations, the installation is complete!

Professional Services Disclaimer:

The content of all pages of this website (collectively, the "Website"), such as text, graphics, images, information and other material (collectively, "Content") is for informational purposes only. Any information furnished on this Website is not intended nor implied to be automotive advice and is not intended to replace personal consultation with a qualified automotive service technician, mechanic, or similar automotive professional.

Barnes 4WD has not examined the Content for accuracy, timeliness, completeness, appropriateness, or helpfulness. Barnes 4WD does not endorse any specific tests, products, procedures, opinions, or other information that may be mentioned on this Website. Your reliance upon information and Content obtained by you at or through this Website is solely at your own risk. IN NO EVENT SHALL BARNES 4WD BE LIABLE OR OTHERWISE RESPONSIBLE FOR ANY DAMAGE OR INJURY (INCLUDING DEATH) TO YOU, OTHER PERSONS, OR PROPERTY ARISING FROM ANY USE OF ANY PRODUCT, INFORMATION, IDEA, OR INSTRUCTION CONTAINED IN THE CONTENT.

BARNES 4WD DOES NOT MAKE ANY REPRESENTATION OR WARRANTY, EXPRESS OR IMPLIED, AT LAW OR IN EQUITY, WITH RESPECT TO ANY PRODUCT FEATURED ON THE WEBSITE, INCLUDING WITHOUT LIMITATION WITH RESPECT TO MERCHANTABILITY, FITNESS FOR ANY PARTICULAR PURPOSE, VALUE, VALIDITY, OR ENFORCEABILITY, AND ANY AND ALL SUCH OTHER REPRESENTATIONS OR WARRANTIES ARE HEREBY EXPRESSLY DISCLAIMED.