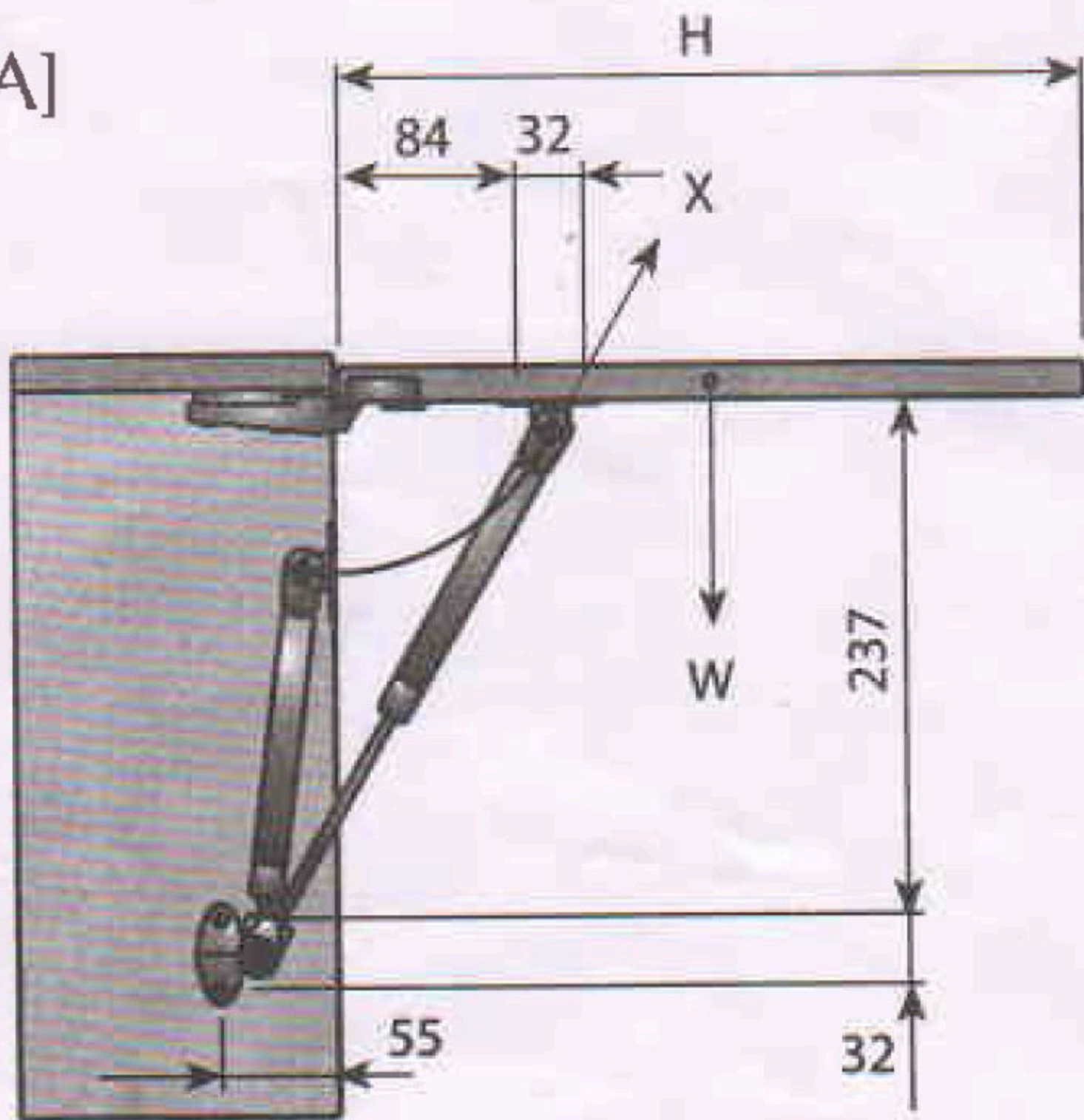
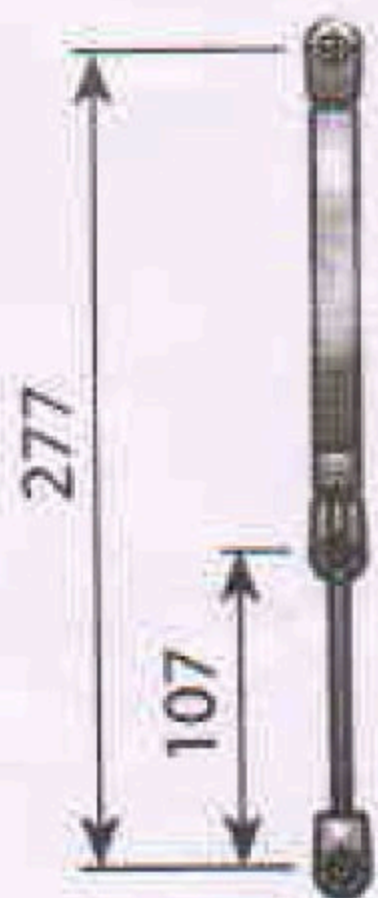
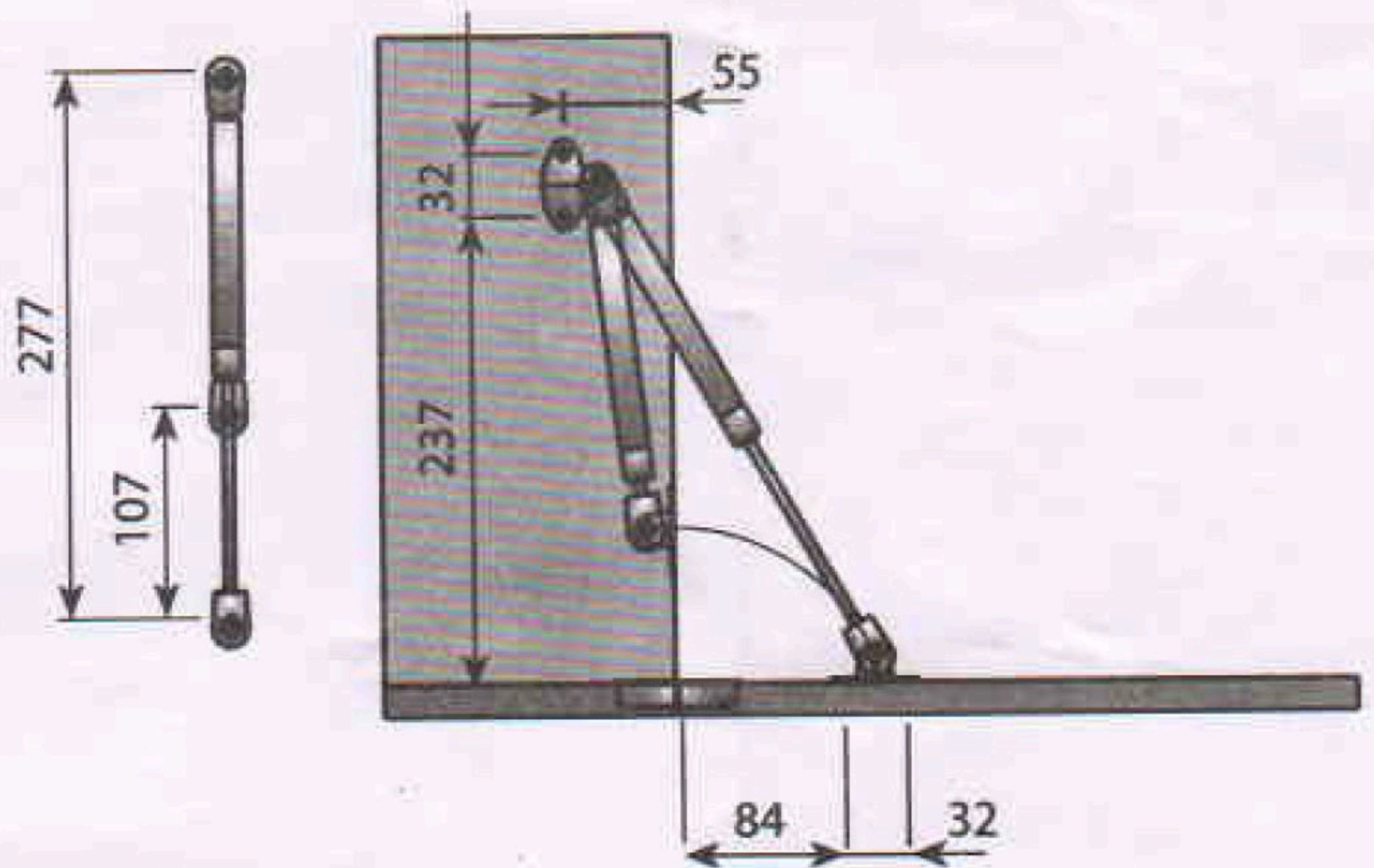


A GAS LIFT[A]



B GAS STAY [B]



To evaluate the required lifting forces use:

$$X = \frac{6 \times W \times H}{1000}$$

H = Door height (mm)

W = Door weight (kg)

X = Lifting force (kg)

2 Stays: divide X/2