

VIONARO

Drawer H121



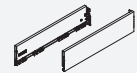
- The elegant intermediate height for special applications
- 4-dimensional adjustment
- Integrated side, height and tilt angle adjustment
- Depth adjustment optional
- 90° straight inner and outer sides
- Slim 13 mm drawer side width
- Tool-free fitting of front
- No need to machine the bottom panel

Note:

- Front-bottom connector recommended for KB 600 mm and above (see page 491)

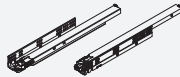
ORDER INFORMATION

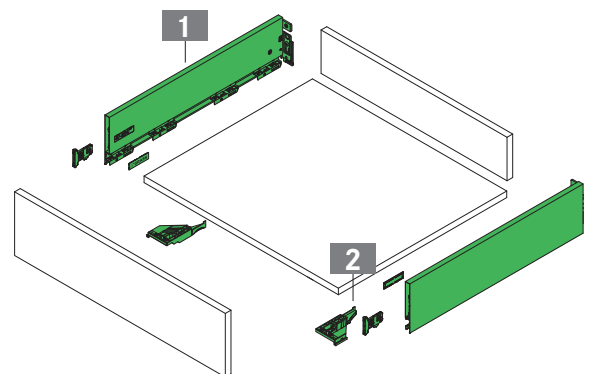
| 1 Vionaro drawer sides H121 Set: one left, one right | | | | | | | | | | | | |
|---|-------------|--|--|--|------------|--|--|--|------------|--|--|--|
| NL | Steel | | | | | | | | | | | |
| | Silver grey | | | | Graphite | | | | Snow white | | | |
| | Art. No. | | | | Art. No. | | | | Art. No. | | | |
| 350 | F135124112 | | | | F135124212 | | | | F135124312 | | | |
| 400 | F135124118 | | | | F135124218 | | | | F135124318 | | | |
| 450 | F135124124 | | | | F135124224 | | | | F135124324 | | | |
| 500 | F135124130 | | | | F135124230 | | | | F135124330 | | | |
| 550 | F135124136 | | | | F135124236 | | | | F135124336 | | | |



| 2 Vionaro accessories for H89/H121 Set: cover cap (inside, with embossed GRASS logo), front locking device and front holder, one left, one right | | | | | | | | | | | | |
|---|------------------------|-------------|-------------------|------------|--|------------|--|------------|--|------------|--|------------|
| | Description | Silver grey | | | | Graphite | | | | Snow white | | |
| | | Art. No. | | | | Art. No. | | | | Art. No. | | |
| | | | For screw fitting | F136100121 | | | | F136100123 | | | | F136100125 |
| | Expansion dowel Ø 8 mm | F136100122 | | | | F136100124 | | | | F136100126 | | |



| | |
|--------------------------------------|---|
| Dynapro slides from page 476 onwards |  |
|--------------------------------------|---|



PAGE REFERENCES

| | | | | | |
|-------------------------------------|-----|-----------------------|-----|---------------------|-----|
| Tipmatic Soft-close | 478 | Application examples | 492 | Sensomatic | 617 |
| Inset panels | 482 | Technical information | 500 | Assembly technology | 637 |
| Accessories – individual components | 490 | Organising systems | 605 | Assembly aids | 664 |

PLANNING DIMENSIONS

All dimensions in millimetres

| Front panel installation dimensions | Back panel installation dimensions | Cutting dimensions for 16 mm chipboard |
|--|--|--|
| | | |
| <p>Minimum installation depth</p> | <p>Back panel screw fitting (KB ≥ 275)</p> | <p>Back panel screw fitting (KB ≥ 600)</p> |
| <p>Mounting positions for full extension slide</p> | | |
| | | |

LEGEND

| | | | | | |
|------|---------------------------------|-----|----------------------------|-----|-------------------|
| B/BB | Bottom panel/bottom panel width | KB | Cabinet width | NL | Nominal length |
| BL | Bottom panel length | KV | Cabinet front edge | RW | Back panel |
| FAS | Front overlay, side | LWK | Inside cabinet width | RWB | Back panel width |
| FST | Front overlay | MET | Minimum installation depth | RWH | Back panel height |

