

KINVARO

T-105 flap stay



- Variable opening angle, holds flaps securely from 45° to 105°
- Spring-supported opening function
- Convenient access, flap lifts clear of the work area
- Can be used for wooden flaps
- Allows additional cabinet installation above
- Maintenance-free, no readjustment required
- High-quality zinc diecasting, nickel-plated
- Range of flaps:
Width: up to 1200 mm
Weight: 250–500 mm

Note:

- Tiomos 120° hinges with spring, without damper, and Tiomos mounting plates for top panel must be ordered separately



APPLICATION RANGE

Cabinet height	Number of flap stays	Flap weight incl. handle (kg)	
		Spring, standard	Spring, black
250	1	1.4–4.4	3.0–5.5
	2	3.4–8.9	6.0–11.1
300	1	1.6–4.3	2.8–5.2
	2	3.2–8.6	5.5–10.4
350	1	1.3–4.1	2.4–4.8
	2	2.6–8.1	4.8–9.5
400	1	1.3–3.4	2.2–4.0
	2	2.6–6.8	4.3–8.1
450	1	1.2–3.0	1.9–3.8
	2	2.4–6.1	3.8–7.4
500	1	1.1–2.9	1.7–3.5
	2	2.2–5.8	3.3–6.7

ORDER INFORMATION

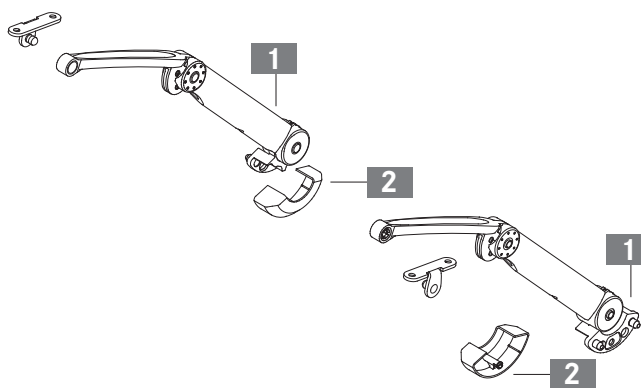
Kinvaro T-105 set						
Designation	Springs	Version for	Overlay	Left	Right	
Kinvaro T-105 right, adjustable standard springs, incl. black cover cap	Standard	Wood	Variable	F151145220	F151145221	
	Black			F151145218	F151145219	

Note:

Tiomos 120° hinges with spring, without damper, and Tiomos mounting plates for top panel must be ordered separately.

Kinvaro T-105 set comprises:

- 1 Fitting, right or left (1x)
- 2 Cover caps, right or left, in black (1x)
Paper template (1x)
Installation instructions (1x)

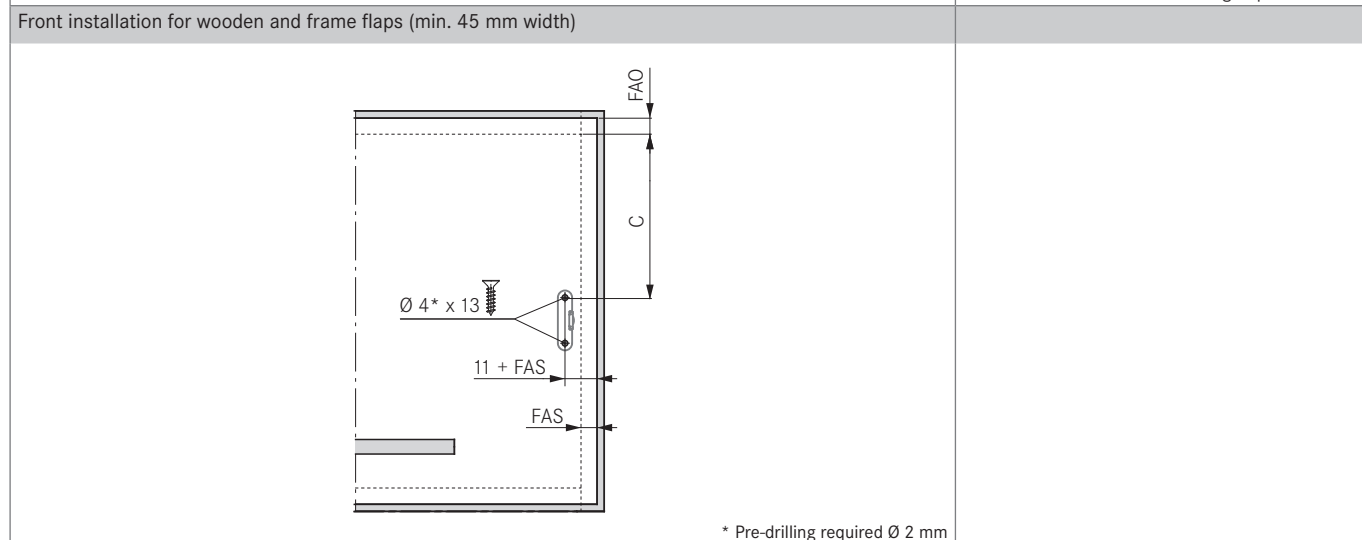
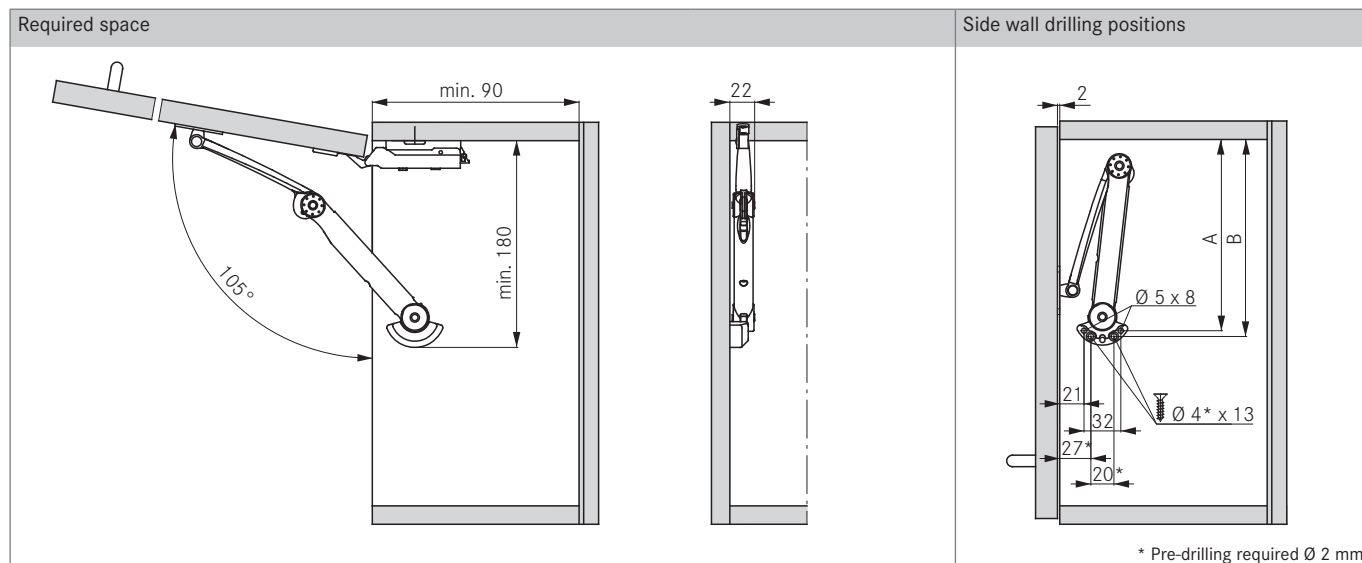


PAGE REFERENCES

Kinvaro T-105 adjustment options	282
Assembly aids	656

ASSEMBLY AND INSTALLATION INSTRUCTIONS

All dimensions in millimetres



Opening angle	A	B	C
95°	169 + MH	174 + MH	118 + MH
≥ 105°	164 + MH	169 + MH	113 + MH

Minimum reveal and door protrusion depend on the hinge fitted.
You can find suitable hinges in the hinge systems product catalogue.

The installation dimensions apply to hinges with 0 cranking and the respective mounting plate height.

The opening angle can vary between approx. 95° and 105° depending on the type of hinge and application method.

Calculation of flap weight

Flap width x flap height x flap thickness x density ¹ + weight of handle ² = weight of flap

¹ Densities: MDF board 0.85 kg/dm³, chipboard 0.65 kg/dm³, spruce/pine 0.45 kg/dm³

² For bar handles, allow 0.1 kg per 100 mm of handle length. We recommend a trial fitting

LEGEND

- A Side wall fastening dimension
- B Side wall fastening dimension
- C Front fastening dimension
- FAO Front overlay, top
- FAS Front overlay, side
- MH Mounting plate height

