

KINVARO

D-M flap stay with pull cable



- Damped opening and gentle closing
- Opening angle adjustable via length of pull cable
- Spring force adjustment
- Can be used with shallow cabinets from 110 mm depth
- Flap height 200–480 mm
- Can be used on left/right
- Easy to install horizontally or vertically
- Colours White, Night and Smoke
- Designed for combination with Tiomos flap hinge

Note:

- Tiomos flap hinges must be ordered separately



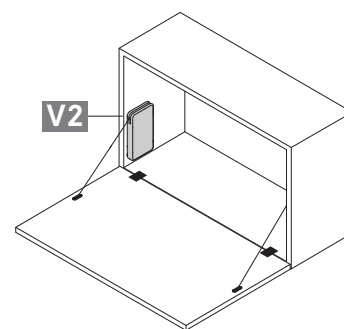
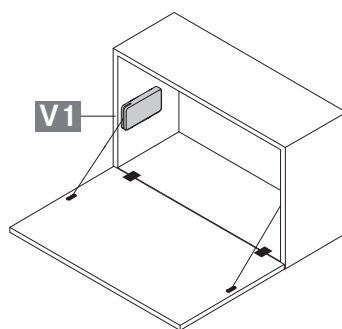
APPLICATION RANGE

Front height (FH)	V1								V2							
	Flap weight incl. handle (kg)								Flap weight incl. handle (kg)							
	Spring 60N		Spring 100N		Spring 160N		Spring 200N		Spring 60N		Spring 100N		Spring 160N		Spring 200N	
	1 x	2 x	1 x	2 x	1 x	2 x	1 x	2 x	1 x	2 x	1 x	2 x	1 x	2 x	1 x	2 x
200-230	4.0-4.8	-	4.2-6.2	-	5.8-8.0	-	7.2-10.4	-	4.1-5.9	-	5.3-7.3	-	-	-	-	-
230-270	3.0-4.4	6.0-8.4	3.6-5.2	6.8-9.6	5.2-7.0	-	6.8-8.6	-	3.3-4.8	6.8-9.6	4.2-6.0	9.6-12.8	-	-	-	-
270-330	2.9-3.8	5.6-7.8	3.0-4.6	6.4-8.8	4.6-6.0	8.6-11.8	6.4-7.8	-	3.2-4.5	6.3-8.1	3.8-5.1	7.9-11.1	6.1-8.0	12.9-15.5	-	-
330-380	2.7-3.7	5.0-7.0	3.2-4.3	6.5-8.5	4.3-5.7	8.7-11.1	5.5-7.1	11.9-13.5	2.6-3.4	5.0-6.5	3.3-4.5	7.3-8.5	5.3-6.5	10.7-12.9	6.7-7.3	13.3-14.9
380-430	2.9-3.6	4.5-6.1	3.1-3.9	5.7-7.3	4.5-6.1	8.5-10.1	5.4-6.9	10.9-12.5	2.5-3.4	5.0-6.2	3.2-4.2	6.2-8.2	4.8-5.6	9.8-11.4	5.9-6.6	11.8-13.0
430-460	2.7-3.1	4.3-6.1	2.7-3.9	5.9-8.3	4.1-4.9	8.3-9.5	5.3-5.7	10.1-11.5	2.3-3.0	4.6-6.2	3.0-3.8	6.2-7.8	4.6-5.4	9.0-10.4	5.6-6.0	11.4-12.2
460-480	2.5-2.9	4.1-5.7	2.8-3.8	5.3-7.7	3.8-4.8	7.2-9.6	5.4-5.6	9.8-11.4	2.4-3.2	4.6-6.0	2.8-4.0	5.6-7.8	4.5-5.4	8.8-10.4	5.4-6.0	10.8-11.6

ORDER INFORMATION

Kinvaro D-M flap stay			
Designation	Spring	Colour	Art. No.
Kinvaro D-M flap stay incl. front holder and fastening screws	60N	Grey	F053139661
	100N	Grey	F053139662
	160N	Grey	F053139686
	200N	Grey	F053139687

Kinvaro D-M cover cap		
Designation	Colour	Art. No.
Cover cap for Kinvaro D-M White, Night, Smoke	White	F053139668
	Night	F053139669
	Smoke	F053139670



Note:

Tiomos flap hinges must be ordered separately.

PAGE REFERENCES

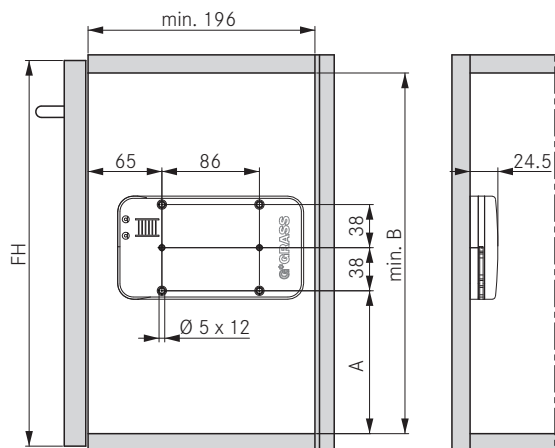
Tiomos flap hinge	289
Kinvaro D-M adjustment options	298
Assembly aids	656

ASSEMBLY AND INSTALLATION INSTRUCTIONS

All dimensions in millimetres

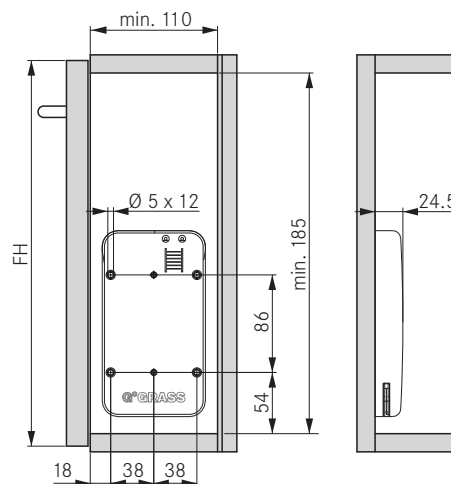
Drilling position and space required

V1

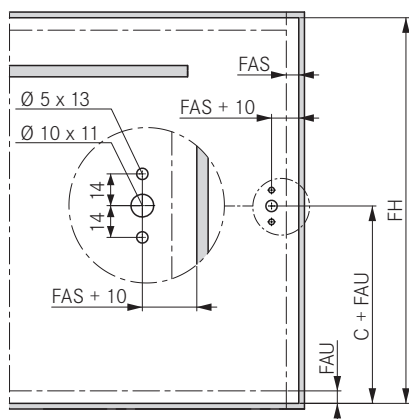


FH	A	B
200-330	102	194
330-430	126	218
430-480	136	228

V2



Front mounting for wooden flaps



FH	C (V1)	C (V2)
200-330	137	161
330-430	161	161
430-480	171	161

Minimum reveal and door protrusion depend on the hinge fitted.
You can find suitable hinges in the hinge systems product catalogue.

Calculation of flap weight

Flap width x flap height x flap thickness x density ¹ + weight of handle ² = weight of flap

¹ Densities: MDF board 0.85 kg/dm³, chipboard 0.65 kg/dm³, spruce/pine 0.45 kg/dm³

² For bar handles, allow 0.1 kg per 100 mm of handle length. We recommend a trial fitting

LEGEND

- FAS Front overlay, side
- FAU Front overlay, bottom
- FH Front height

1

2

3

4

5

6

7

8