

DYNAPRO SOFT-CLOSE

Full extension slide 40/70 kg



- Excellent running characteristics
- Fully synchronised slide technology
- Soft-close damping system
- Maximum lateral stability
- Minimum drawer deflection
- Stepless self-locking of the drawer when pushed onto the slide
- Tool-free 4D adjustment facility with zamak front locking device:
 - Height adjustment + 3.5 mm
 - Tilt angle adjustment + 4 mm
 - Side adjustment ± 1.5 mm
 - Depth adjustment + 3.5 mm (optional)

ORDER INFORMATION

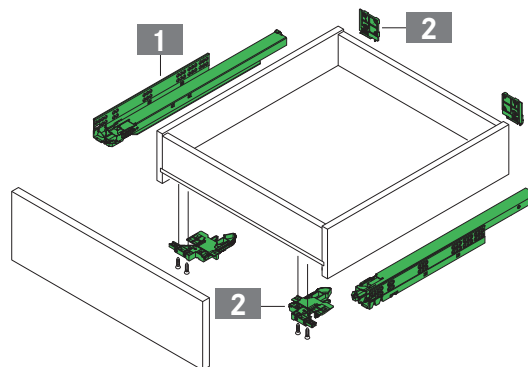
1 Dynapro full extension slide Soft-close Set: one left, one right					
NL	40 kg		70 kg		
	Art. No.		Art. No.		
250	F130107790		-		
270	F130107793		-		
300	F130107796		-		
320	F130107799		-		
350	F130107802		-		
380	F130107805		-		
400	F130107808		-		
420	F130107811		-		
450	F130107814		F130107832		
480	F130107817		-		
500	F130107820		F130107838		
520	F130107823		F130107841		
550	F130107826		F130107844		
580	-		F130107847		
600	F130107829		F130107850		
650	-		F130107853		
700*	-		F130107856		
750*	-		F130107859		

* Load capacity 50 kg

2 Dynapro 3D set Front locking device (2D) and adjustment adapter (1D), one left, one right					
Art. No.					
F134125074					

Individual components					
Description		Art. No.			
Front locking device (2D) Set: one left, one right		F134115305			
Adjustment adapter (1D) Set: one left, one right		F134115306			

Optional: Depth adjustment (1D) for Dynapro 3D set Set: one left, one right					
Art. No.					
F134101313					



PAGE REFERENCES

Pull-out shelf	544	Sensomatic	617		
Application examples	546	Assembly aids	668		
Technical information	550				

PLANNING DIMENSIONS

All dimensions in millimetres

Installation dimensions

Drawer

Inset drawer

	NL	SKL	MET
	250	240	253
	270	260	273
	300	290	303
	320	310	323
	350	340	353
	380	370	383
	400	390	403
	420	410	423
	450	440	453
	480	470	483
	500	490	503
	520	510	523
	550	540	553
	580	570	583
	600	590	603
	650	640	653
	700	690	703
	750	740	753

Mounting position for front locking device

Mounting position for adjustment adapter

Mounting positions for full extension slide

LEGEND

HV	Height adjustment	MET	Minimum installation depth	SV	Side adjustment
KV	Cabinet front edge	NL	Nominal length	TV	Depth adjustment
LWK	Inside cabinet width	NV	Tilt angle adjustment		
LWS	Inside drawer width	SKL	Drawer length		

