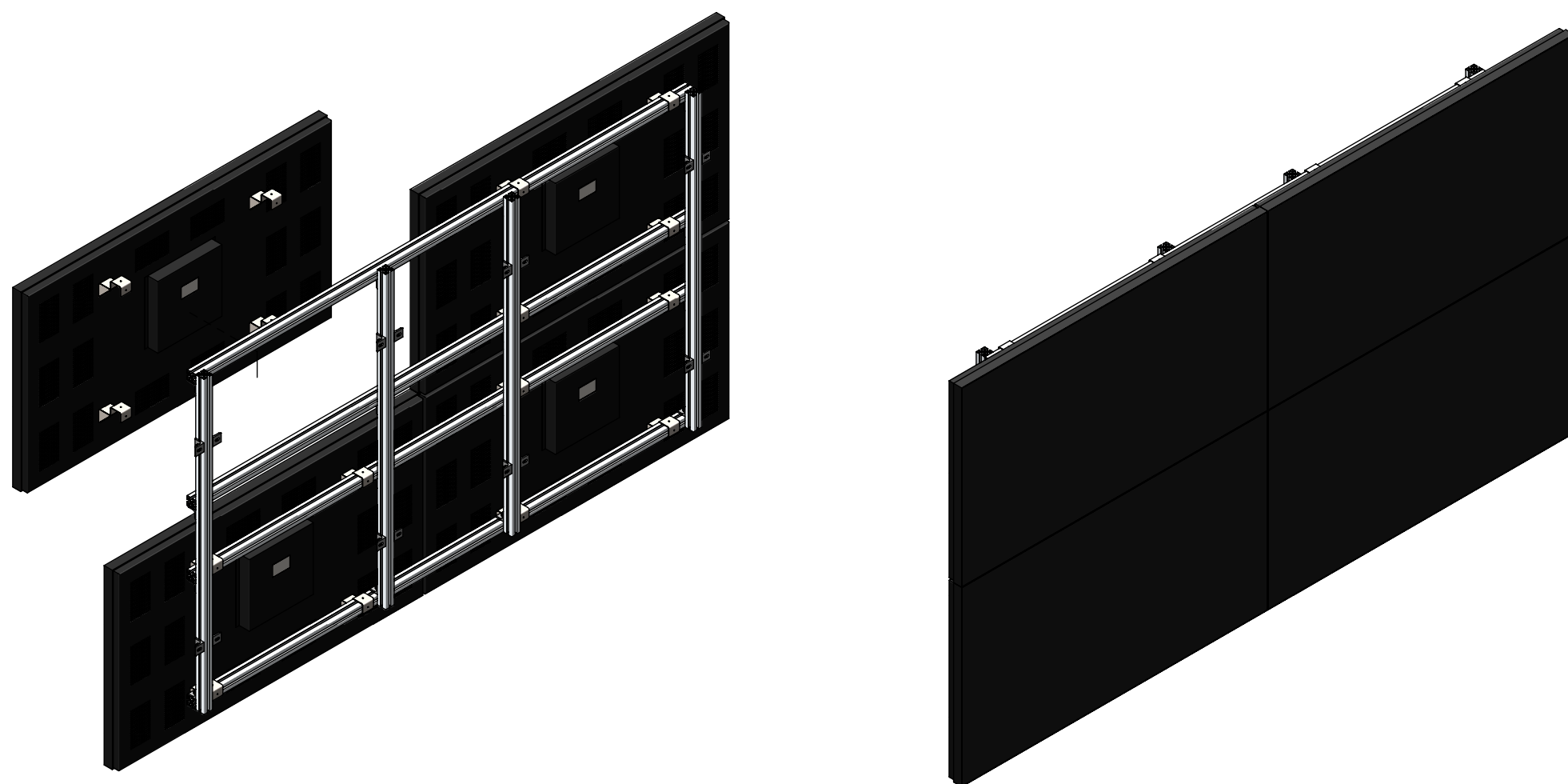
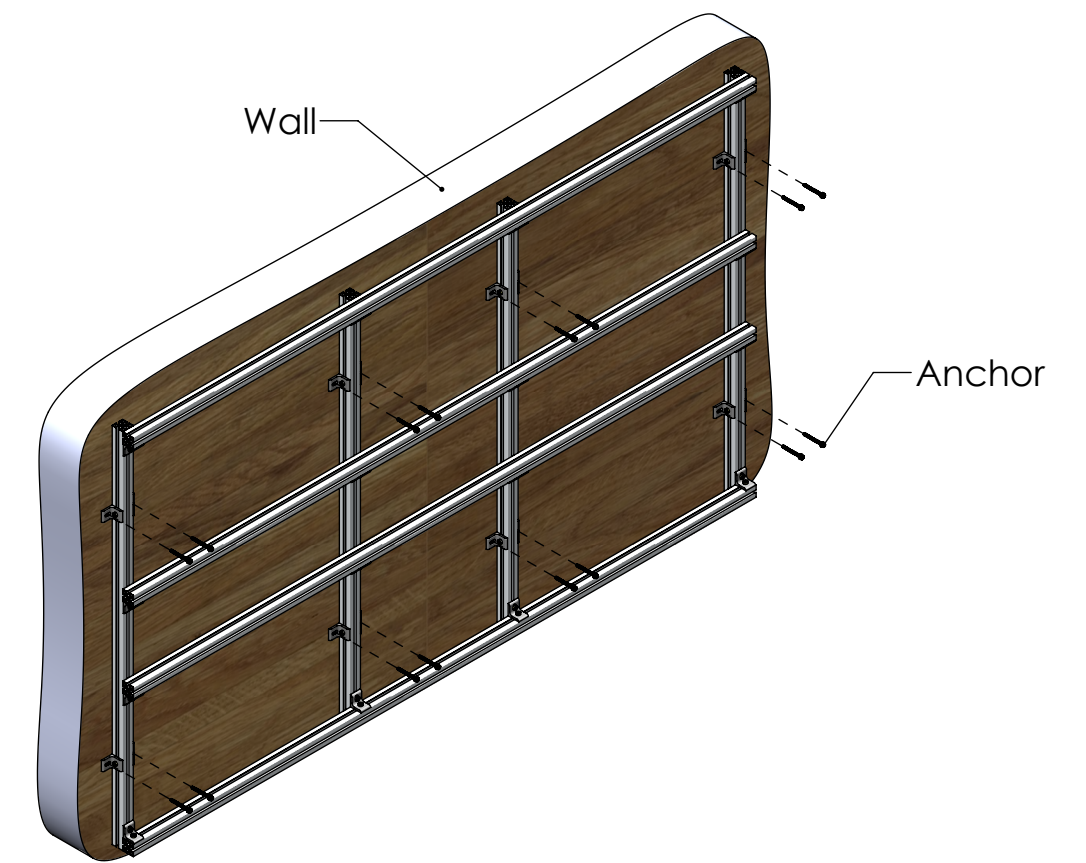


DETAIL A  
SCALE 1 : 2



NOTES:

- Dimensions are in inches/[mm].
- TV installation begins from the bottom row.

ITEM NO.	Part NO.	Description	Material	Weight	Q-ty
2		65" Display	Assembly	42.3	4
1	BL-VW22-4K-65-2x2_01	65" Display Mounting Frame 2x2	Assembly	31.8	1

UNLESS OTHERWISE SPECIFIED:		NAME	DATE	
DIMENSIONS ARE IN INCHES		DRAWN	SL	
TOLERANCES:		CHECKED	TE	
FRACTIONAL: ±1/64		ENG APPR.		
ANGULAR: MACH ±.5°		MFG APPR.		<b>Display Wall System</b> <b>65" 2x2</b>
ONE PLACE DECIMAL ±0.1"		Q.A.	TE	
TWO PLACE DECIMAL ±0.01"		COMMENTS:		SIZE DWG. NO. REV <b>C</b> BL-VW22-4K-65-2x2
THREE PLACE DECIMAL ±0.005"		1. THIRD ANGLE PROJECTION		
MACHINED SURFACE 125 µin.		MATERIAL		SCALE: 1:20 WEIGHT: 201.0 SHEET 1 OF 1
INTERPRET GEOMETRIC TOLERANCING PER ASME Y14.5M - 2009.		FINISH		
NEXT ASSY	USED ON	APPLICATION		
		DO NOT SCALE DRAWING		

**PROPRIETARY AND CONFIDENTIAL**  
 THIS DRAWING AND THE INFORMATION AND TECHNICAL DATA CONTAINED HEREIN ARE THE EXCLUSIVE PROPERTY OF Brightlink AV LTD. AND SHALL BE RETURNED TO THEM UPON REQUEST. THIS DRAWING CONTAINS PROPRIETARY AND CONFIDENTIAL INFORMATION AND IS NOT TO BE REPRODUCED IN WHOLE OR IN PART OR DISCLOSED TO ANYONE ELSE WITHOUT THE EXPRESS WRITTEN CONSENT OF Brightlink AV LTD.