

4

3

2

1

2218.63 mm x 4 Profile Bars

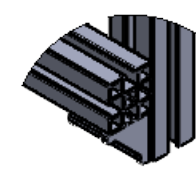
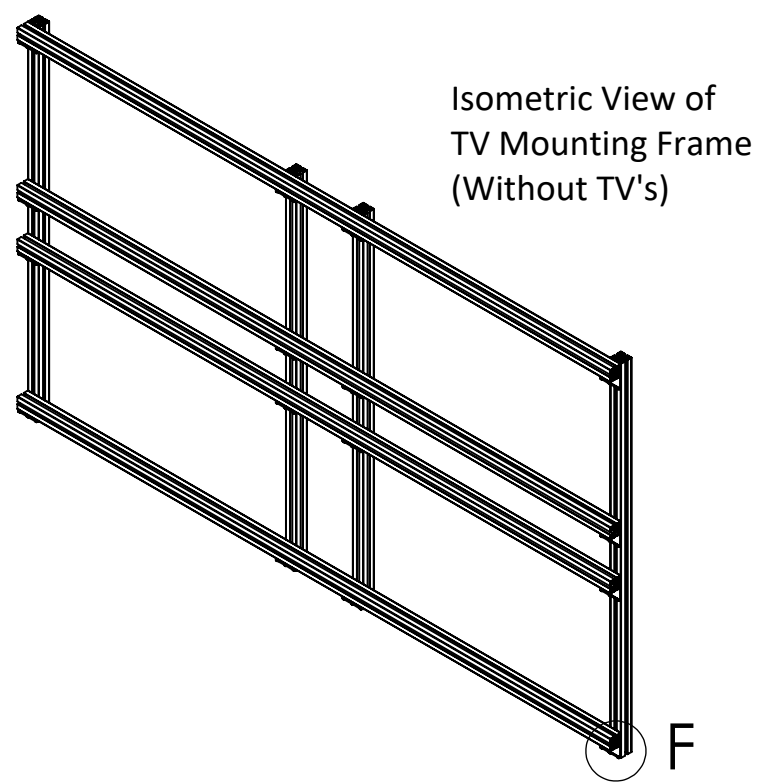
1214.50

964.13

685.30

510.00

1277.30 mm x 4 Profile Bars



Brackets will be used to secure the profile bars on their exact position. Total of 16 such Brackets will be used.

DETAIL F

SCALE 1 : 5

		UNLESS OTHERWISE SPECIFIED:		NAME	DATE
		DIMENSIONS ARE IN INCHES		DRAWN	Aeyron 5/25/21
		TOLERANCES:		CHECKED	
		FRACTIONAL ±		ENG APPR.	
		ANGULAR: MACH ± BEND ±		MFG APPR.	
		TWO PLACE DECIMAL ±		Q.A.	
		THREE PLACE DECIMAL ±		COMMENTS:	
		INTERPRET GEOMETRIC TOLERANCING PER:		TITLE: TV Mounting Frame Assembly (2x2 , Back view with TV's)	
		MATERIAL			
		FINISH			
NEXT ASSY	USED ON	All the dimenisons are in mm		SIZE	DWG. NO.
APPLICATION		DO NOT SCALE DRAWING		B	
				SCALE: 1:20	WEIGHT:
				SHEET 1 OF 1	

PROPRIETARY AND CONFIDENTIAL
 THE INFORMATION CONTAINED IN THIS DRAWING IS THE SOLE PROPERTY OF <INSERT COMPANY NAME HERE>. ANY REPRODUCTION IN PART OR AS A WHOLE WITHOUT THE WRITTEN PERMISSION OF <INSERT COMPANY NAME HERE> IS PROHIBITED.

4

3

2

1