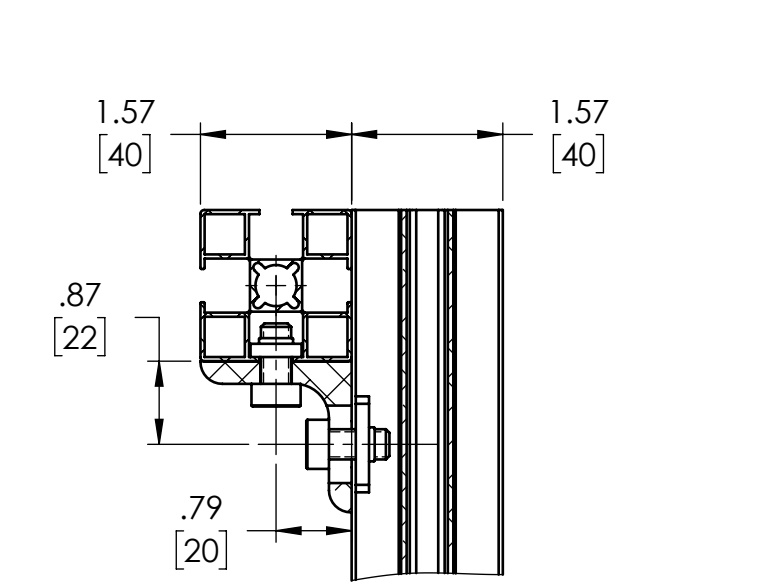
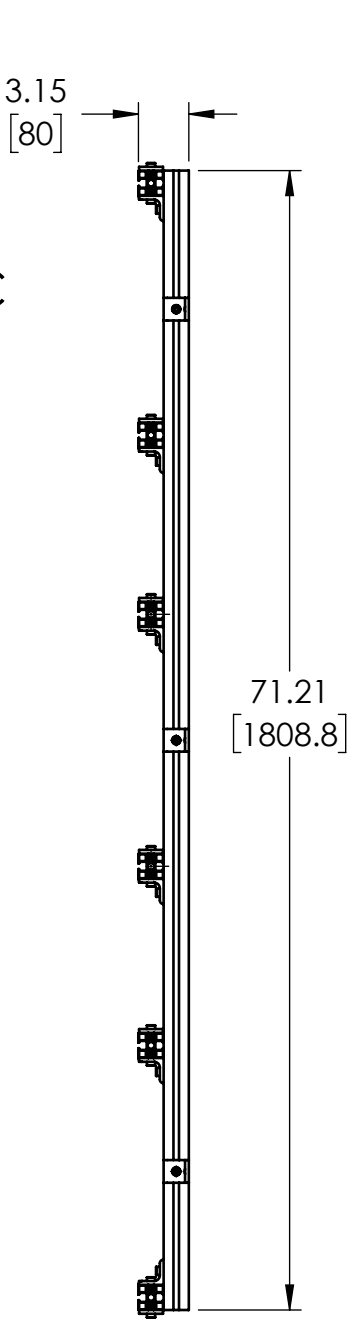
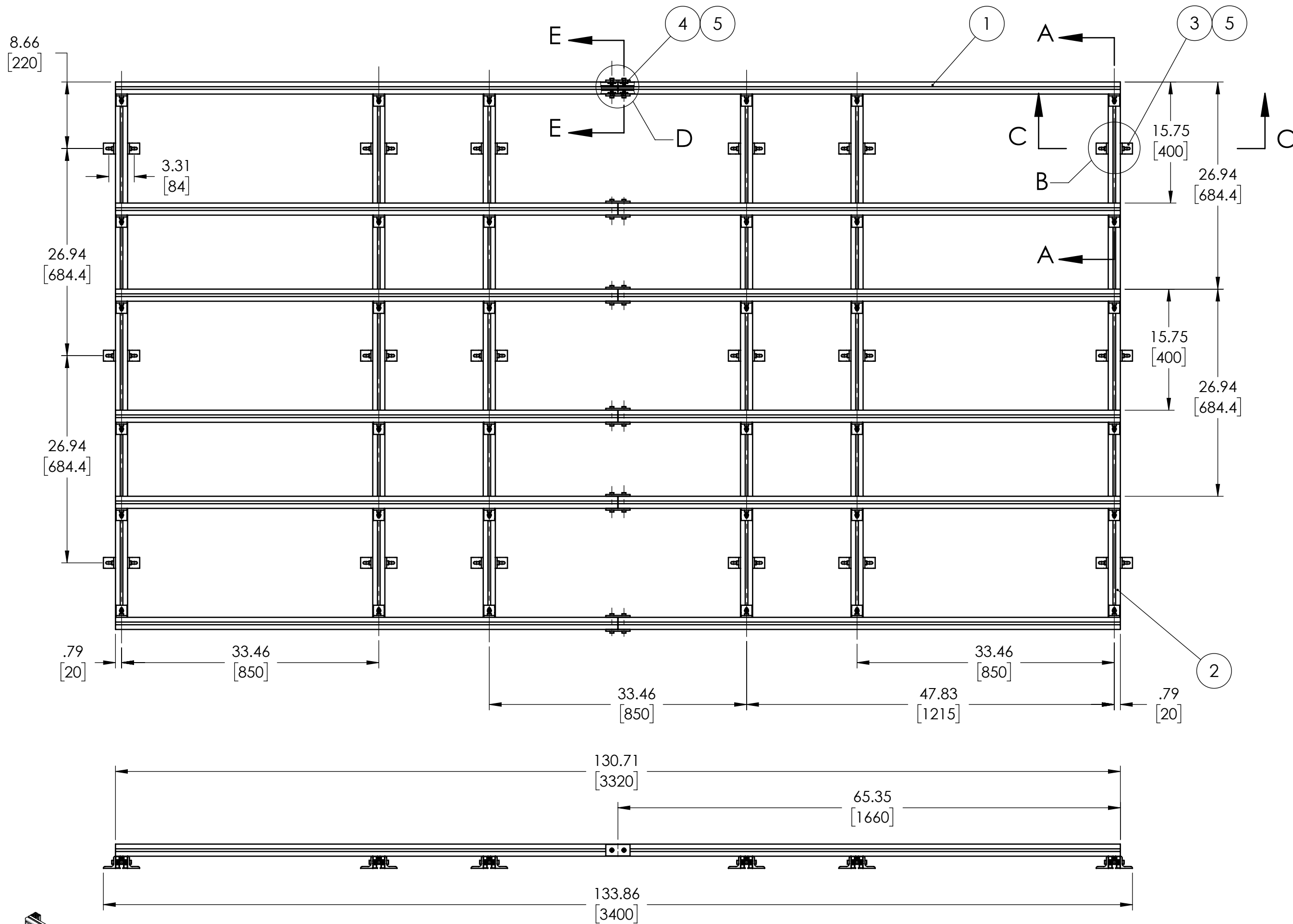


4

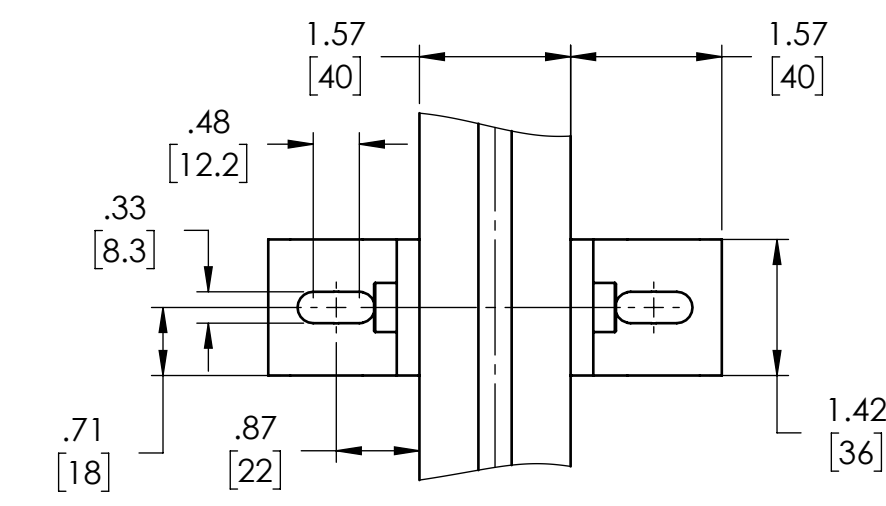
3

2

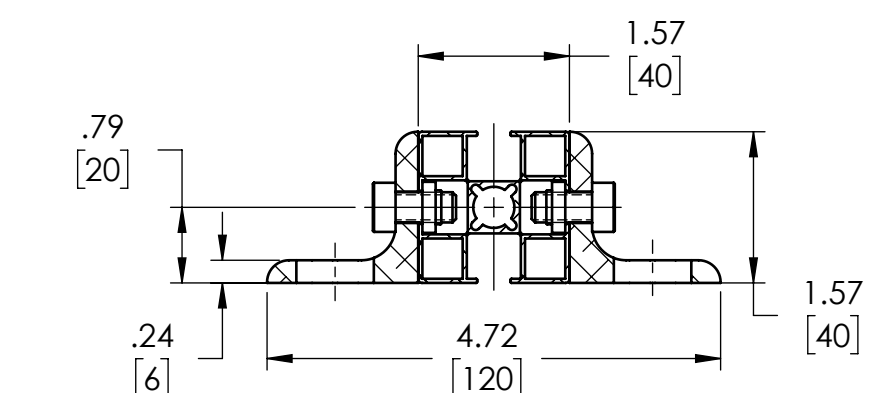
1



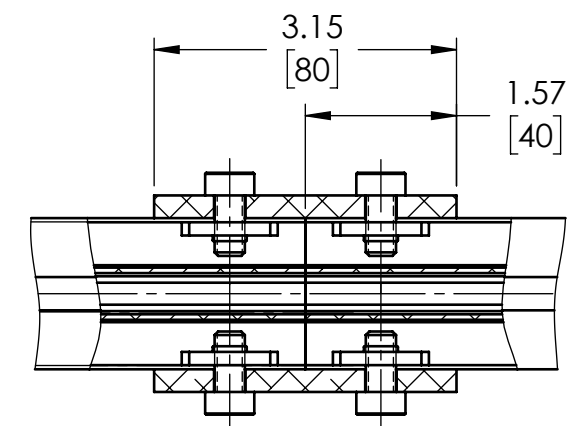
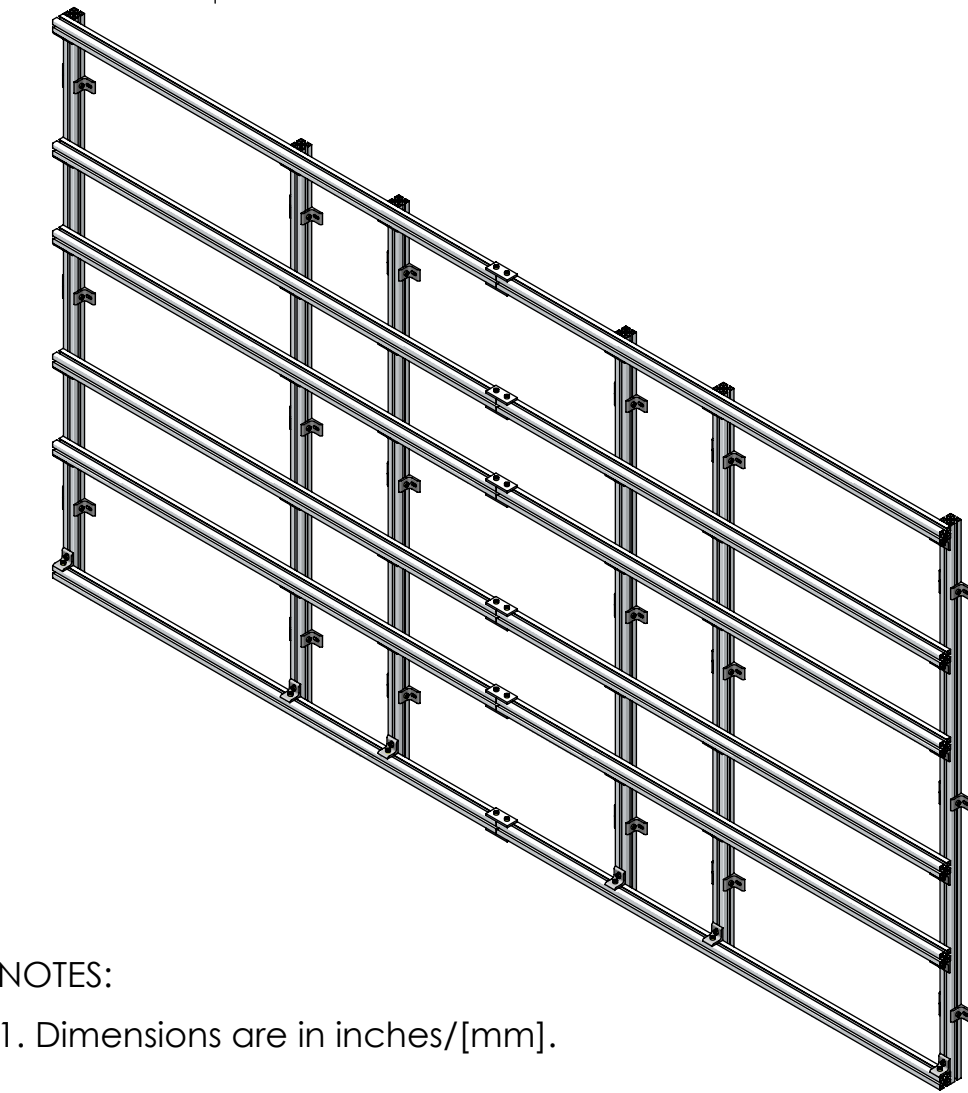
SECTION A-A
SCALE 1 : 2



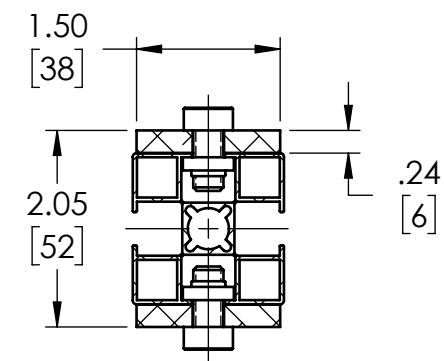
DETAIL B
SCALE 1 : 2



SECTION C-C
SCALE 1 : 2



DETAIL D
SCALE 1 : 2



SECTION E-E
SCALE 1 : 2

NOTES:
1. Dimensions are in inches/[mm].

PROPRIETARY AND CONFIDENTIAL
THIS DRAWING AND THE INFORMATION AND TECHNICAL DATA CONTAINED HEREIN ARE THE EXCLUSIVE PROPERTY OF Brightlink AV LTD. AND SHALL BE RETURNED TO THEM UPON REQUEST. THIS DRAWING CONTAINS PROPRIETARY AND CONFIDENTIAL INFORMATION AND IS NOT TO BE REPRODUCED IN WHOLE OR IN PART OR DISCLOSED TO ANYONE ELSE WITHOUT THE EXPRESS WRITTEN CONSENT OF Brightlink AV LTD.

ITEM NO.	Part NO	Description	Material	Weight	Q-ty
5	-/5136	Screw/Nut	Fastening Kit M8x16 For T-Slotted Framing	0.04	132
4	6041	Plate	Joint Plate For T-Slotted Framing	0.10	12
3		Bracket	Bracket For T-Slotted Framing	0.09	72
2	L=71.21"/1808.80mm	Profile	T-Slotted Profile GB4040C	3.30	6
1	L=65.35"/1660mm	Profile	T-Slotted Profile GB4040C	3.02	12

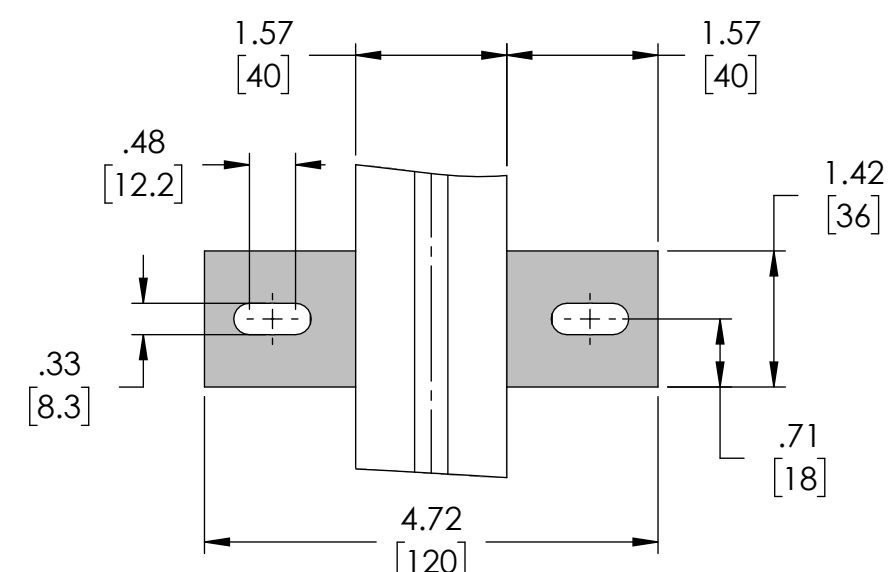
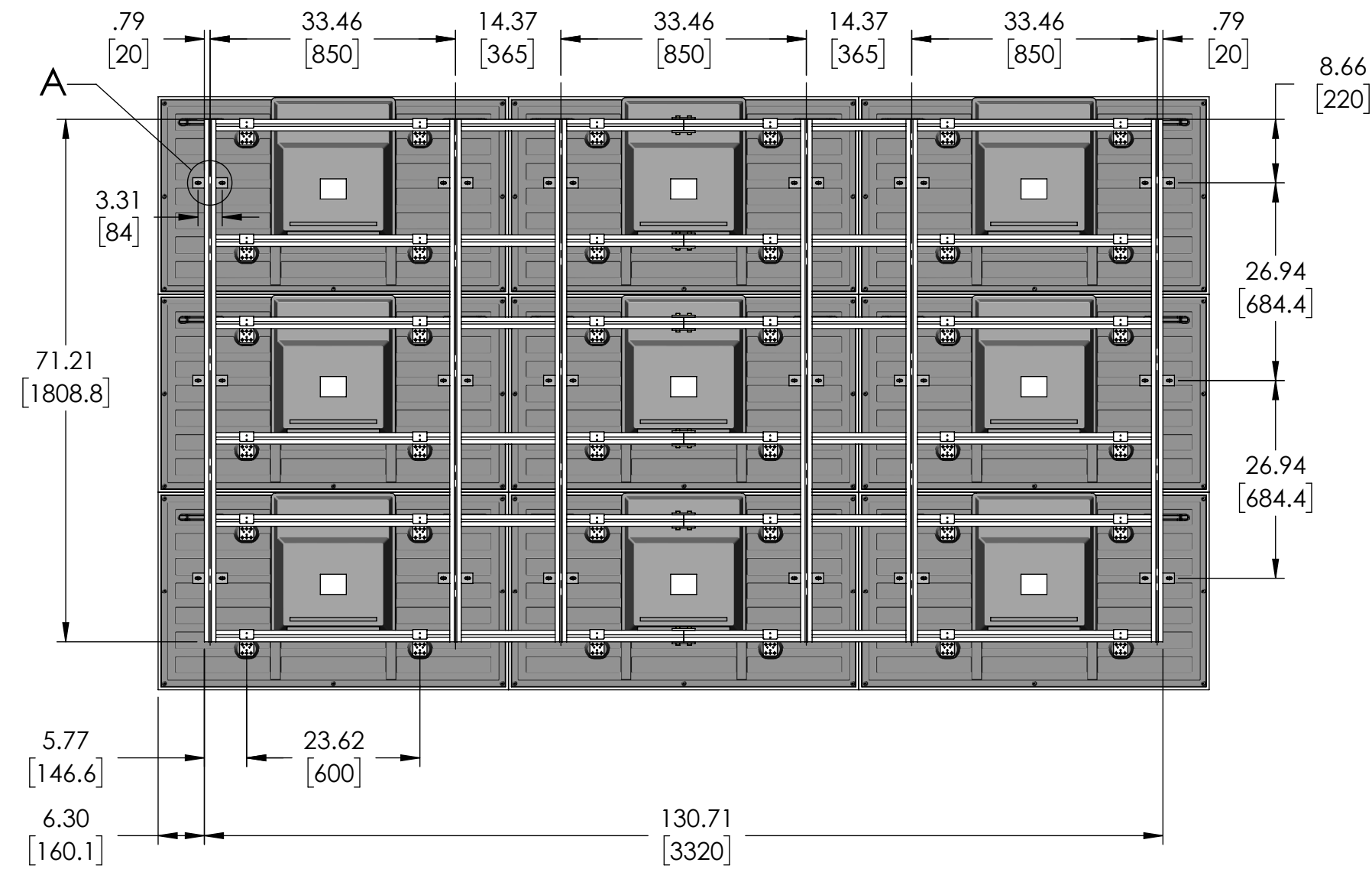
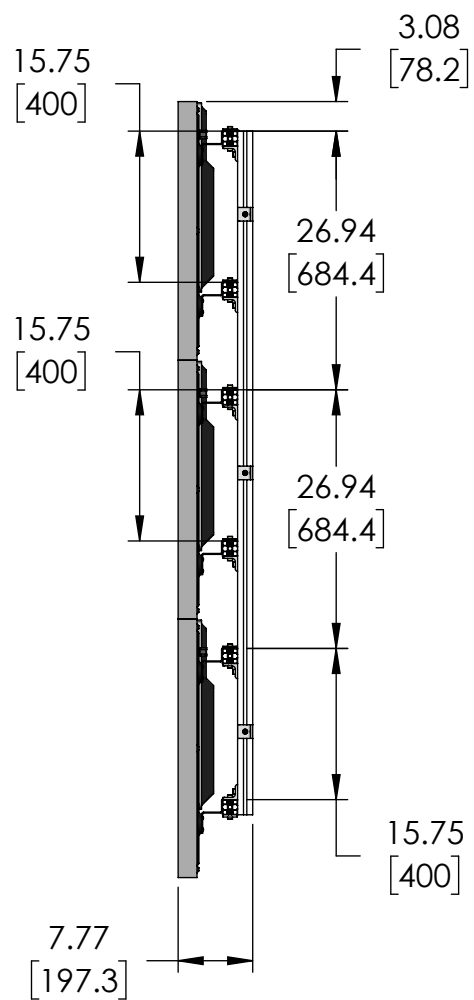
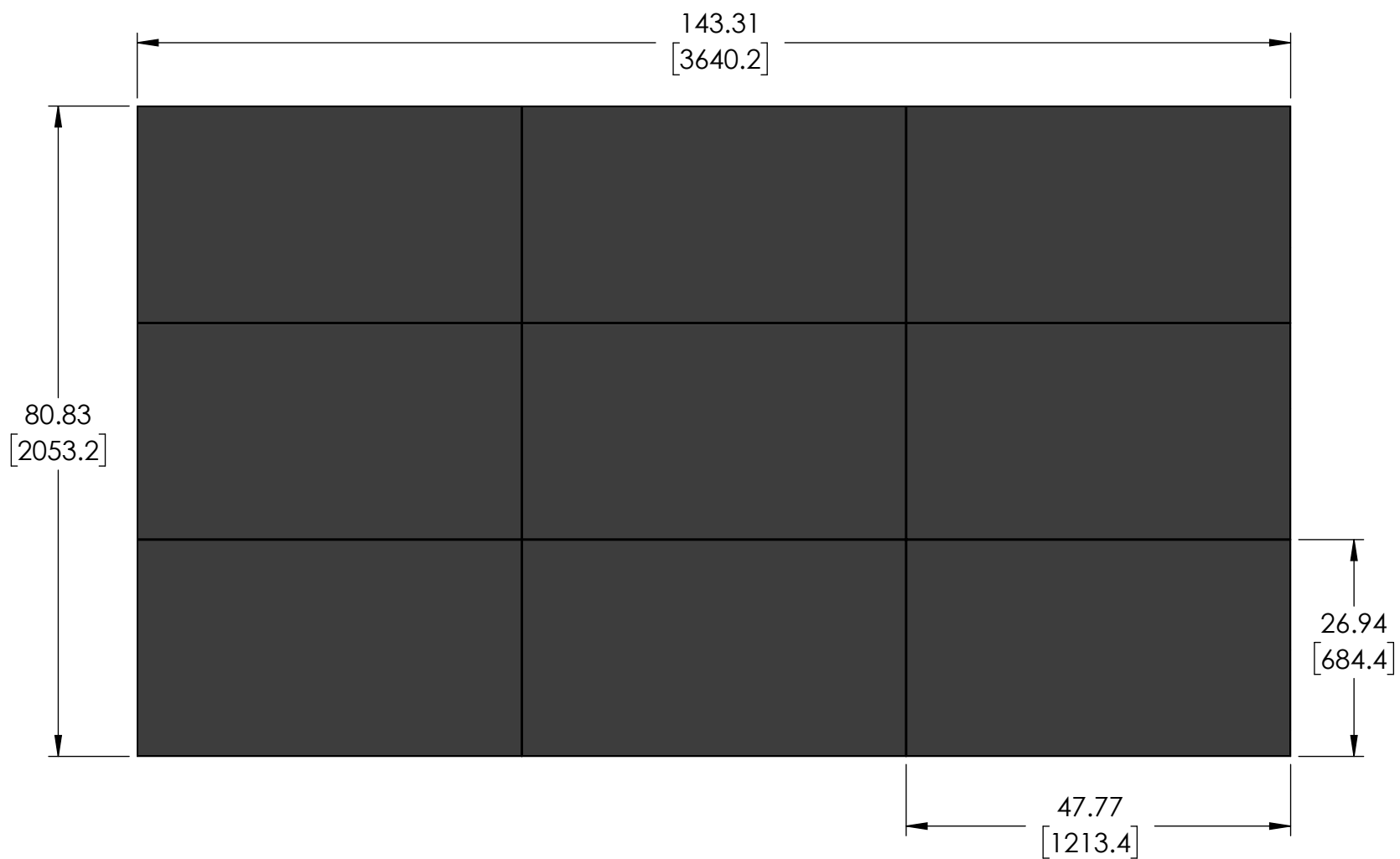
UNLESS OTHERWISE SPECIFIED: DIMENSIONS ARE IN INCHES TOLERANCES: FRACTIONAL: ±1/64 ANGULAR: MACH±.5° ONE PLACE DECIMAL: ±0.1" TWO PLACE DECIMAL: ±0.01" THREE PLACE DECIMAL: ±0.005" MACHINED SURFACE: 125 μin. INTERPRET GEOMETRIC TOLERANCING PER: ASME Y14.5M - 2009.		NAME	DATE	
DRAWN	SL	TITLE: Screen Mounting Frame 55" 3x3		
CHECKED	TE	SIZE DWG. NO. REV C BL-VW33-4K-55-PACKAGE-CG_01		
ENG APPR.		SCALE: 1:12 WEIGHT: 69.57 SHEET 1 OF 1		
MFG APPR.		Q.A.	TE	
MATERIAL		COMMENTS: 1. THIRD ANGLE PROJECTION		
FINISH		ASSEMBLY		
NEXT ASSY	USED ON	APPLICATION		
DO NOT SCALE DRAWING				

4

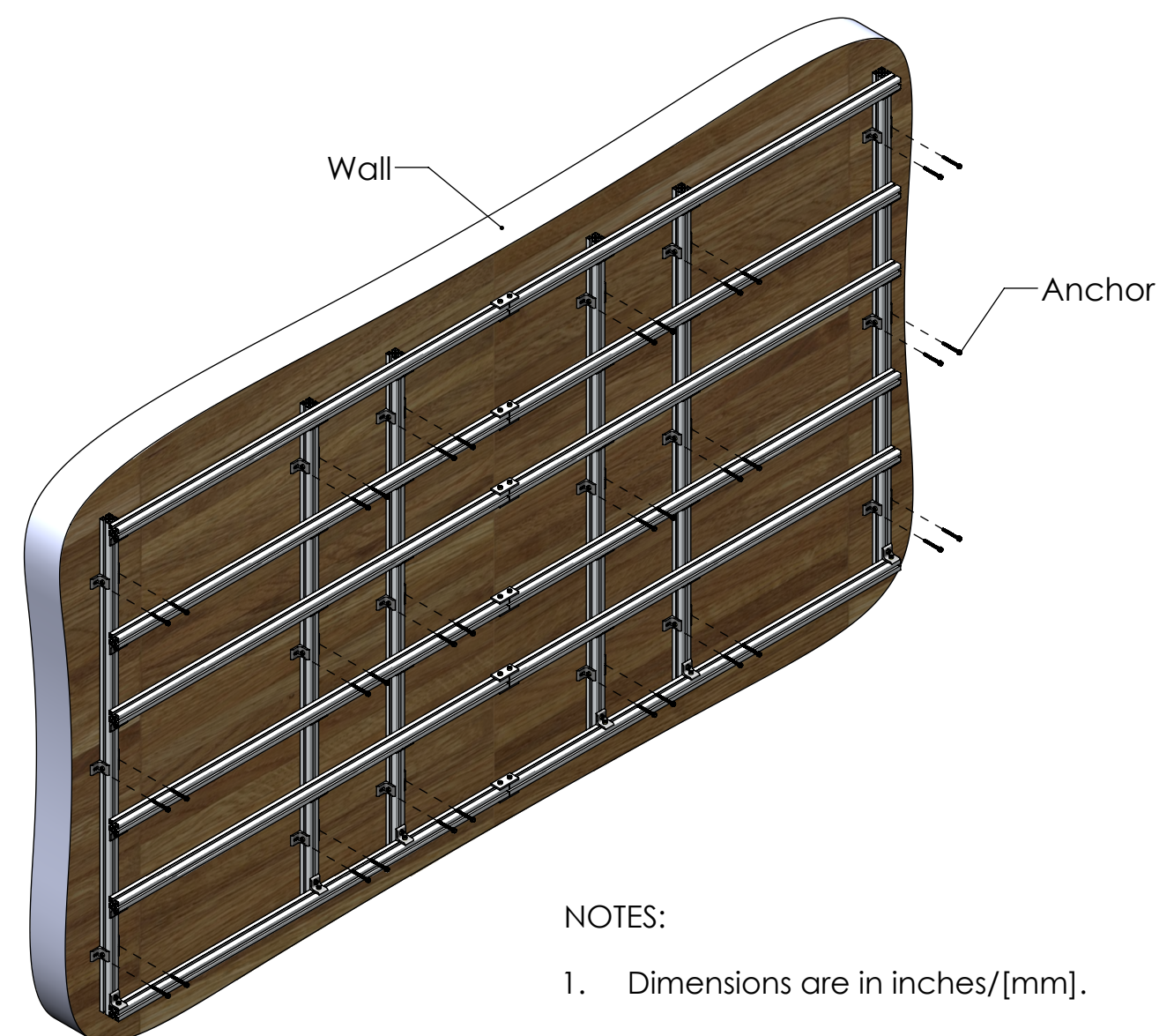
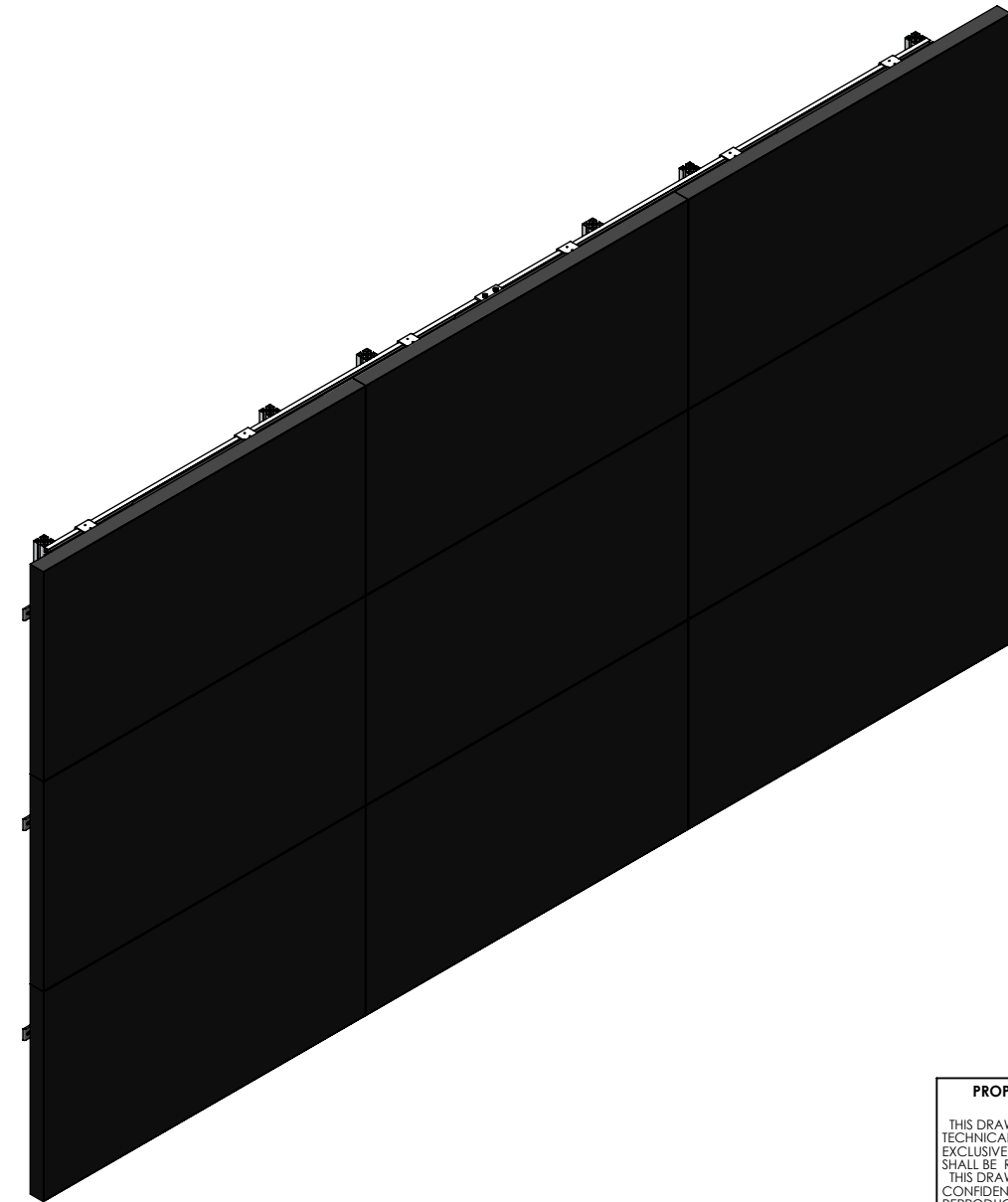
3

2

1



DETAIL A
SCALE 1 : 2



- NOTES:
- Dimensions are in inches/[mm].
 - Screen installation begins from the bottom row.

ITEM NO.	Part NO	Description	Material	Weight	Q-ty
2		55" Impact Display 3.5mm	Assembly	9.3	9
1	BL-VW33-4K-55-PACKAGE-CG_01	Screen Mounting Frame 55" 3x3	ASSEMBLY	69.6	1

UNLESS OTHERWISE SPECIFIED: DIMENSIONS ARE IN INCHES TOLERANCES: FRACTIONAL: ±1/64 ANGULAR: MACH±.5° ONE PLACE DECIMAL: ±0.1" TWO PLACE DECIMAL: ±0.01" THREE PLACE DECIMAL: ±0.005" MACHINED SURFACE: 125 µin. INTERPRET GEOMETRIC TOLERANCING PER ASME Y14.5M - 2009.	NAME	DATE	
DRAWN	SL	TITLE:	
CHECKED	TE	TV Wall System 55" 3x3	
ENG APPR.			
MFG APPR.			
Q.A.	TE		
	COMMENTS: 1. THIRD ANGLE PROJECTION		
NEXT ASSY	USED ON	FINISH	SIZE DWG. NO. REV
APPLICATION	DO NOT SCALE DRAWING		C BL-VW33-4K-55-PACKAGE-CG

PROPRIETARY AND CONFIDENTIAL
THIS DRAWING AND THE INFORMATION AND TECHNICAL DATA CONTAINED HEREIN ARE THE EXCLUSIVE PROPERTY OF Brightlink AV LTD. AND SHALL BE RETURNED TO THEM UPON REQUEST. THIS DRAWING CONTAINS PROPRIETARY AND CONFIDENTIAL INFORMATION AND IS NOT TO BE REPRODUCED IN WHOLE OR IN PART OR DISCLOSED TO ANYONE ELSE WITHOUT THE EXPRESS WRITTEN CONSENT OF Brightlink AV LTD.

4

3

2

1