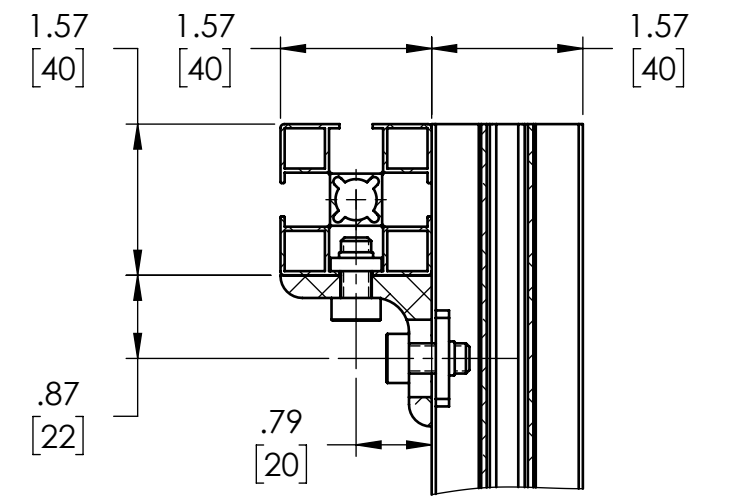
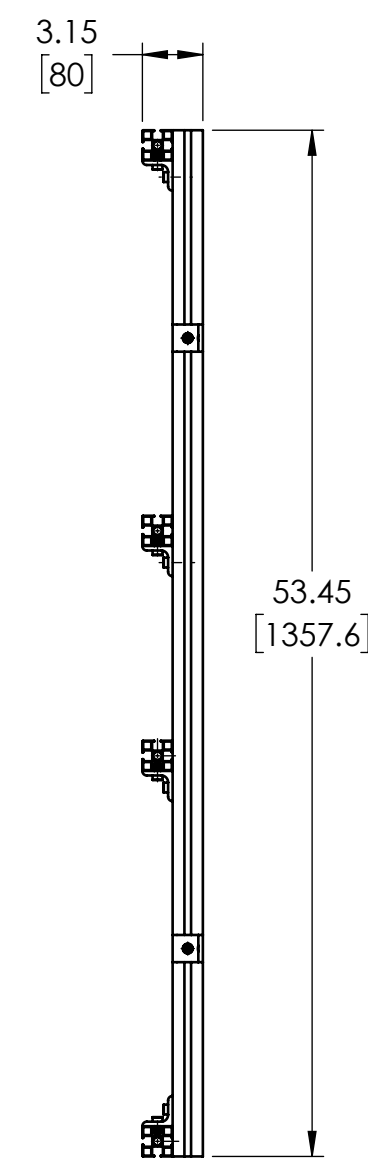
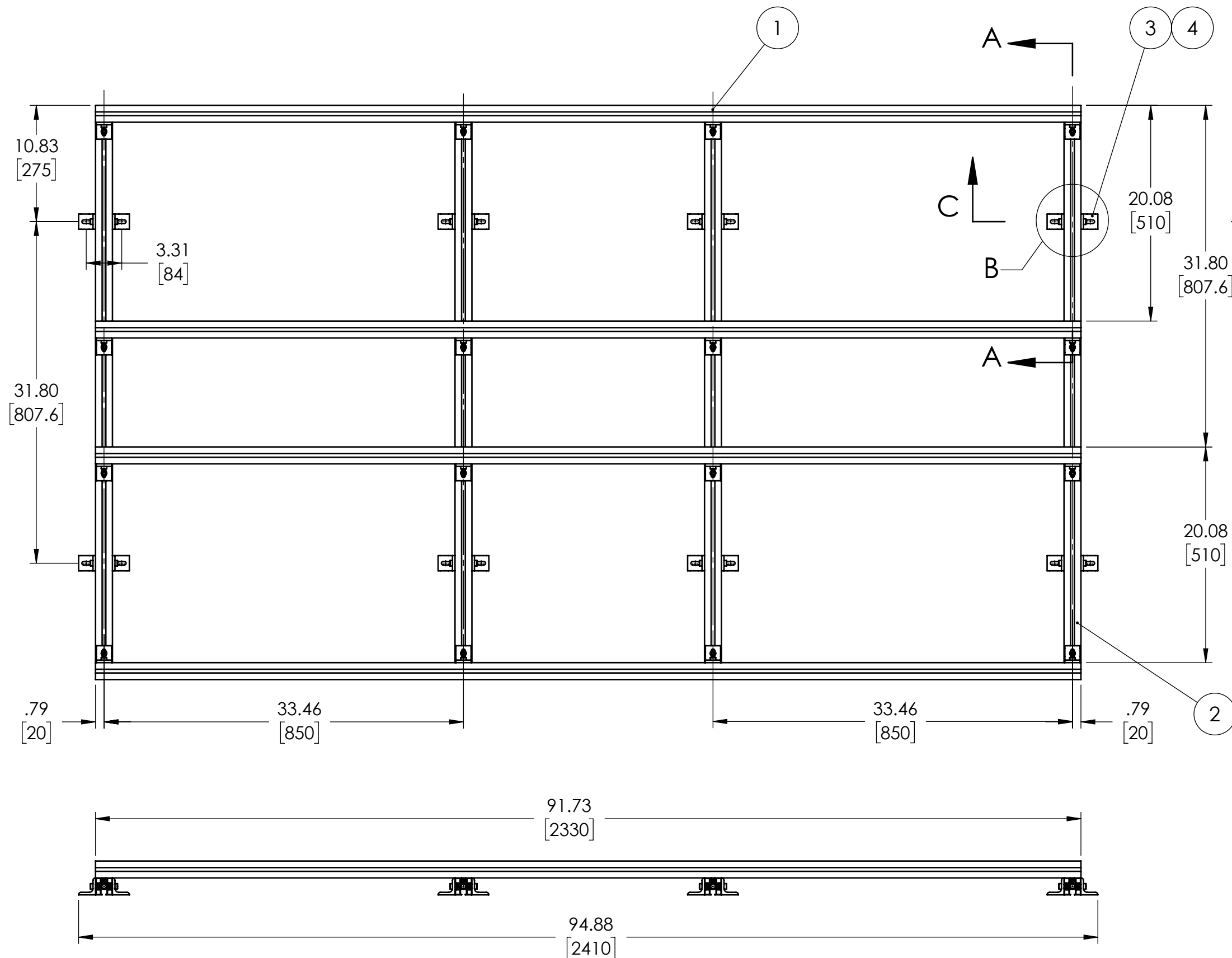


4

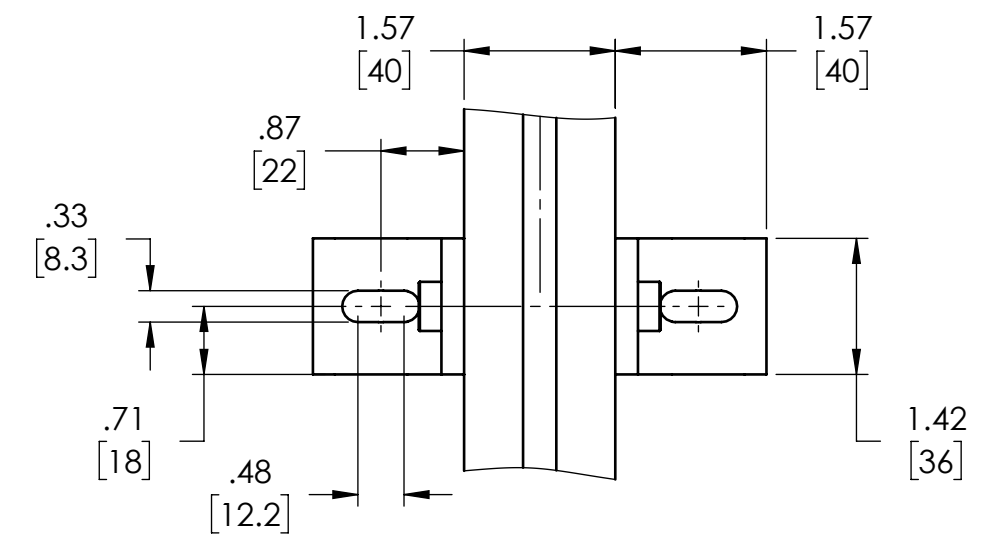
3

2

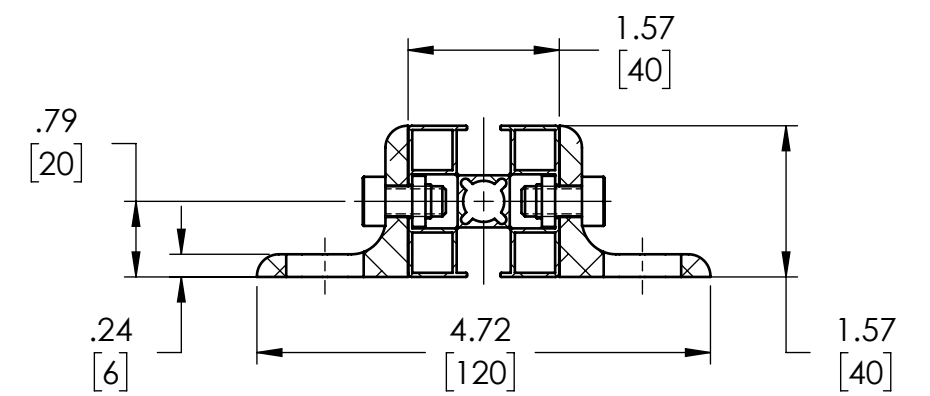
1



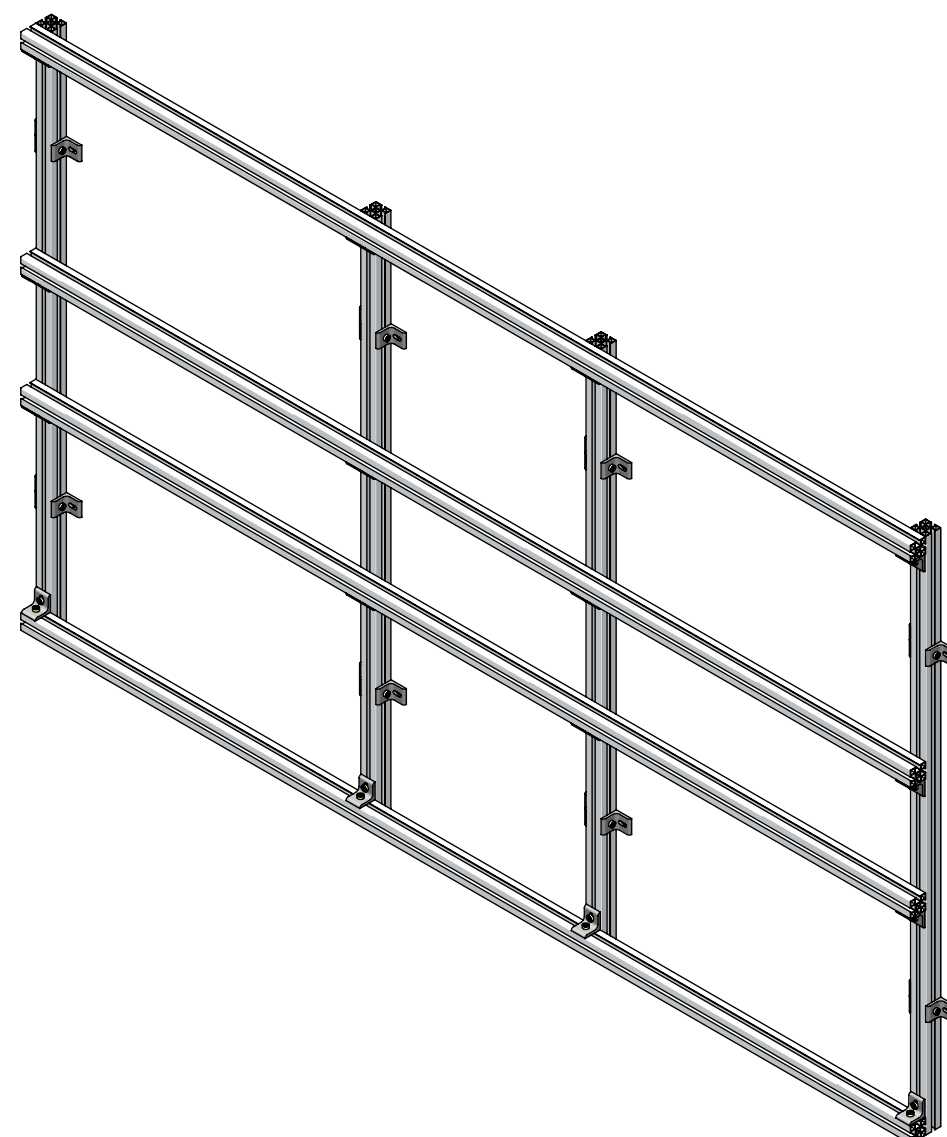
SECTION A-A
SCALE 1 : 2



DETAIL B
SCALE 1 : 2



SECTION C-C
SCALE 1 : 2



NOTES:
1. Dimensions are in inches/[mm].

PROPRIETARY AND CONFIDENTIAL
THIS DRAWING AND THE INFORMATION AND TECHNICAL DATA CONTAINED HEREIN ARE THE EXCLUSIVE PROPERTY OF Brightlink AV LTD. AND SHALL BE RETURNED TO THEM UPON REQUEST. THIS DRAWING CONTAINS PROPRIETARY AND CONFIDENTIAL INFORMATION AND IS NOT TO BE REPRODUCED IN WHOLE OR IN PART OR DISCLOSED TO ANYONE ELSE WITHOUT THE EXPRESS WRITTEN CONSENT OF Brightlink AV LTD.

ITEM NO.	Part NO	Description	Material	Weight	Q-ty
4	-/5136	Screw/Nut	Fastening Kit M8x16 For T-Slotted Framing	0.04	48
3		Bracket	Bracket For T-Slotted Framing	0.09	32
2	L=53.45"/1357.60mm	Profile	T-Slotted Profile GB4040C	2.47	4
1	L=91.73"/2330mm	Profile	T-Slotted Profile GB4040C	4.24	4

UNLESS OTHERWISE SPECIFIED:		NAME	DATE
DIMENSIONS ARE IN INCHES		DRAWN	SL
TOLERANCES:		CHECKED	TE
FRACTIONAL: ±1/64		ENG APPR.	
ANGULAR: MACH±.5°		MFG APPR.	
ONE PLACE DECIMAL ±0.1"		Q.A.	TE
TWO PLACE DECIMAL ±0.01"		COMMENTS:	
THREE PLACE DECIMAL ±0.005"		1. THIRD ANGLE PROJECTION	
MACHINED SURFACE 125 μin.		MATERIAL	
INTERPRET GEOMETRIC TOLERANCING PER ASME Y14.5M - 2009.		FINISH	
MATERIAL		APPLICATION	
Assembly		DO NOT SCALE DRAWING	

Brightlink

TITLE:
65" Display Mounting Frame 2x2

SIZE DWG. NO. REV
C BL-VW22-4K-65-2x2_01

SCALE: 1:10 WEIGHT: 31.84 SHEET 1 OF 1