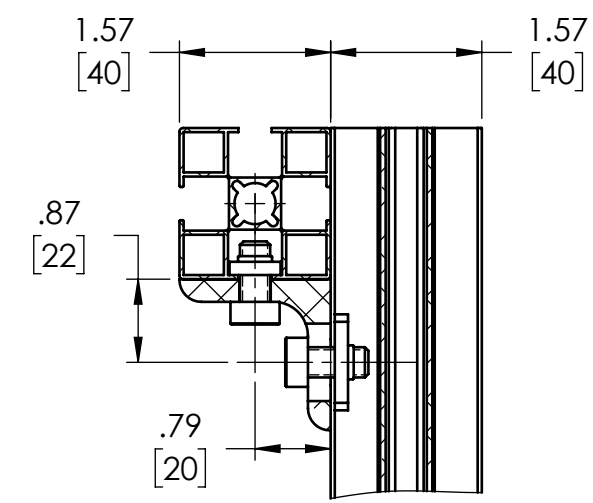
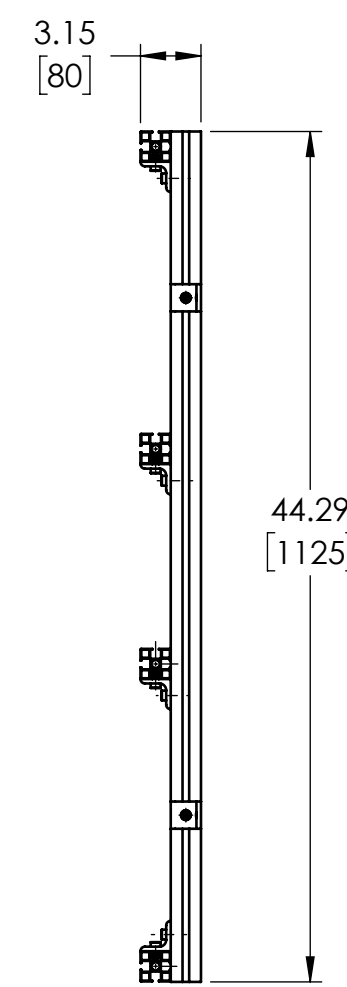
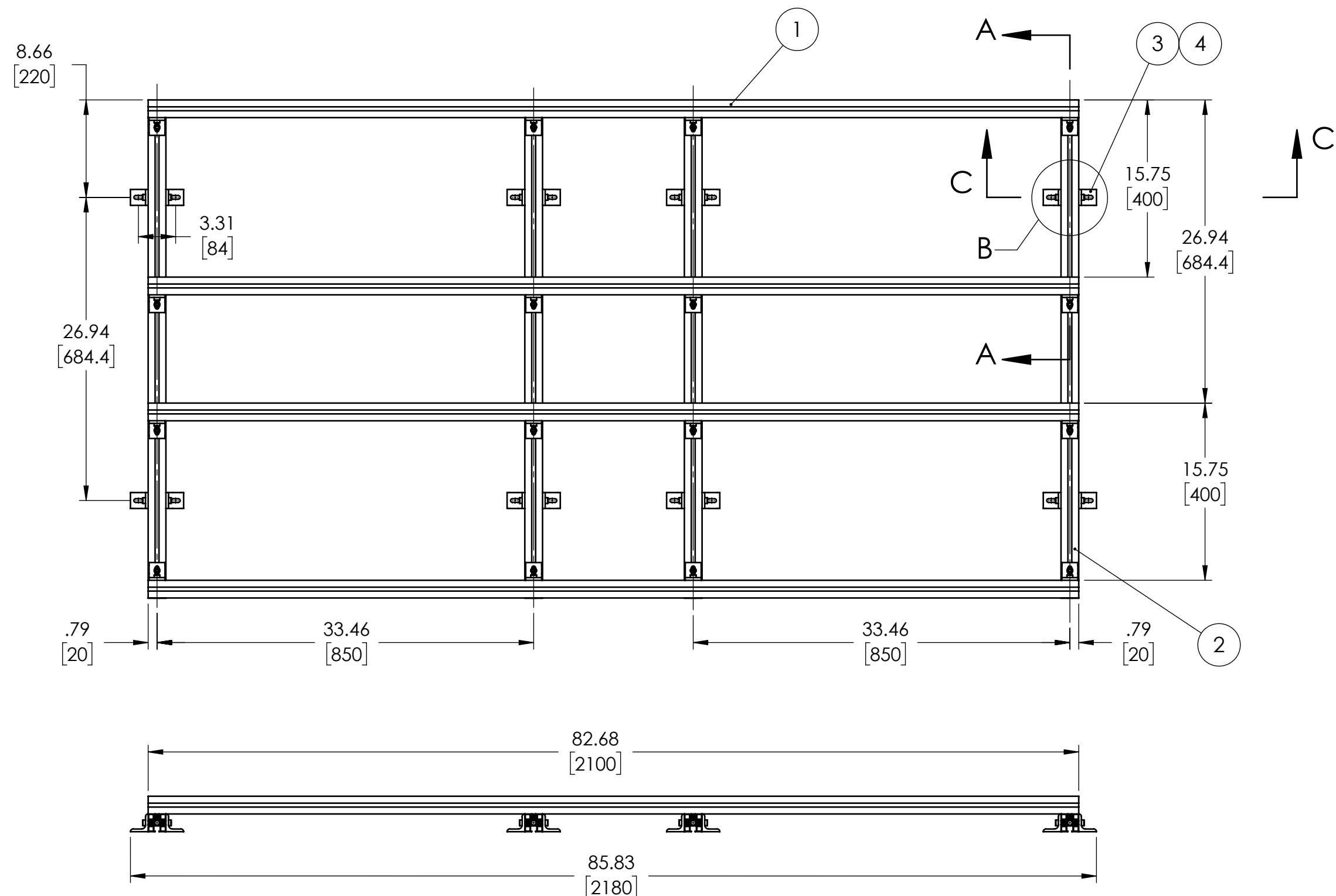


4

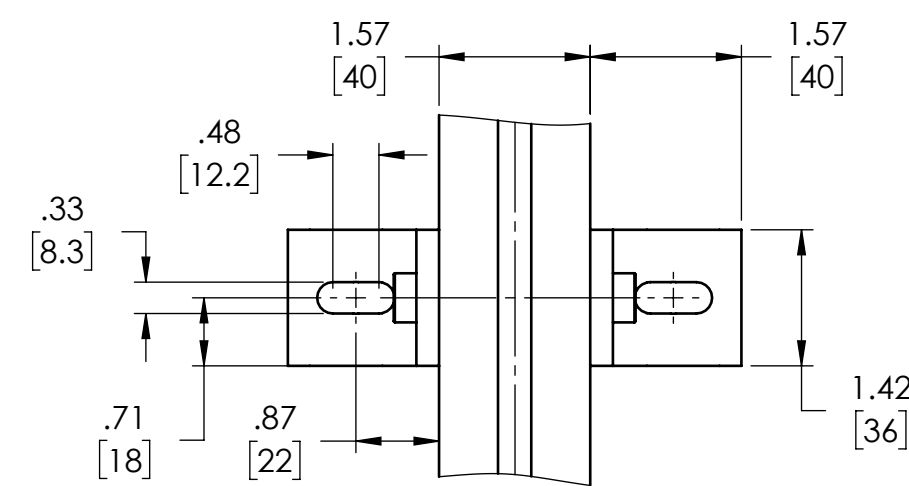
3

2

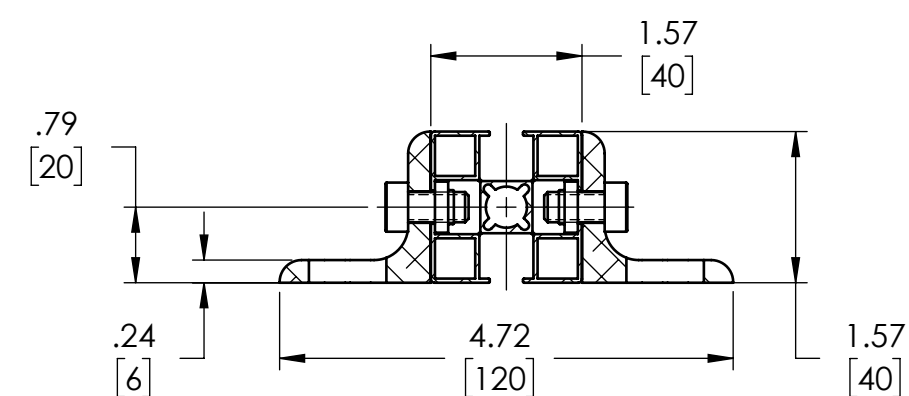
1



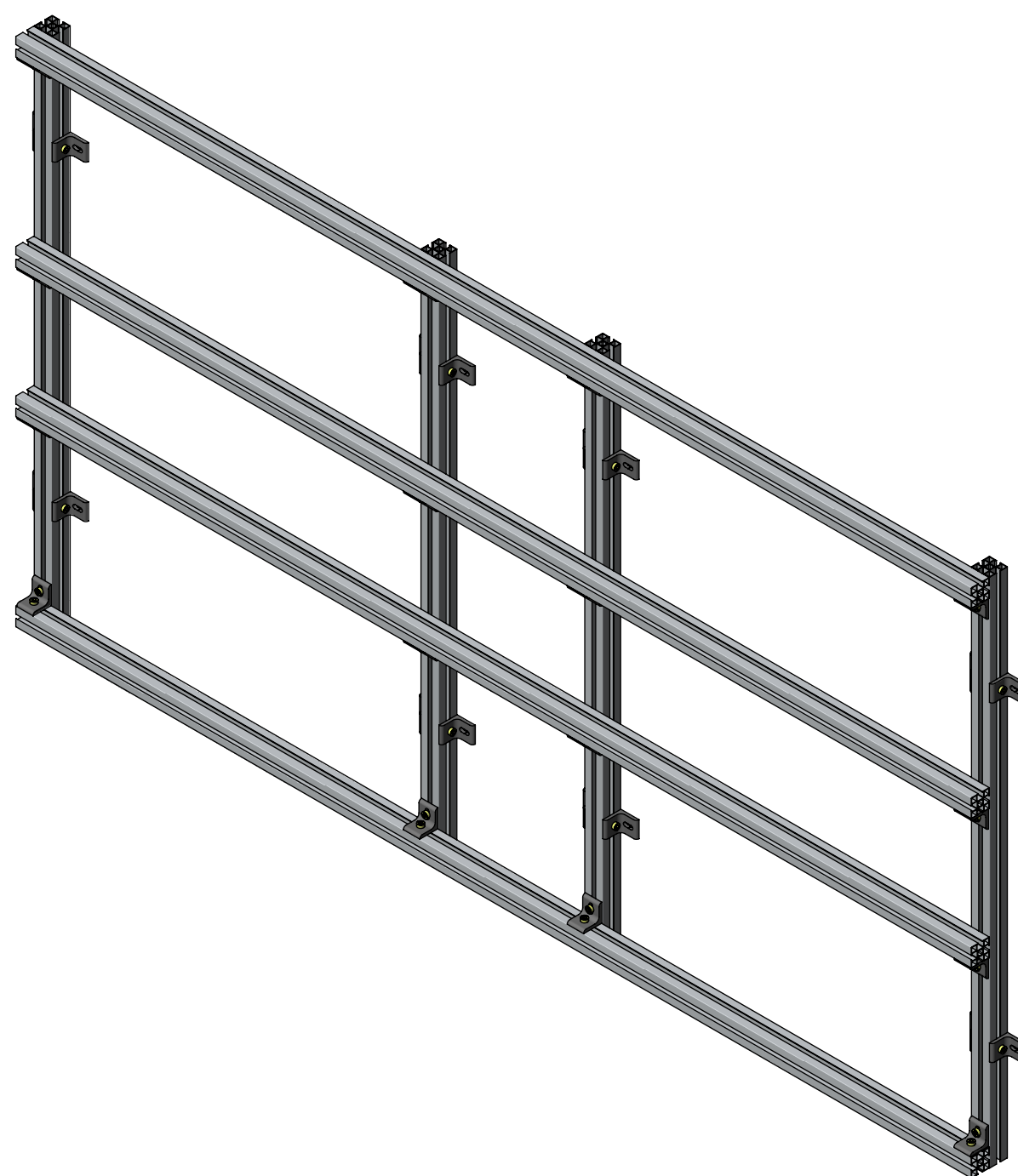
SECTION A-A
SCALE 1 : 2



DETAIL B
SCALE 1 : 2



SECTION C-C
SCALE 1 : 2



NOTES:
1. Dimensions are in inches/[mm].

PROPRIETARY AND CONFIDENTIAL
THIS DRAWING AND THE INFORMATION AND TECHNICAL DATA CONTAINED HEREIN ARE THE EXCLUSIVE PROPERTY OF Brightlink AV LTD. AND SHALL BE RETURNED TO THEM UPON REQUEST. THIS DRAWING CONTAINS PROPRIETARY AND CONFIDENTIAL INFORMATION AND IS NOT TO BE REPRODUCED IN WHOLE OR IN PART OR DISCLOSED TO ANYONE ELSE WITHOUT THE EXPRESS WRITTEN CONSENT OF Brightlink AV LTD.

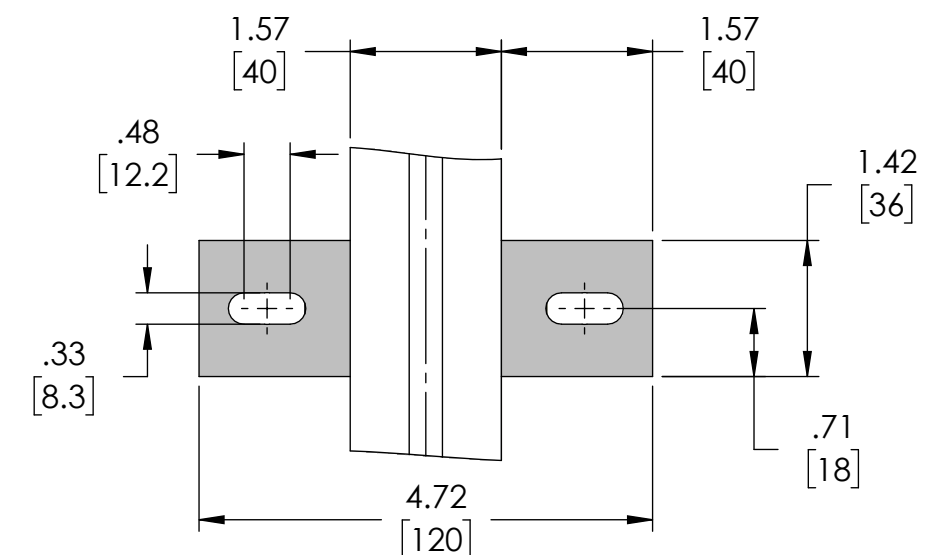
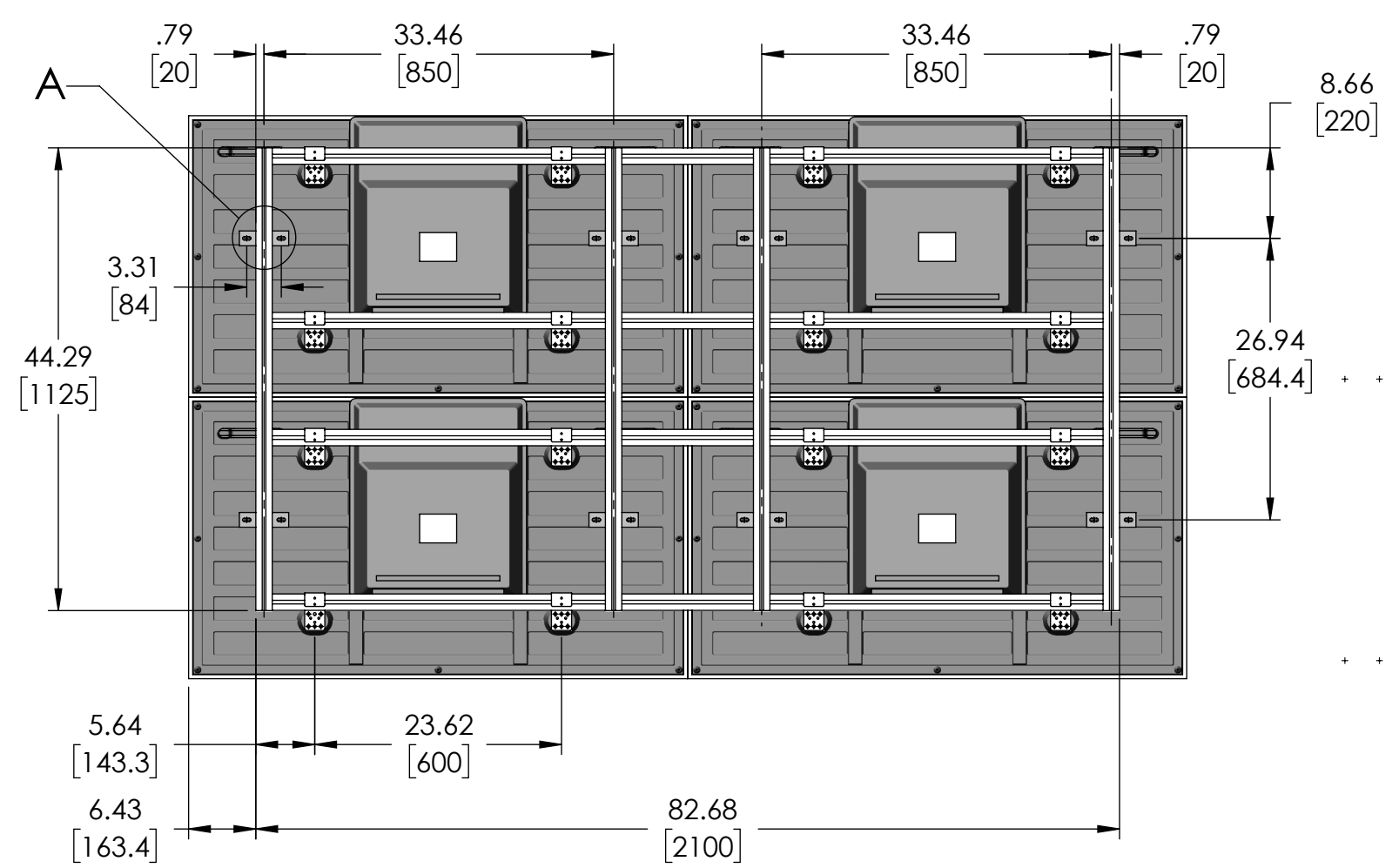
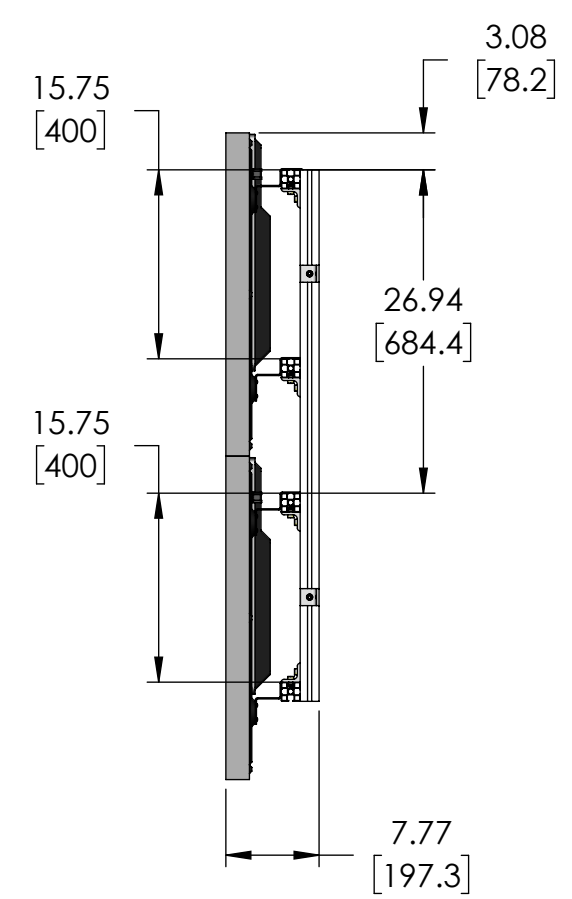
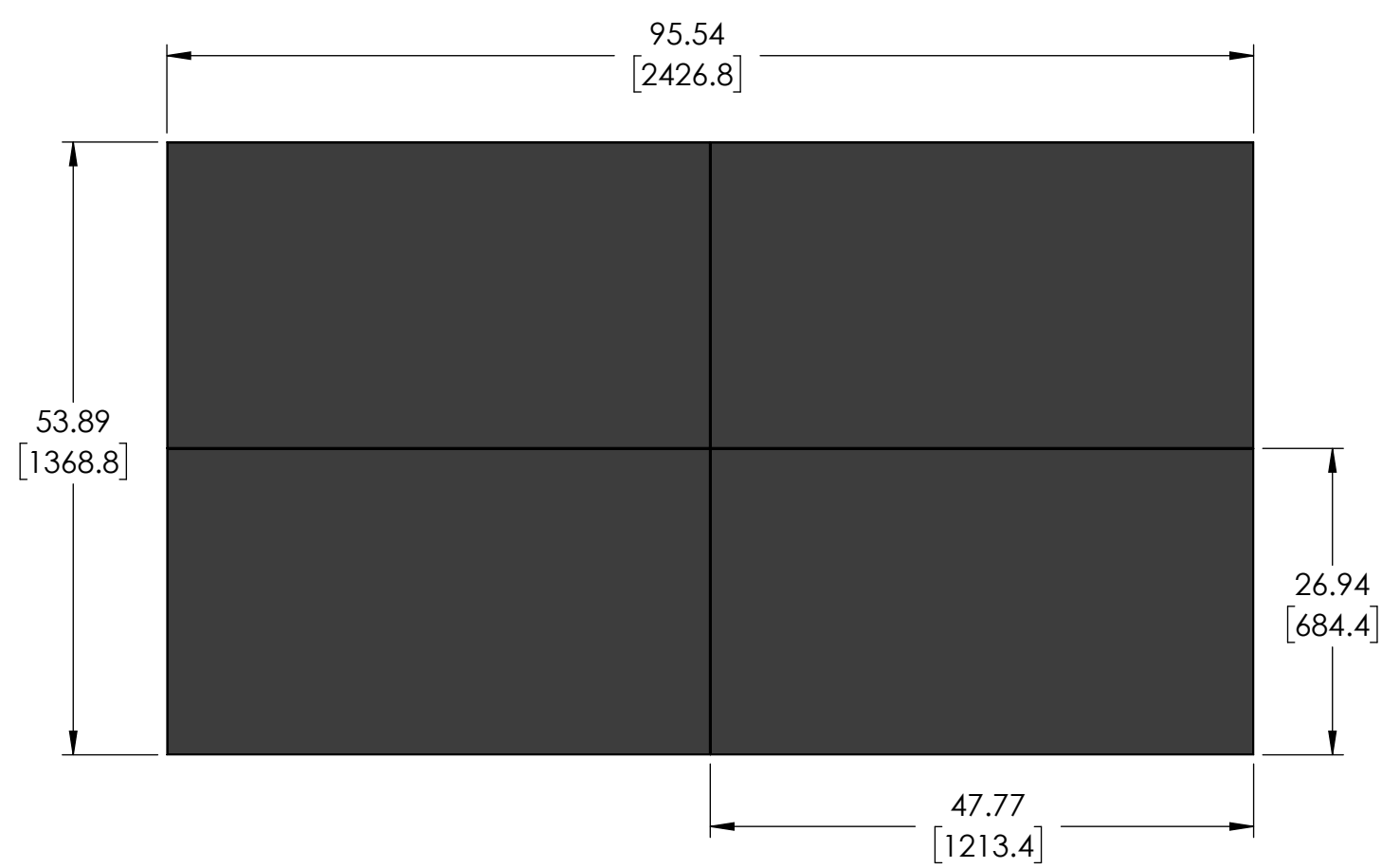
4	-/5136	Screw/Nut	Fastening Kit M8x16 For T-Slotted Framing	0.04	48	
3		Bracket	Bracket For T-Slotted Framing	0.09	32	
2	L=44.29"/1125mm	Profile	T-Slotted Profile GB4040C	2.05	4	
1	L=82.68"/2100mm	Profile	T-Slotted Profile GB4040C	3.83	4	
ITEM NO.	Part NO	Description	Material	Weight	Q-ty	
		UNLESS OTHERWISE SPECIFIED: DIMENSIONS ARE IN INCHES TOLERANCES: FRACTIONAL: ±1/64 ANGULAR: MACH±.5° ONE PLACE DECIMAL ±0.1" TWO PLACE DECIMAL ±0.01" THREE PLACE DECIMAL ±0.005" MACHINED SURFACE 125 μin. INTERPRET GEOMETRIC TOLERANCING PER ASME Y14.5M - 2009.		NAME	DATE	
		DRAWN		SL	Screen Mounting Frame 55" 2x2	
		CHECKED		TE.		
		ENG APPR.				
		MFG APPR.				
		FINISH		Q.A.	TE.	SIZE DWG. NO. REV C BL-VW22-4K-55-PACKAGE-CG_01
NEXT ASSY		USED ON		COMMENTS: 1. THIRD ANGLE PROJECTION		
APPLICATION		DO NOT SCALE DRAWING		SCALE: 1:10 WEIGHT: 28.47 SHEET 1 OF 1		

4

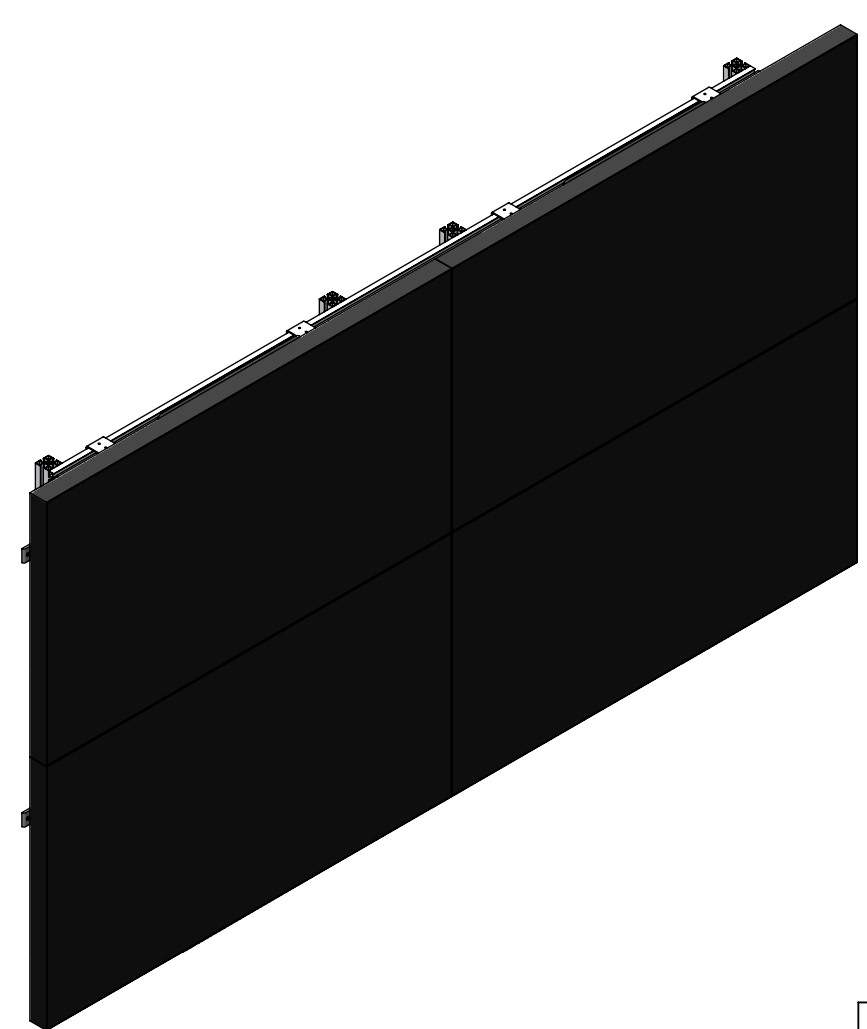
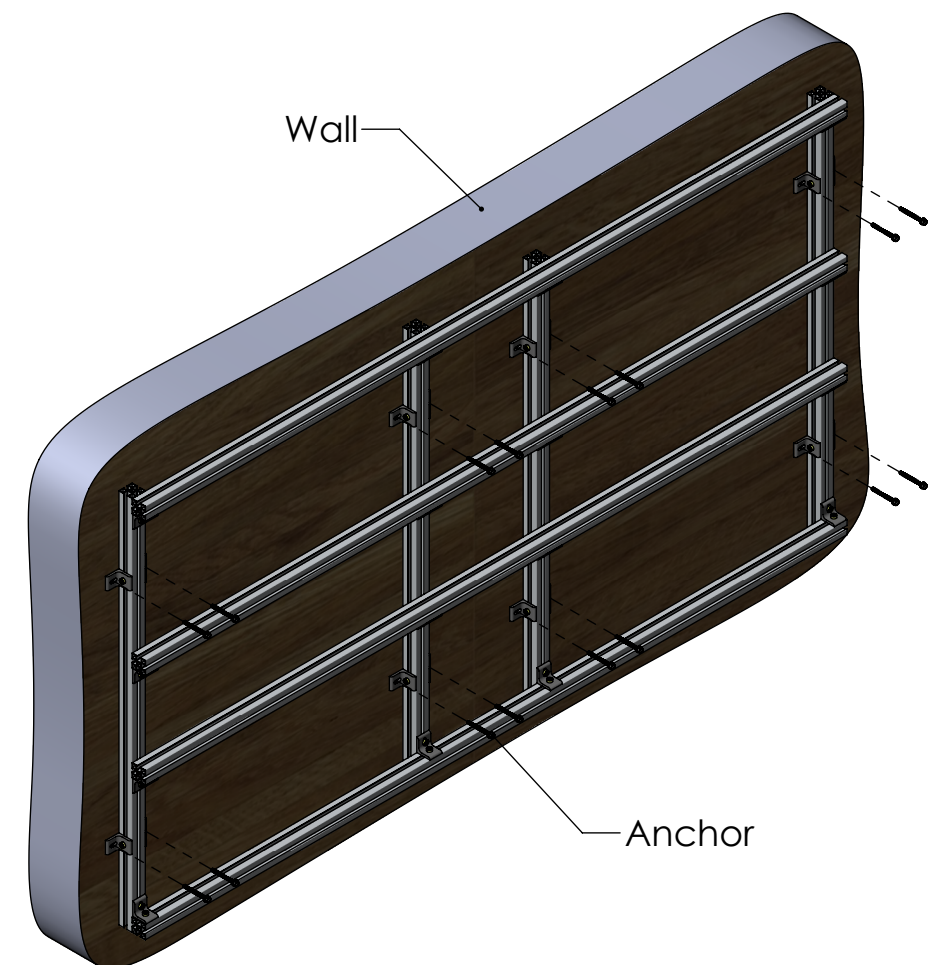
3

2

1



DETAIL A
SCALE 1 : 2



NOTES:

- Dimensions are in inches/[mm].
- Screen installation begins from the bottom row.

ITEM NO.	Part NO	Description	Material	Weight	Q-ty
2		55" Impact Display 3.5mm	Assembly	9.3	4
1	BL-VW22-4K-55-PACKAGE-CG_01	Screen Mounting Frame 55" 2x2	ASSEMBLY	28.5	1

UNLESS OTHERWISE SPECIFIED: DIMENSIONS ARE IN INCHES TOLERANCES: FRACTIONAL: ±1/64 ANGULAR: MACH±.5° ONE PLACE DECIMAL ±0.1" TWO PLACE DECIMAL ±0.01" THREE PLACE DECIMAL ±0.005" MACHINED SURFACE 125 μin. INTERPRET GEOMETRIC TOLERANCING PER ASME Y14.5M - 2009.	DRAWN SL	NAME DATE	
MATERIAL ASSEMBLY	CHECKED TE	Q.A. TE	
FINISH	ENG APPR.	COMMENTS: 1. THIRD ANGLE PROJECTION	
APPLICATION DO NOT SCALE DRAWING	MFG APPR.	TITLE: TV Wall System 55" 2x2	
SIZE DWG. NO. REV C BL-VW22-4K-55-PACKAGE-CG			SCALE: 1:16 WEIGHT: 65.7 SHEET 1 OF 1

PROPRIETARY AND CONFIDENTIAL
THIS DRAWING AND THE INFORMATION AND TECHNICAL DATA CONTAINED HEREIN ARE THE EXCLUSIVE PROPERTY OF Brightlink AV LTD AND SHALL BE RETURNED TO THEM UPON REQUEST. THIS DRAWING CONTAINS PROPRIETARY AND CONFIDENTIAL INFORMATION AND IS NOT TO BE REPRODUCED IN WHOLE OR IN PART OR DISCLOSED TO ANYONE ELSE WITHOUT THE EXPRESS WRITTEN CONSENT OF Brightlink AV LTD.