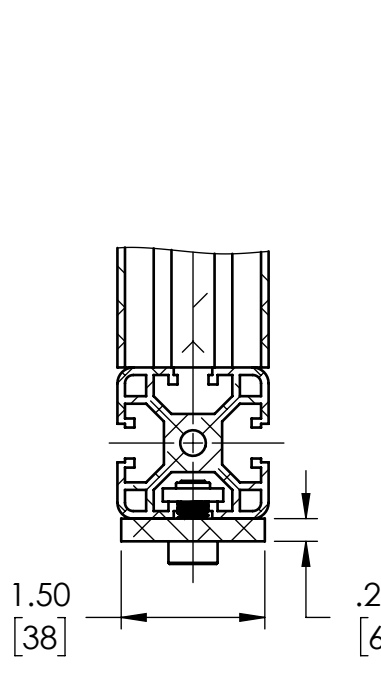
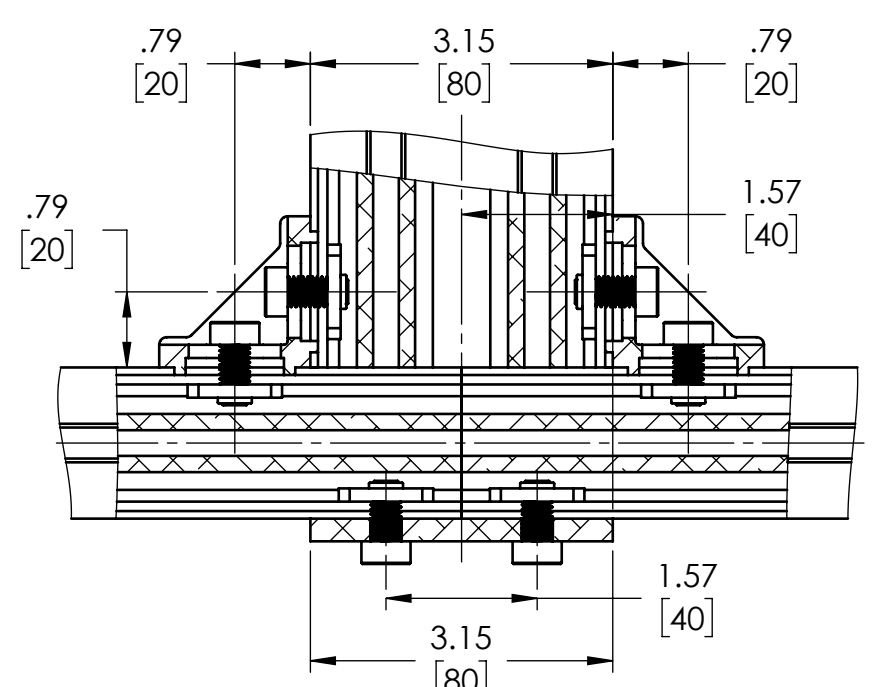
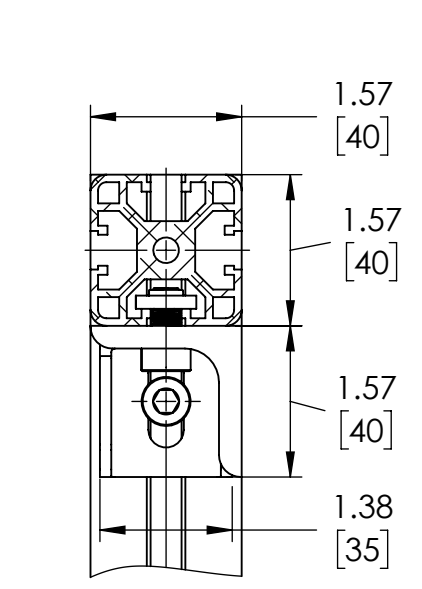
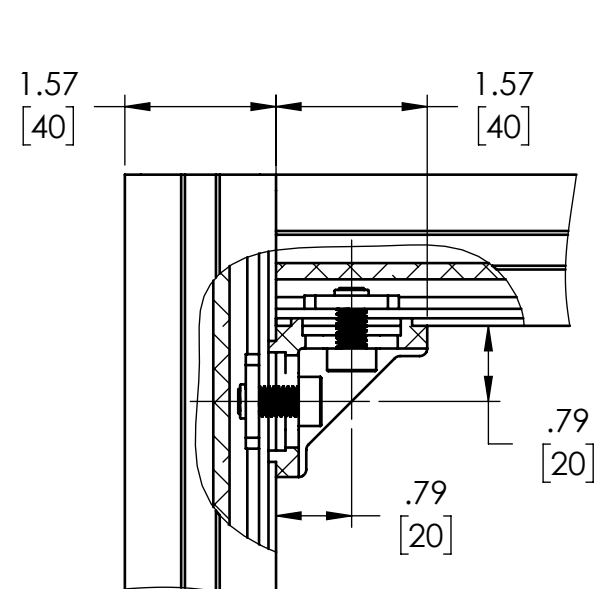
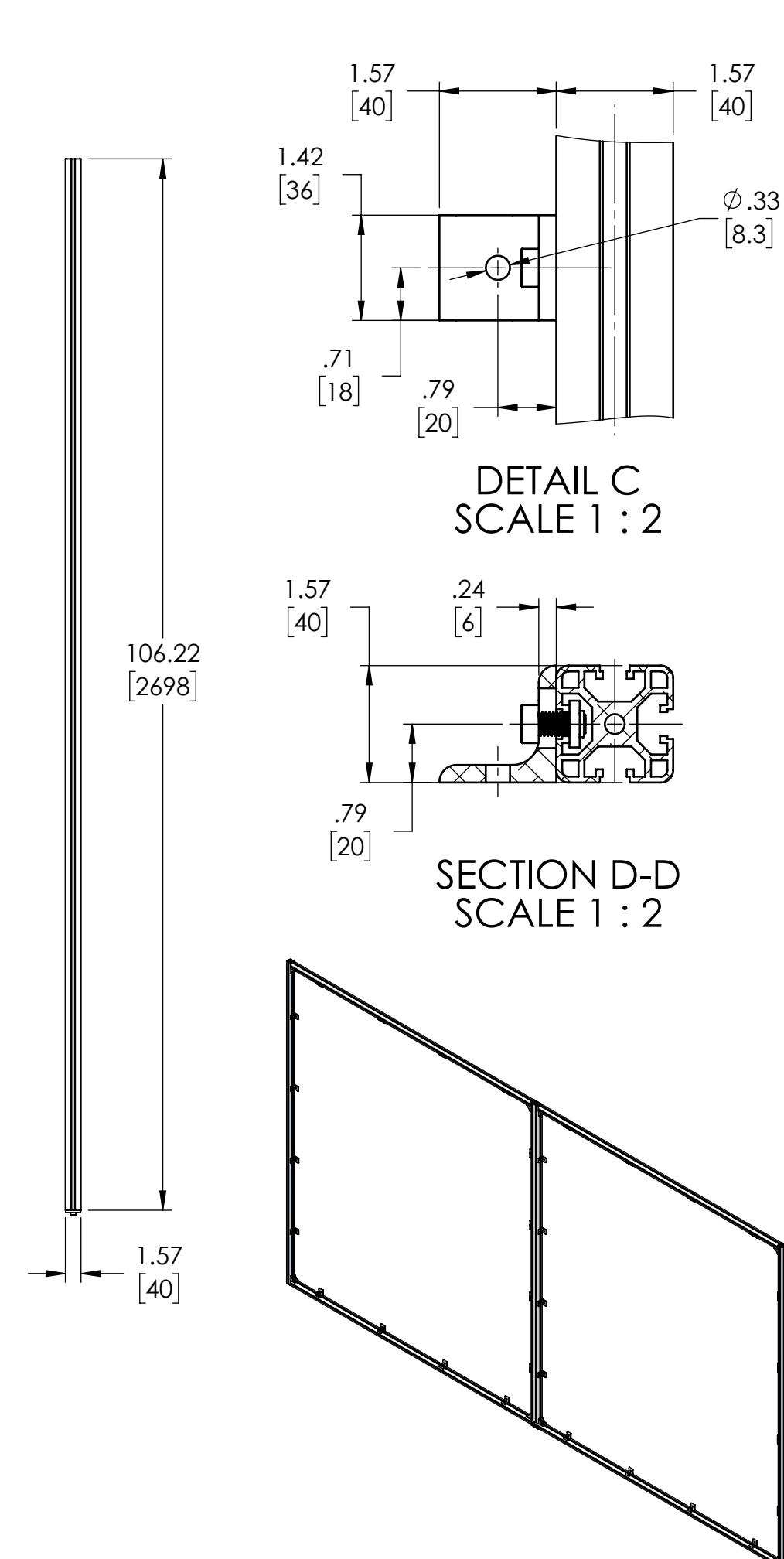
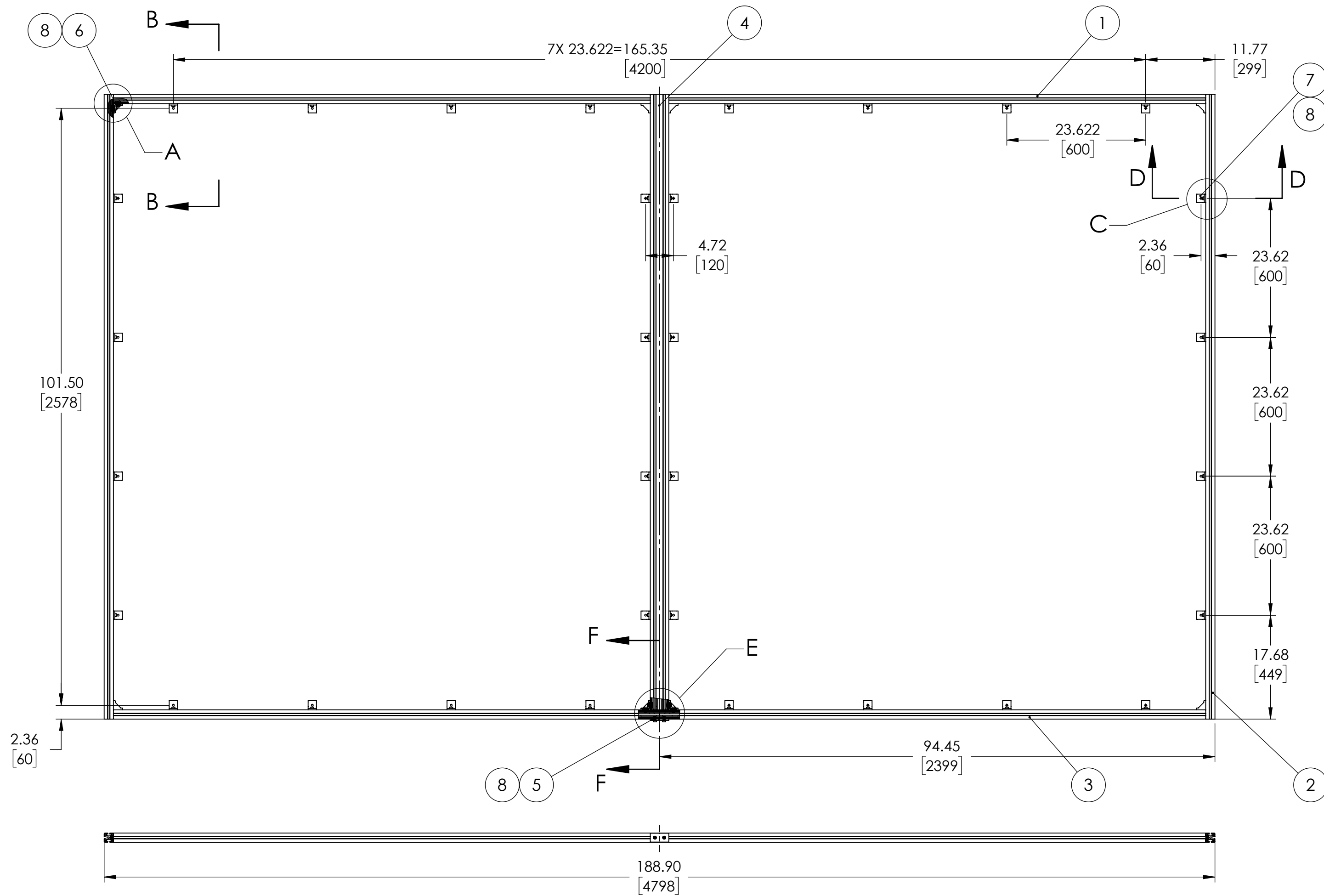


4

3

2

1



ITEM NO.	Part NO	Description	Material	Weight	Q-ty
8		Screw/Nut	Fastening Kit M8 For T-Slotted Framing	0.04	50
7		Bracket	Bracket For T-Slotted Framing	0.09	32
6	4040I-8	Bracket	Corner Bracket For T-Slotted Framing	0.08	8
5	6041	Plate	Joint Plate For T-Slotted Framing	0.10	1
4	L=104.65"/2658mm	Profile	T-Slotted Profile OB4080A	17.23	1
3	L=92.87"/2359mm	Profile	T-Slotted Profile OB4040B	8.78	2
2	L=106.22"/2698mm	Profile	T-Slotted Profile OB4040B	10.04	2
1	L=91.3"/2319mm	Profile	T-Slotted Profile OB4040B	8.63	2

DETAIL A SCALE 1 : 2

SECTION B-B SCALE 1 : 2

DETAIL E SCALE 1 : 2

SECTION F-F SCALE 1 : 2

DETAIL C SCALE 1 : 2

SECTION D-D SCALE 1 : 2

NOTES:  
 1. Dimensions are in inches/[mm].

**PROPRIETARY AND CONFIDENTIAL**  
 THIS DRAWING AND THE INFORMATION AND TECHNICAL DATA CONTAINED HEREIN ARE THE EXCLUSIVE PROPERTY OF Brightlink AV LTD AND SHALL BE RETURNED TO THEM UPON REQUEST. THIS DRAWING CONTAINS PROPRIETARY AND CONFIDENTIAL INFORMATION AND IS NOT TO BE REPRODUCED IN WHOLE OR IN PART OR DISCLOSED TO ANYONE ELSE WITHOUT THE EXPRESS WRITTEN CONSENT OF Brightlink AV LTD.

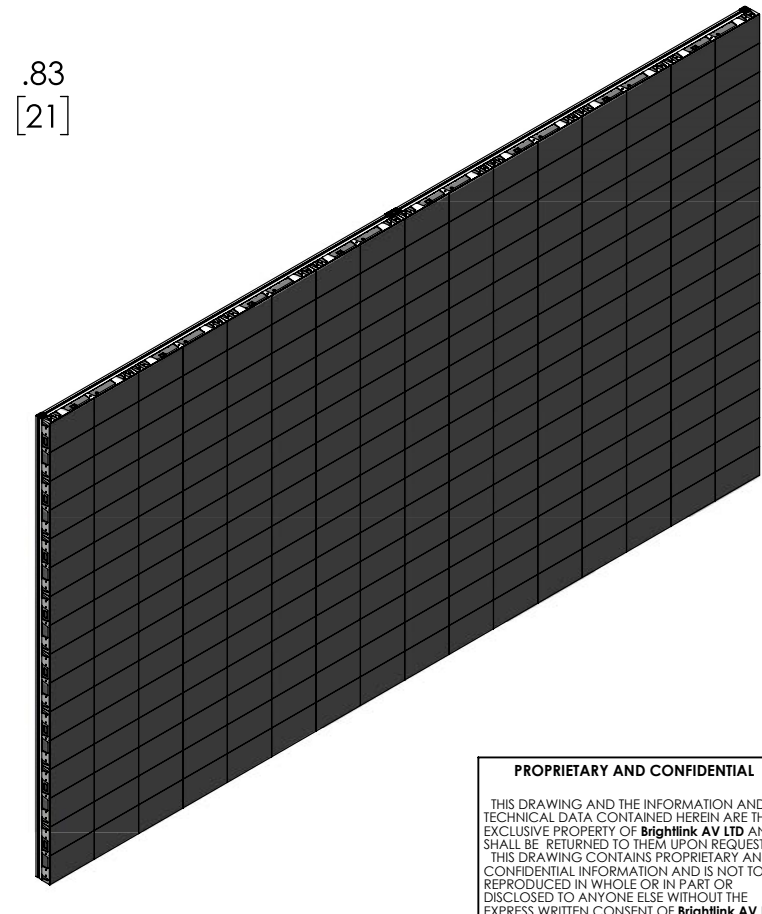
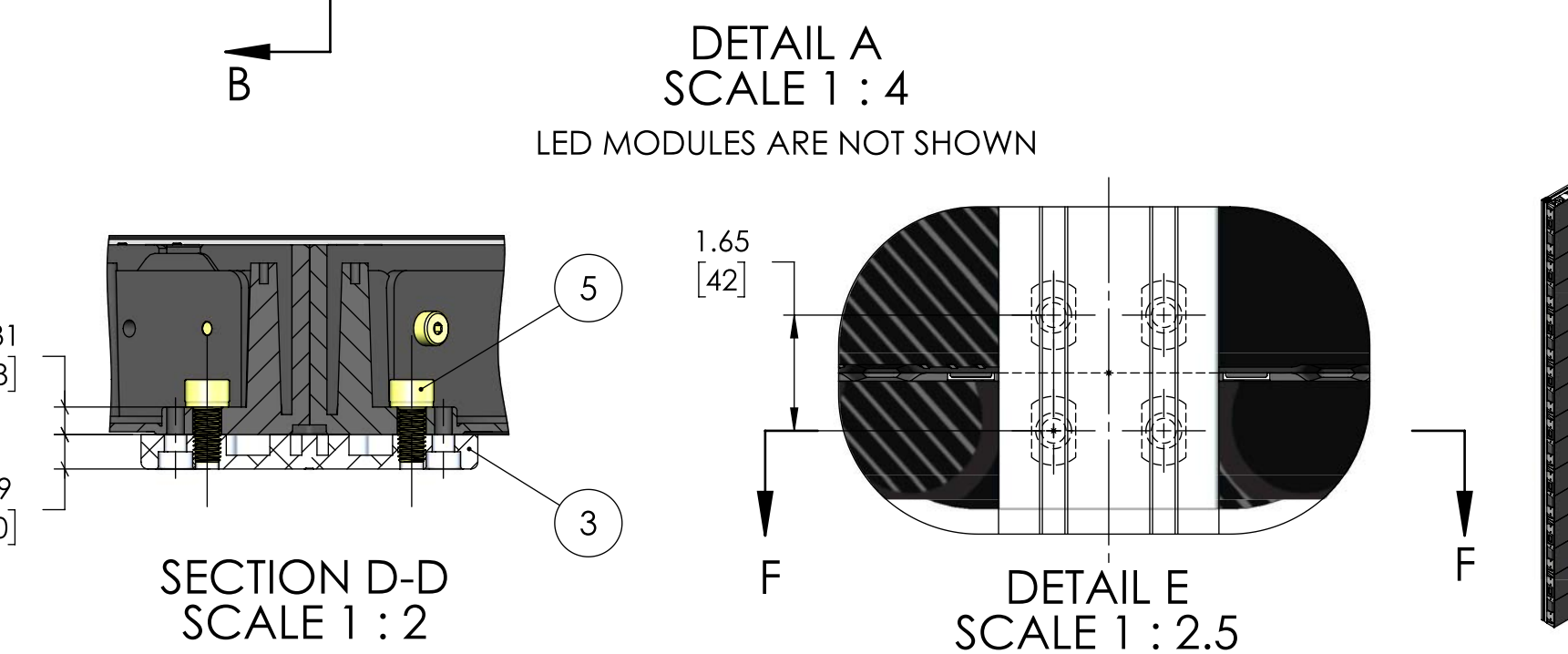
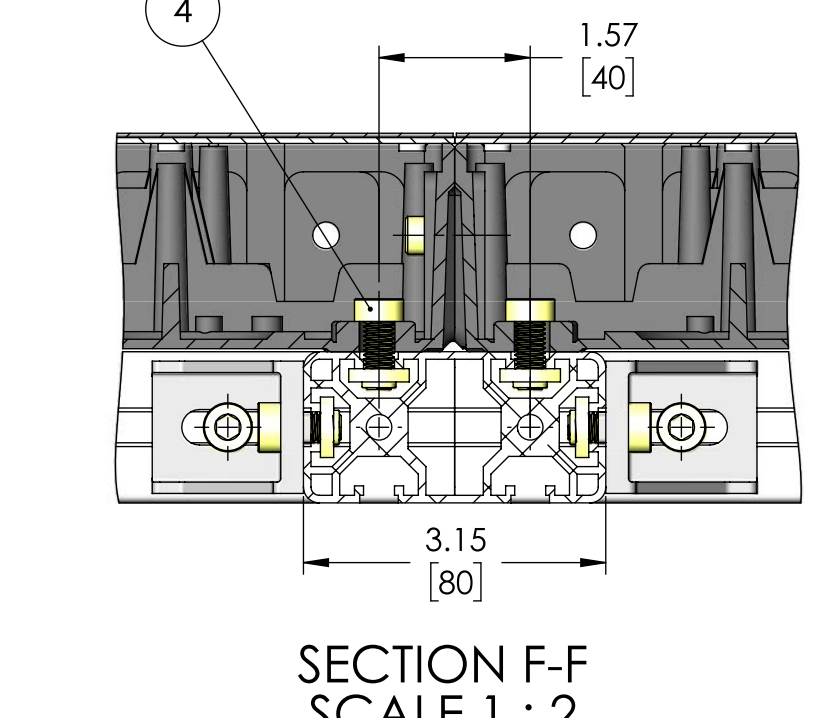
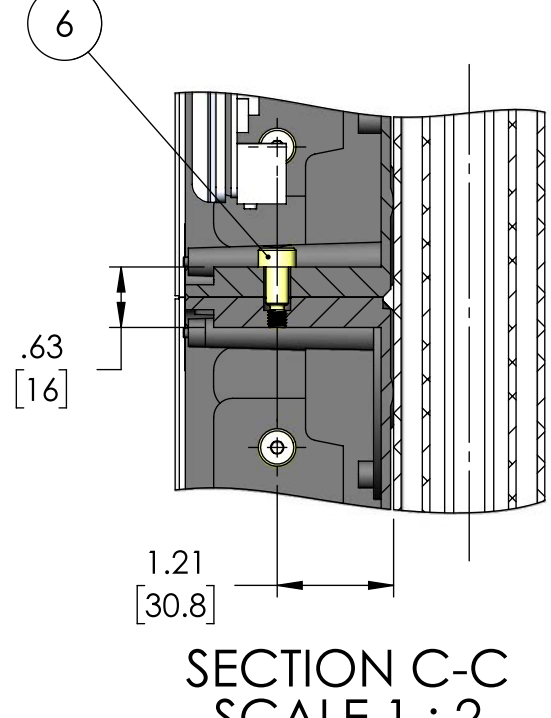
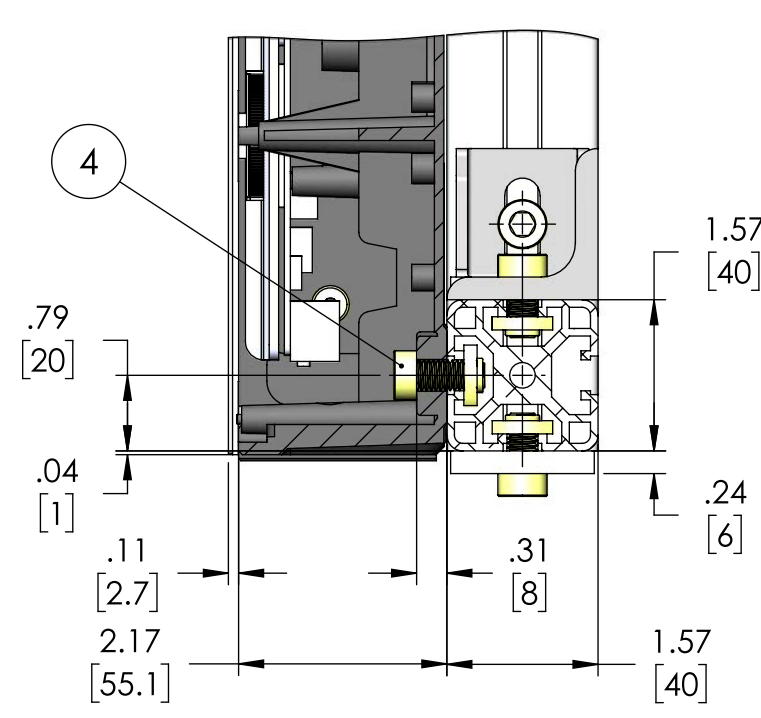
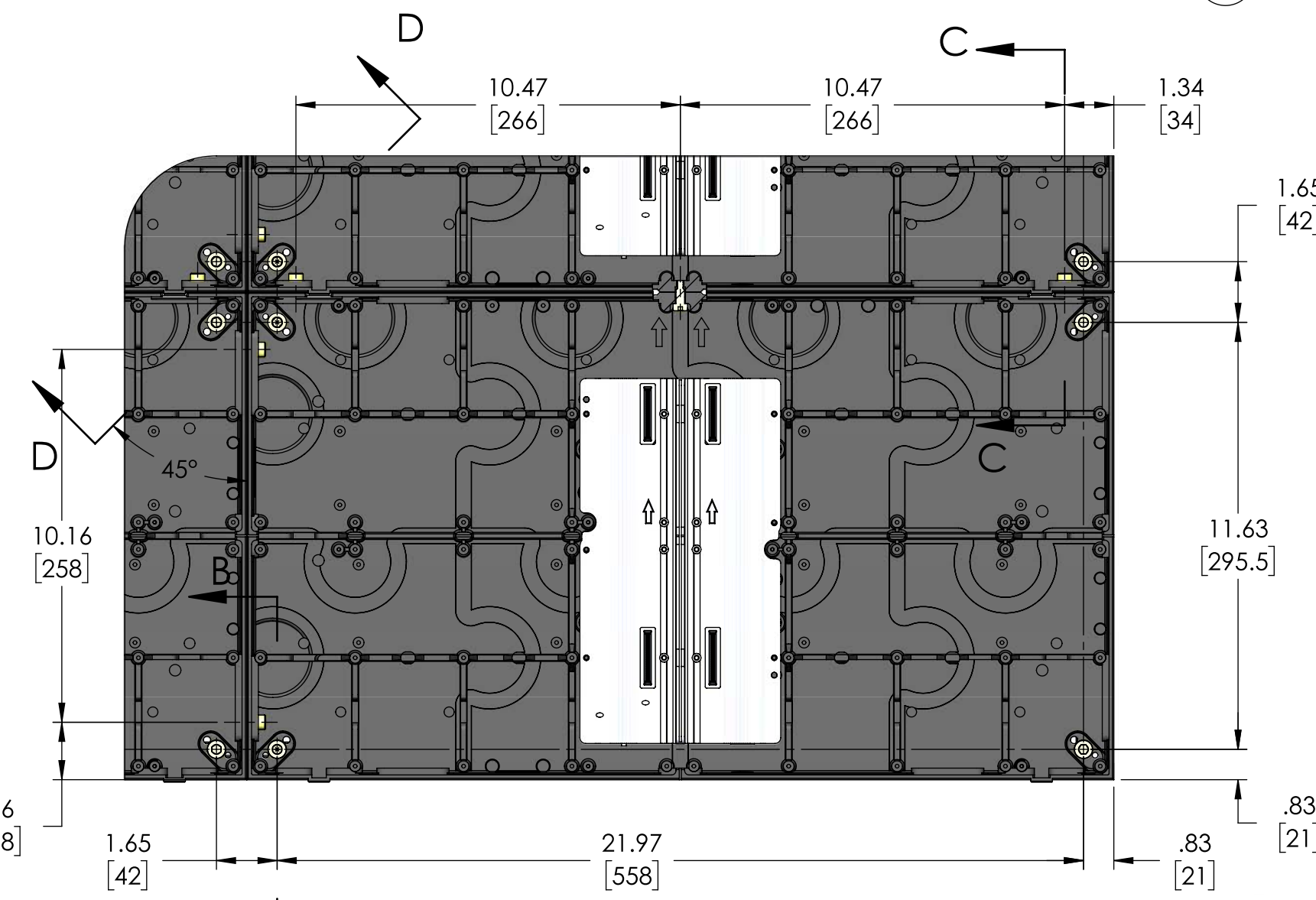
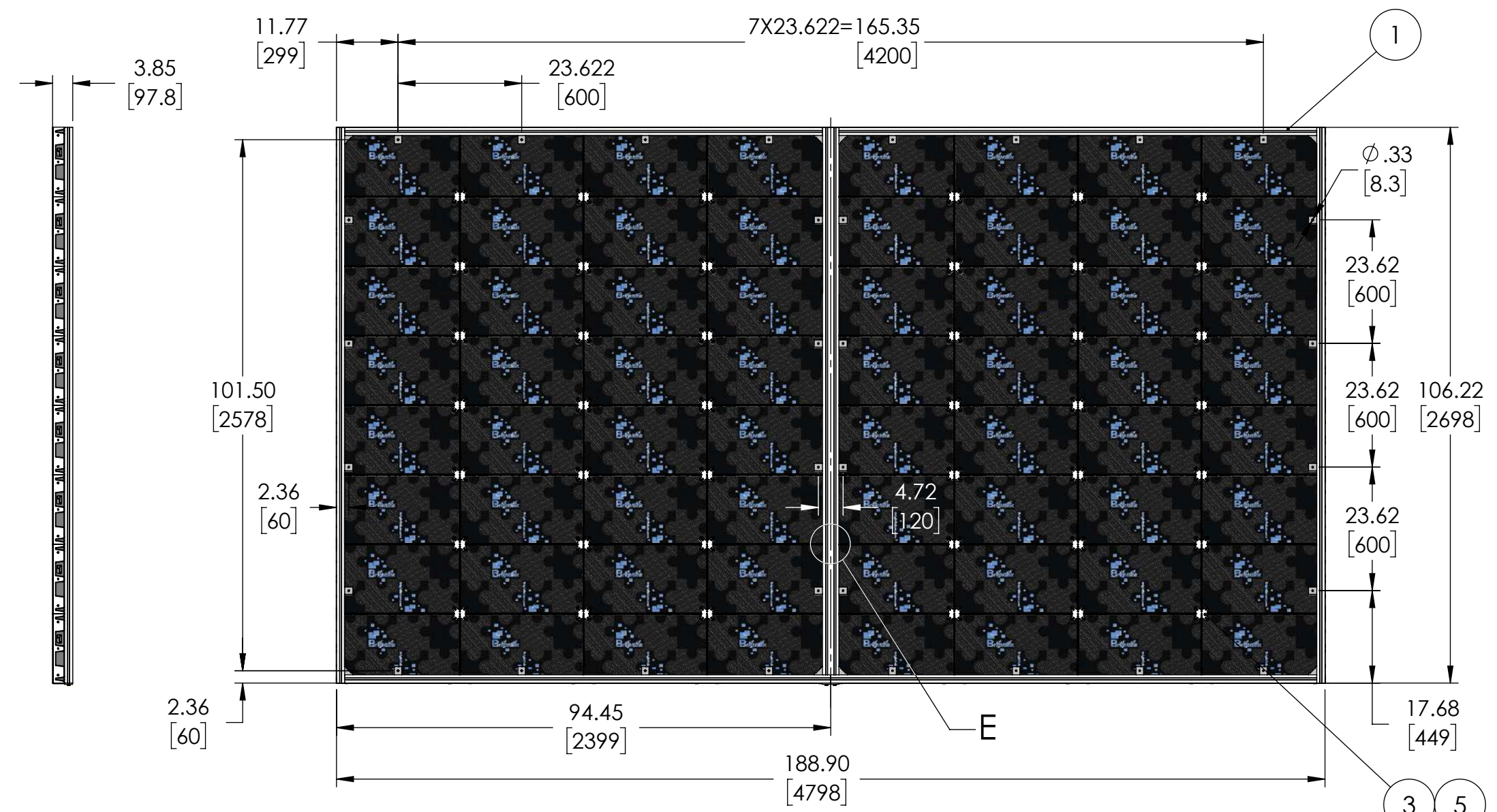
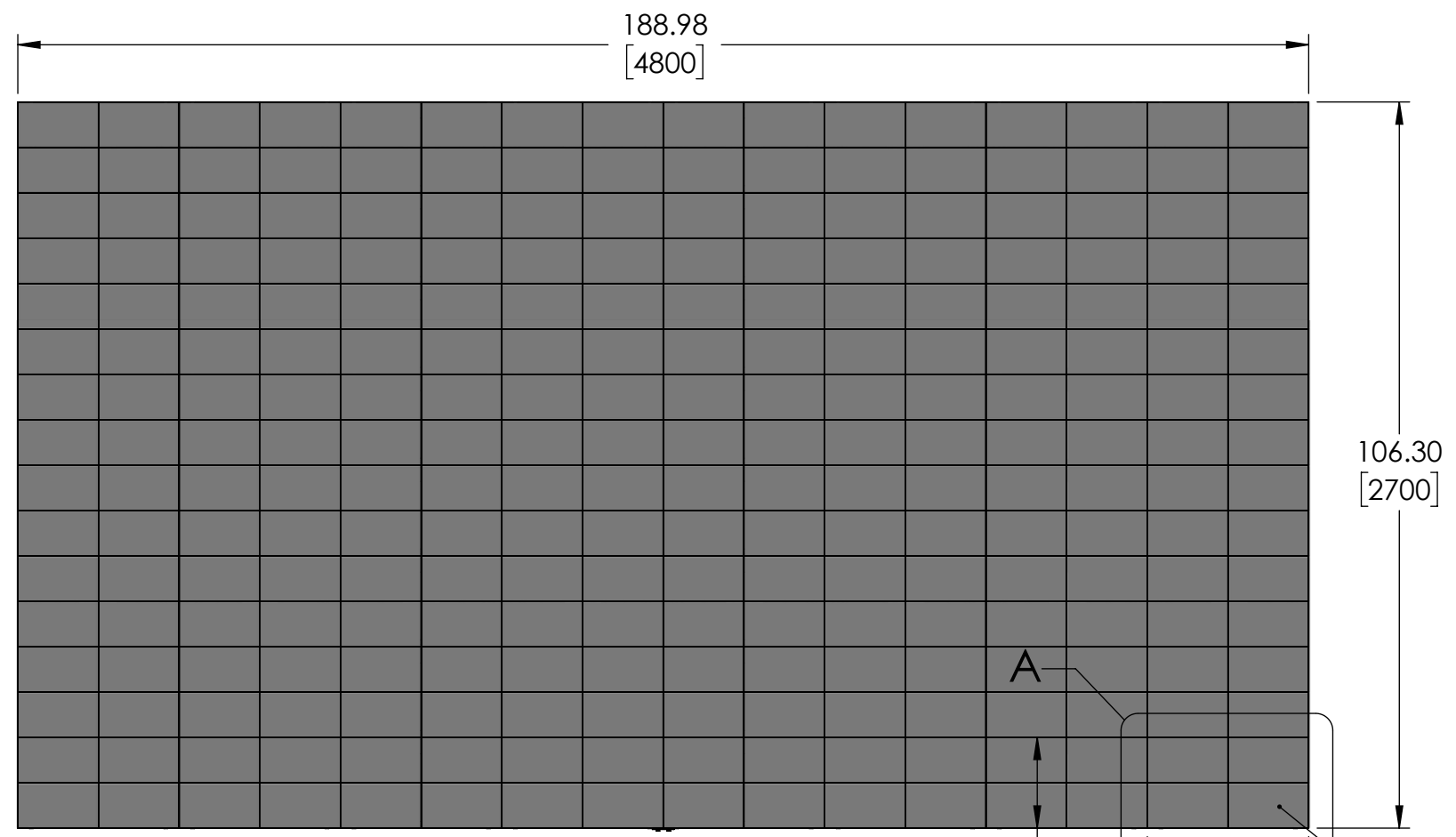
UNLESS OTHERWISE SPECIFIED: DIMENSIONS ARE IN INCHES TOLERANCES: FRACTIONAL: ±1/64 ANGULAR: MACH ±.5° ONE PLACE DECIMAL: ±0.1" TWO PLACE DECIMAL: ±0.01" THREE PLACE DECIMAL: ±0.005" MACHINED SURFACE: 125 μin. INTERPRET GEOMETRIC TOLERANCING PER ASME Y14.5M - 2009.		NAME	DATE	
DRAWN	SL	TITLE: LED Wall Mounting Frame 217"- 8x8		
CHECKED	TE	SIZE DWG. NO. REV		
ENG APPR.		C BL-LED-217-8x8_01		
MFG APPR.		COMMENTS: 1. THIRD ANGLE PROJECTION		SCALE: 1:15 WEIGHT: 77.87 SHEET 1 OF 1
Q.A.	TE	MATERIAL ASSEMBLY		
FINISH		APPLICATION		

4

3

2

1



NOTES:

- Dimensions are in inches/[mm].
- Cabinet installation begins from the bottom row.

ITEM NO.	Part NO	Description	Material	Weight	Q-ty
6		Screw	Shoulder Screw	0.013	280
5		Screw	SHCS M8x16	0.028	168
4		Screw/Nut	Fastening Kit M8 For T-Slotted Framing	0.05	88
3		X-Bracket	AL	0.16	42
2	BL-CABINET-169	LED Cabinet 23.6"x13.3"	ASSEMBLY	12.11	64
1	BL-LED-217-8x8_01	LED Wall Mounting Frame 217"- 8x8	ASSEMBLY	77.87	1

UNLESS OTHERWISE SPECIFIED: DIMENSIONS ARE IN INCHES TOLERANCES: FRACTIONAL: ±1/64 ANGULAR: MACH±.5° ONE PLACE DECIMAL ±0.1" TWO PLACE DECIMAL ±0.01" THREE PLACE DECIMAL ±0.005" MACHINED SURFACE 125 µin. INTERPRET GEOMETRIC TOLERANCING PER ASME Y14.5M - 2009.		NAME SL	DATE	
MATERIAL ASSEMBLY		FINISH	COMMENTS: 1. THIRD ANGLE PROJECTION	
TITLE: LED Wall System 217"- 8x8		SIZE C		DWG. NO. BL-LED-217-8x8
REVISIONS		SCALE: 1:25		WEIGHT: 873
SHEET 1 OF 1		REV		

PROPRIETARY AND CONFIDENTIAL  
THIS DRAWING AND THE INFORMATION AND TECHNICAL DATA CONTAINED HEREIN ARE THE EXCLUSIVE PROPERTY OF Brightlink AV LTD AND SHALL BE RETURNED TO THEM UPON REQUEST. THIS DRAWING CONTAINS PROPRIETARY AND CONFIDENTIAL INFORMATION AND IS NOT TO BE REPRODUCED IN WHOLE OR IN PART OR DISCLOSED TO ANYONE ELSE WITHOUT THE EXPRESS WRITTEN CONSENT OF Brightlink AV LTD.

4

3

2

1

D

D

C

C

B

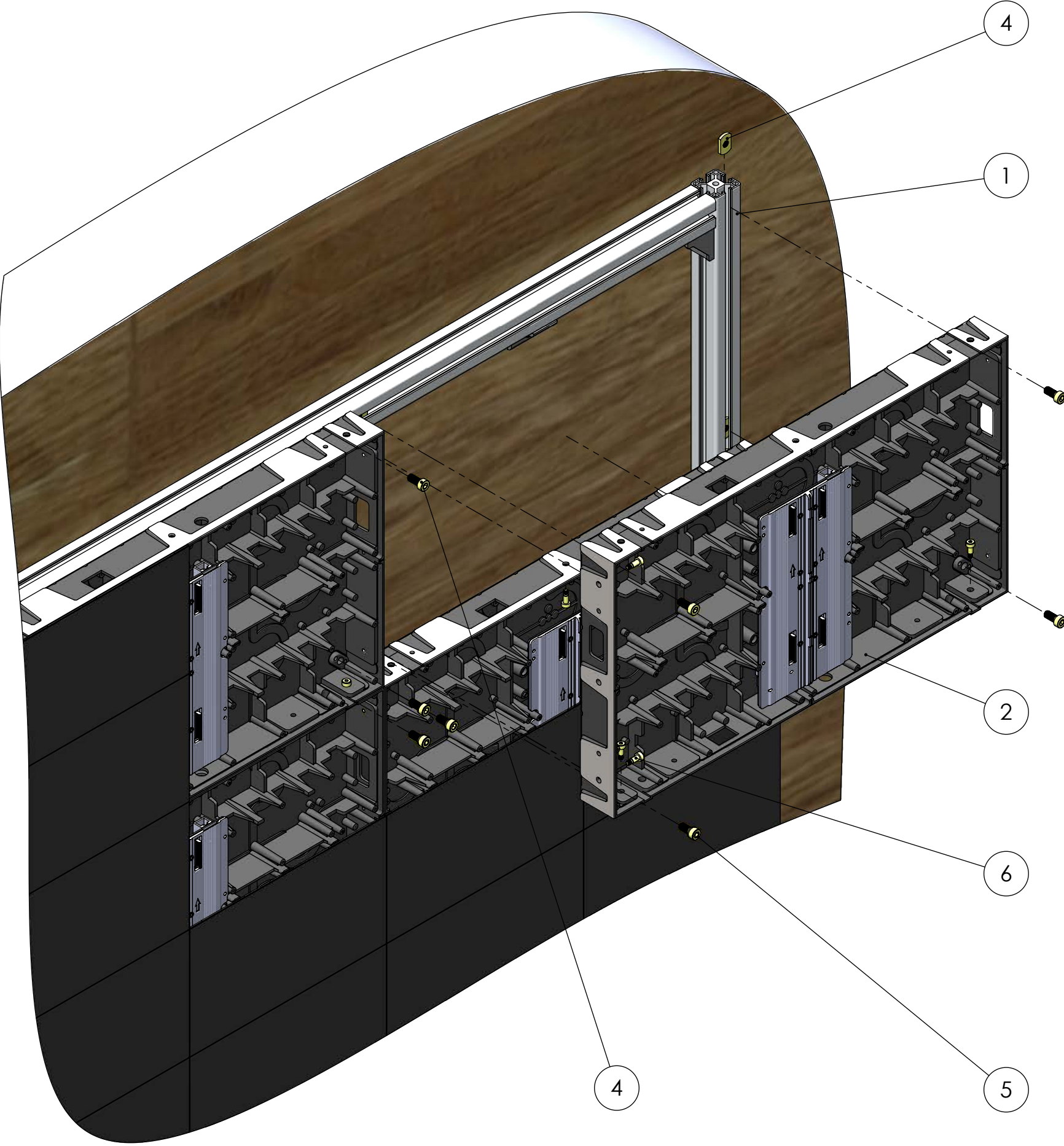
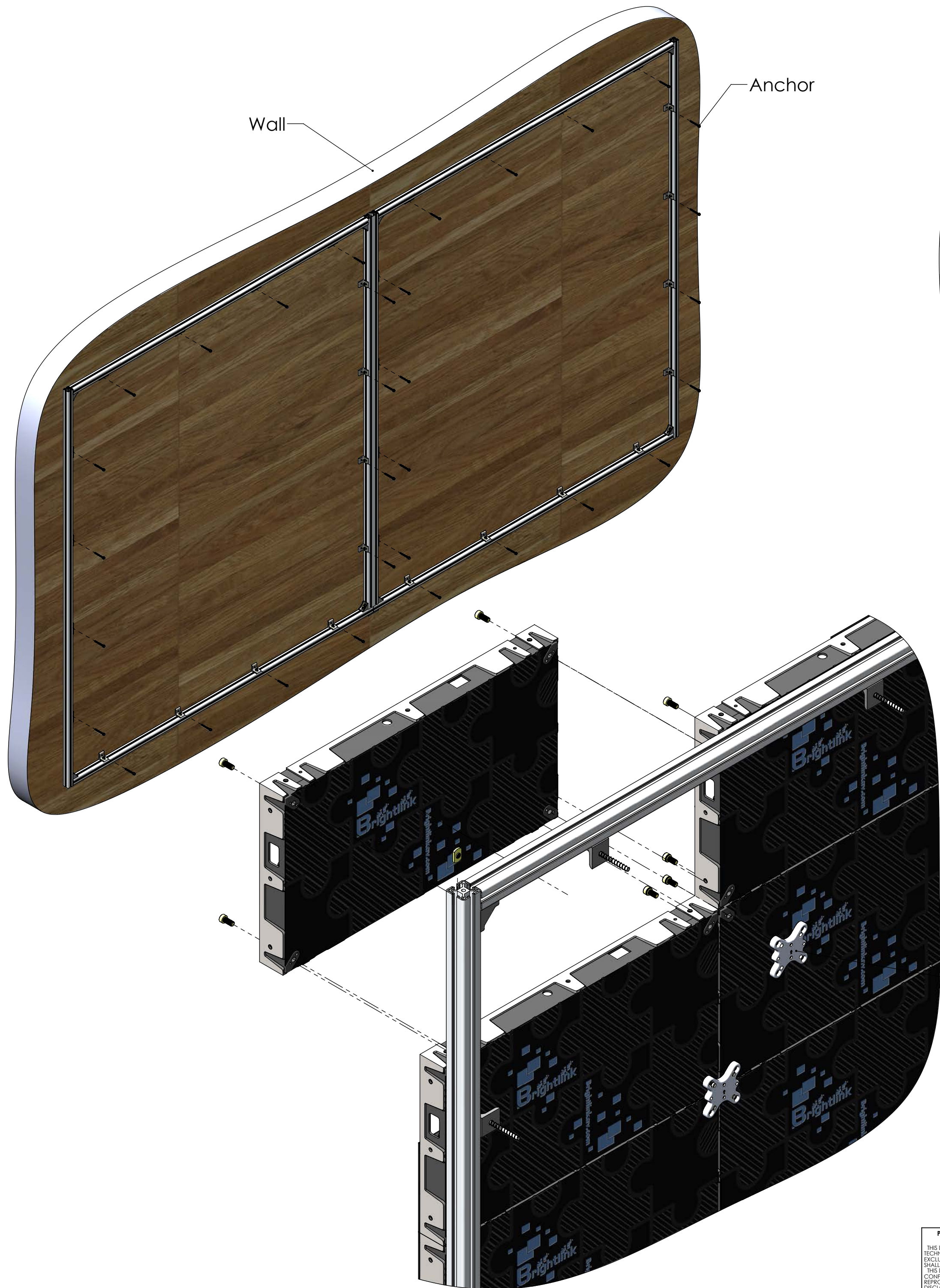
B

A

A

Wall

Anchor



**PROPRIETARY AND CONFIDENTIAL**  
 THIS DRAWING AND THE INFORMATION AND TECHNICAL DATA CONTAINED HEREIN ARE THE EXCLUSIVE PROPERTY OF Brightlink AV LTD. AND SHALL BE RETURNED TO THEM UPON REQUEST. THIS DRAWING CONTAINS PROPRIETARY AND CONFIDENTIAL INFORMATION AND IS NOT TO BE REPRODUCED IN WHOLE OR IN PART OR DISCLOSED TO ANYONE ELSE WITHOUT THE EXPRESS WRITTEN CONSENT OF Brightlink AV LTD.

		UNLESS OTHERWISE SPECIFIED:		NAME	DATE
		DIMENSIONS ARE IN INCHES		DRAWN	SL
		TOLERANCES:		CHECKED	TE
		FRACTIONAL: ±1/64		ENG APPR.	
		ANGULAR: MACH±.5°		MFG APPR.	
		ONE PLACE DECIMAL ±0.1"		Q.A.	TE
		TWO PLACE DECIMAL ±0.01"		COMMENTS:	
		THREE PLACE DECIMAL ±0.005"		1. THIRD ANGLE PROJECTION	
		MACHINED SURFACE 125 µin.			
		INTERPRET GEOMETRIC TOLERANCING PER ASME Y14.5M - 2009.			
NEXT ASSY		USED ON		FINISH	
APPLICATION		DO NOT SCALE DRAWING			

TITLE: LED Wall System 217"- 8x8 Installation Layout		
SIZE	DWG. NO.	REV
<b>C</b>		
SCALE:	WEIGHT:	SHEET 1 OF 1

4

3

2

1