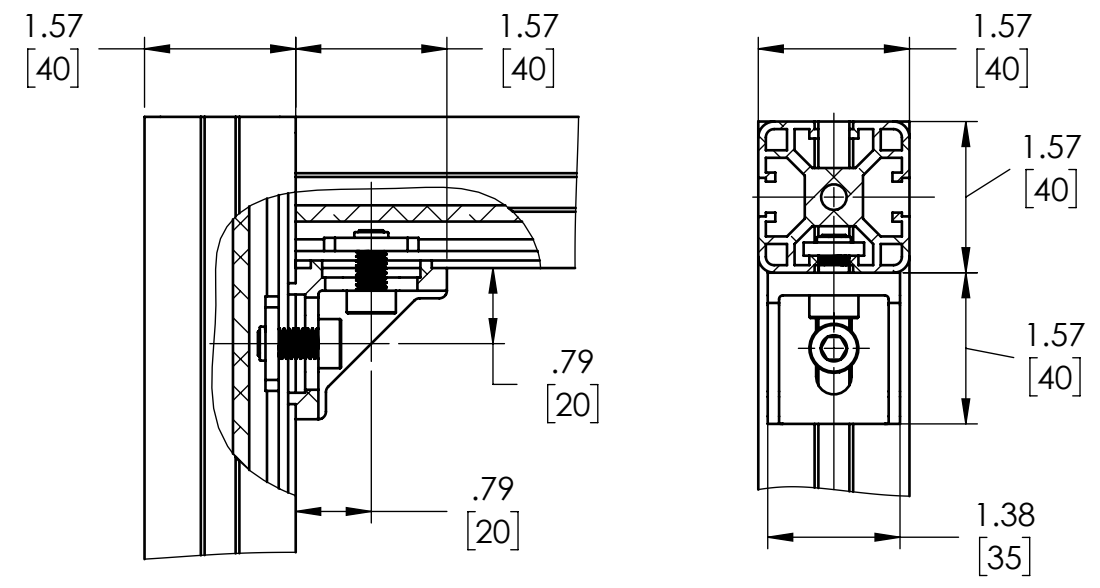


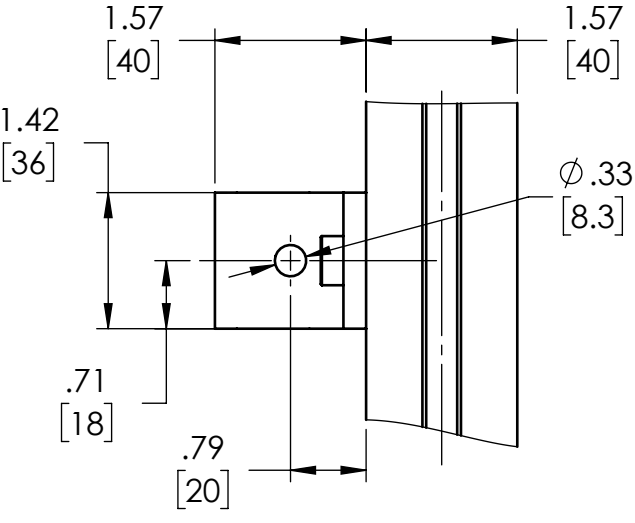
SECTION A-A

SECTION B-B

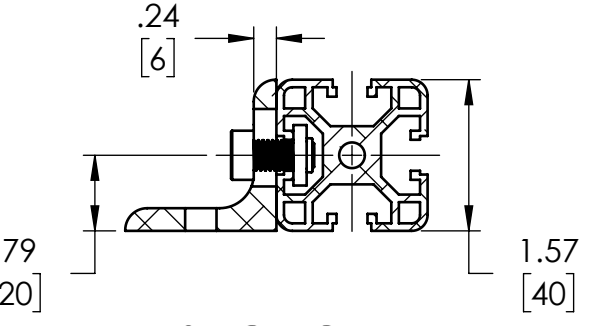


DETAIL C SCALE 1 : 2

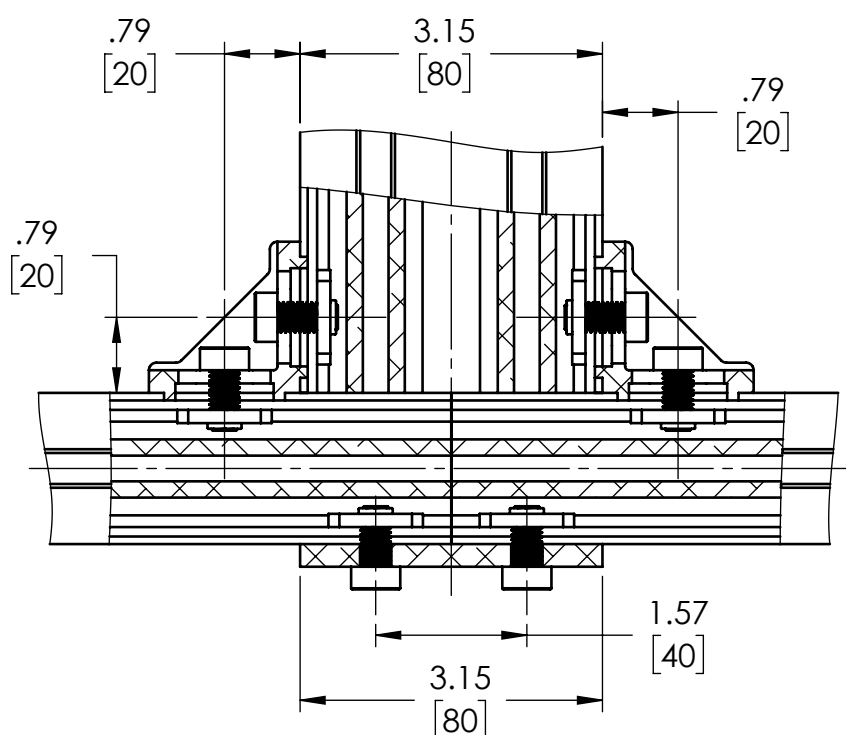
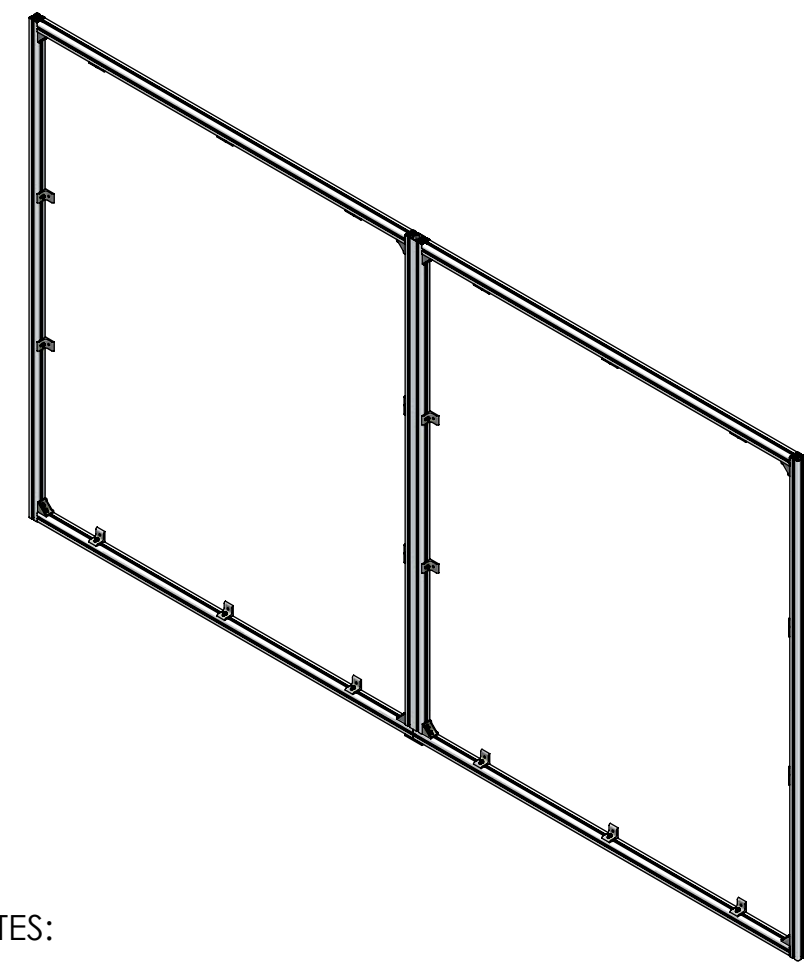
DETAIL D SCALE 1 : 2



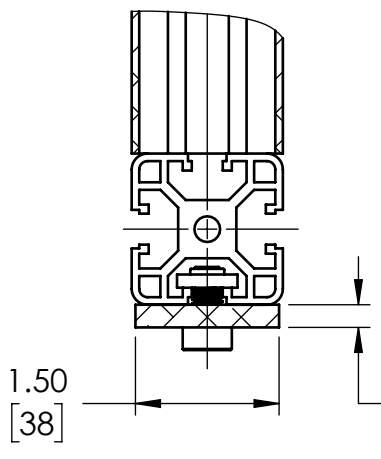
DETAIL E SCALE 1 : 2



SECTION F-F SCALE 1 : 2



DETAIL G SCALE 1 : 2



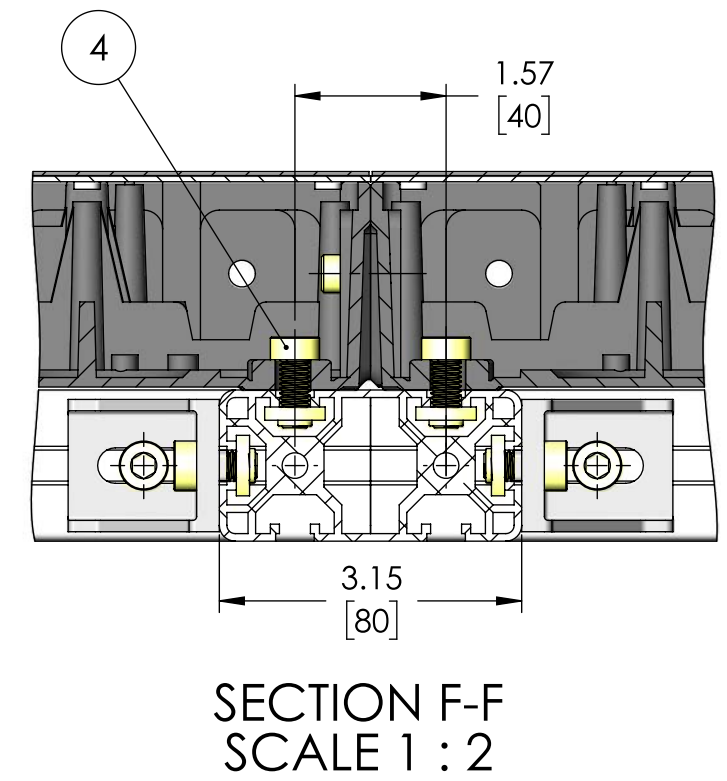
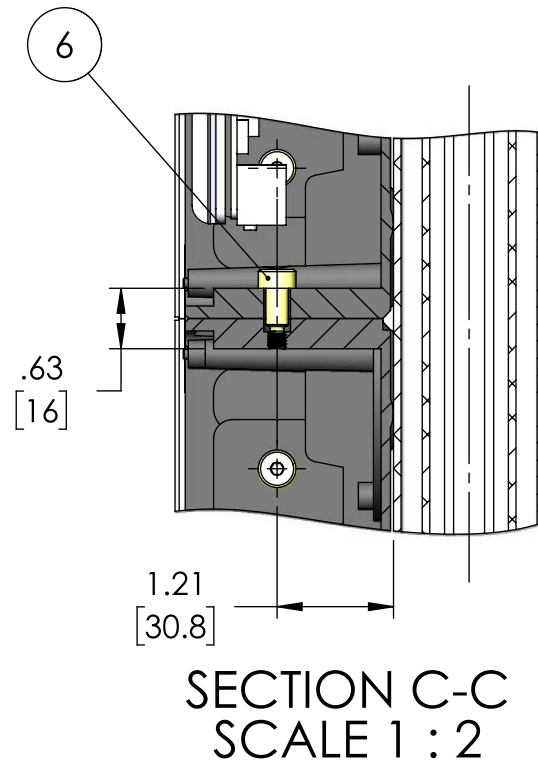
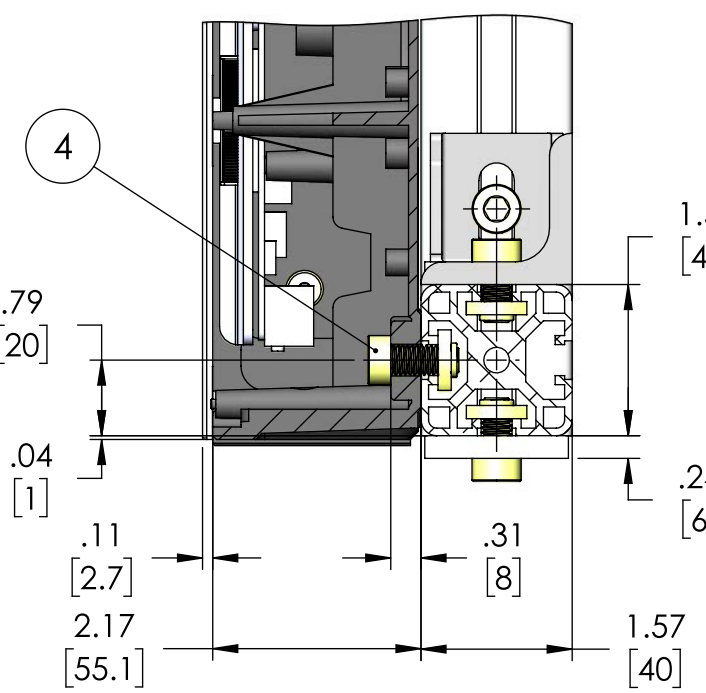
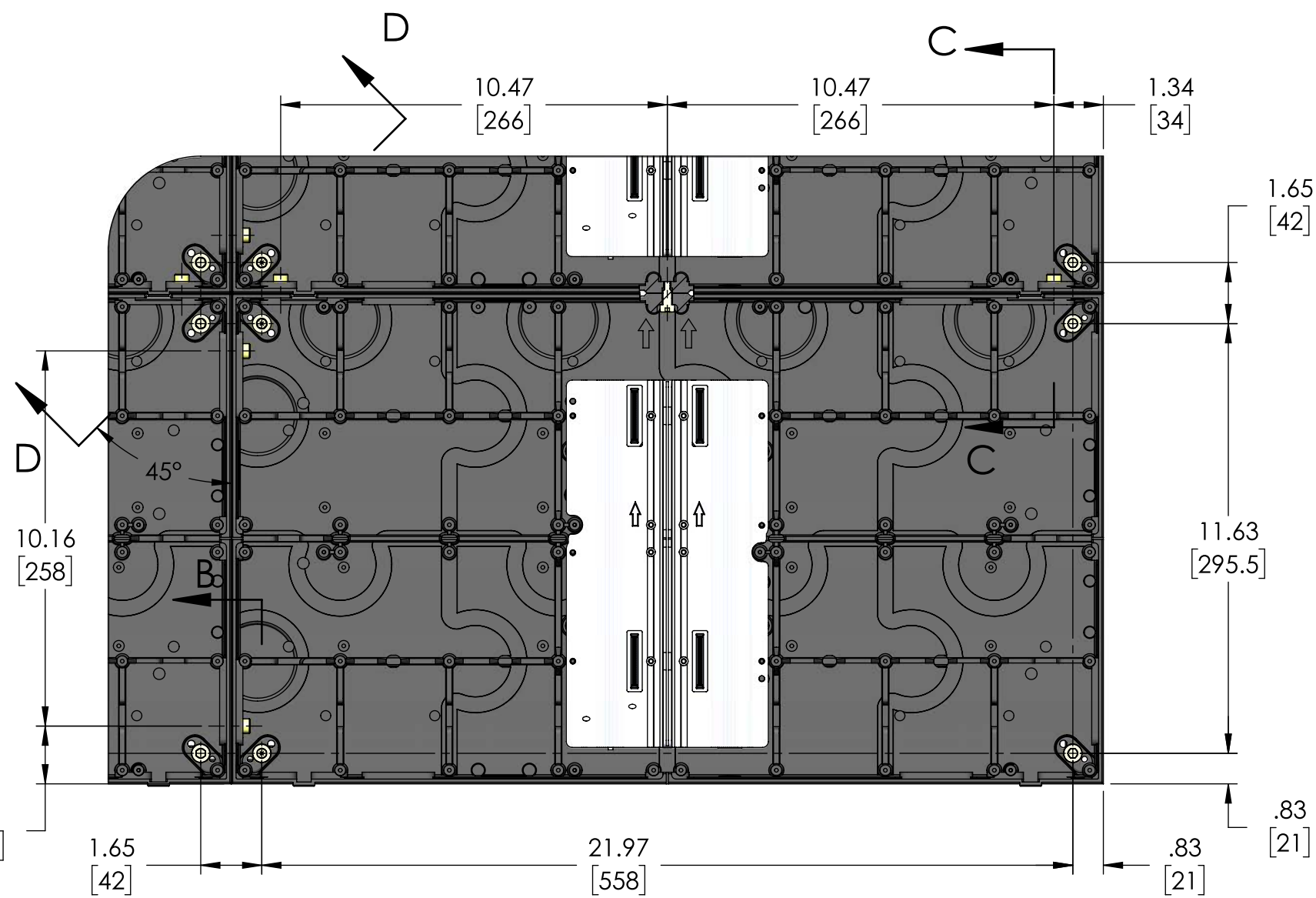
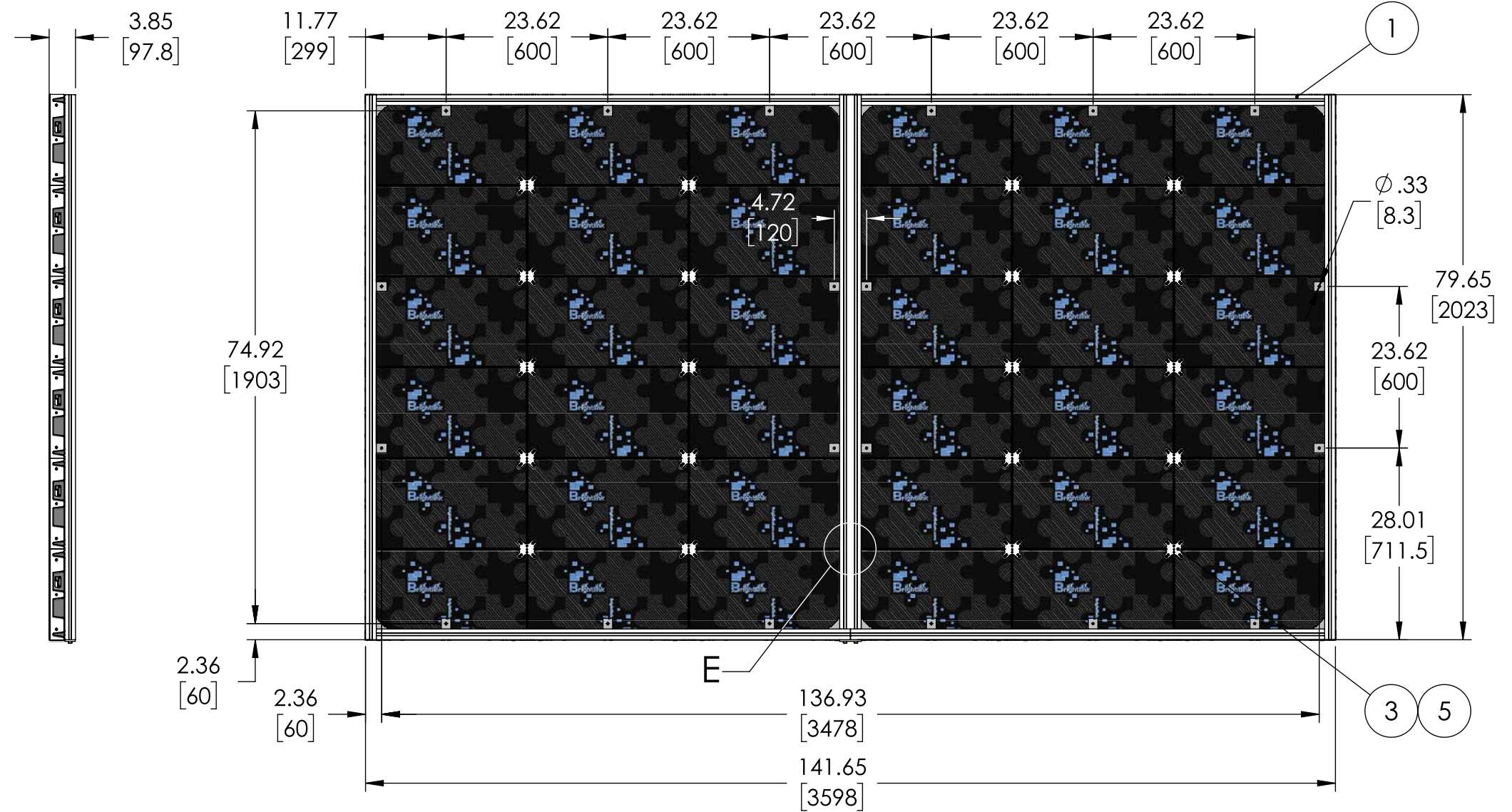
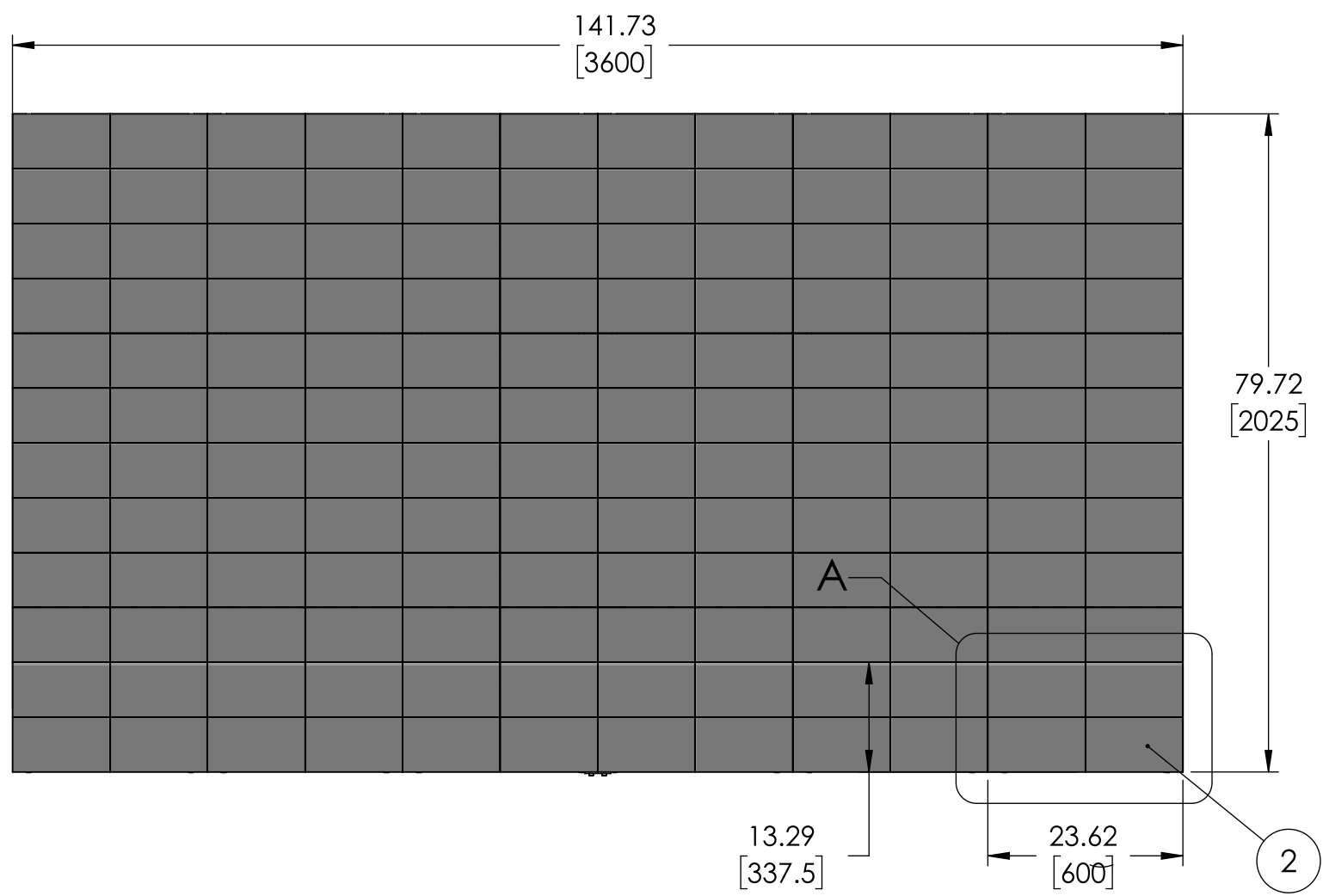
SECTION H-H SCALE 1 : 2

NOTES:
1. Dimensions are in inches/[mm].

PROPRIETARY AND CONFIDENTIAL
THIS DRAWING AND THE INFORMATION AND TECHNICAL DATA CONTAINED HEREIN ARE THE EXCLUSIVE PROPERTY OF Brightlink AV LTD. AND SHALL BE RETURNED TO THEM UPON REQUEST. THIS DRAWING CONTAINS PROPRIETARY AND CONFIDENTIAL INFORMATION AND IS NOT TO BE REPRODUCED IN WHOLE OR IN PART OR DISCLOSED TO ANYONE ELSE WITHOUT THE EXPRESS WRITTEN CONSENT OF Brightlink AV LTD.

8	Screw/Nut	Fastening Kit M8 For T-Slotted Framing	0.04	38	
7	Bracket	Bracket For T-Slotted Framing	0.09	20	
6	4040I-8	Bracket	Corner Bracket For T-Slotted Framing	0.08	8
5	6041	Plate	Joint Plate For T-Slotted Framing	0.10	1
4	L=78.07"/1983mm	Profile	T-Slotted Profile OB4080A	12.85	1
3	L=69.25"/1759mm	Profile	T-Slotted Profile OB4040B	6.54	2
2	L=79.65"/2023mm	Profile	T-Slotted Profile OB4040B	7.53	2
1	L=67.68"/1719mm	Profile	T-Slotted Profile OB4040B	6.39	2
ITEM NO.	Part NO	Description	Material	Weight	Q-ty

UNLESS OTHERWISE SPECIFIED: DIMENSIONS ARE IN INCHES TOLERANCES: FRACTIONAL ±1/64 ANGULAR: MACH±.5° ONE PLACE DECIMAL ±0.1" TWO PLACE DECIMAL ±0.01" THREE PLACE DECIMAL ±0.005" MACHINED SURFACE 125 µin. INTERPRET GEOMETRIC TOLERANCING PER ASME Y14.5M - 2009.		NAME	DATE	<p>TITLE: LED Wall Mounting Frame 163"- 6x6</p>		
DRAWN	SL	CHECKED	TE.			
ENG APPR.		MFG APPR.				
Q.A.	TE.	COMMENTS:	1. THIRD ANGLE PROJECTION			
MATERIAL	ASSEMBLY	FINISH		SIZE DWG. NO.	REV	
NEXT ASSY	USED ON	APPLICATION	DO NOT SCALE DRAWING	C BL-LED-163-6x6_01		
				SCALE: 1:15	WEIGHT: 57.95	SHEET 1 OF 1



DETAIL A
SCALE 1 : 4
LED MODULES ARE NOT SHOWN

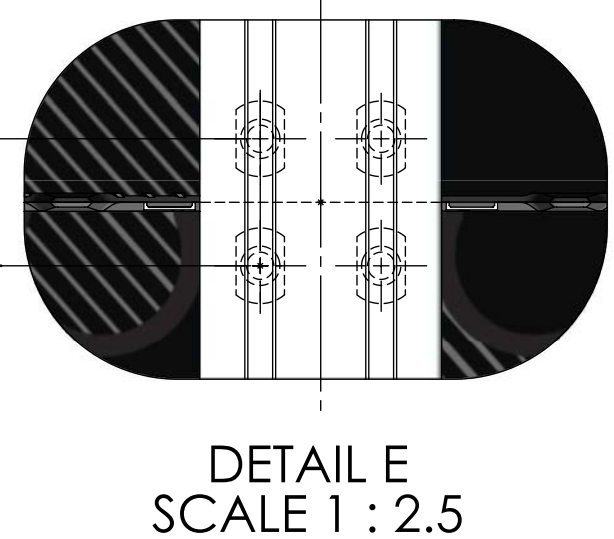
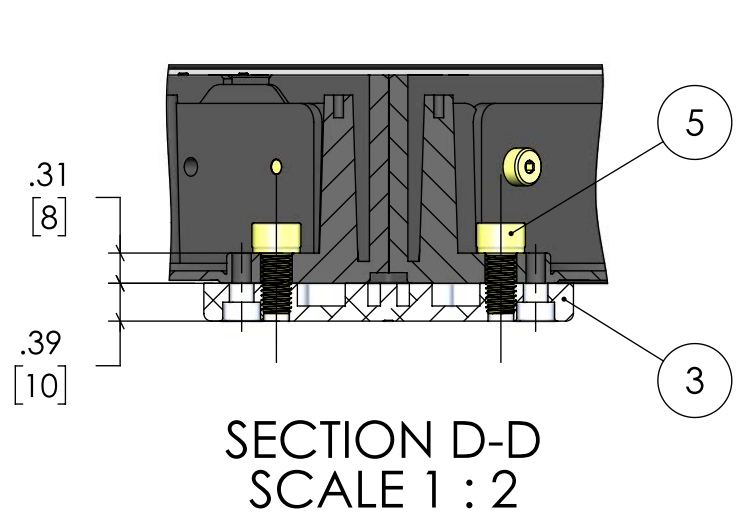
SECTION B-B
SCALE 1 : 2

SECTION C-C
SCALE 1 : 2

SECTION F-F
SCALE 1 : 2

- NOTES:**
- Dimensions are in inches/[mm].
 - Cabinet installation begins from the bottom row.

ITEM NO.	Part NO	Description	Material	Weight	Q-ty
6		Screw	Shoulder Screw	0.013	150
5		Screw	SHCS M8x16	0.028	80
4		Screw/Nut	Fastening Kit M8 For T-Slotted Framing	0.05	68
3		X-Bracket	AL	0.16	20
2	BL-CABINET-169	LED Cabinet 23.6"x13.3"	ASSEMBLY	12.11	36
1	BL-LED-163-6x6_01	LED Wall Mounting Frame 163"- 6x6	ASSEMBLY	57.95	1



SECTION D-D
SCALE 1 : 2

DETAIL E
SCALE 1 : 2.5

PROPRIETARY AND CONFIDENTIAL
THIS DRAWING AND THE INFORMATION AND TECHNICAL DATA CONTAINED HEREIN ARE THE EXCLUSIVE PROPERTY OF Brightlink AV LTD. AND SHALL BE RETURNED TO THEM UPON REQUEST. THIS DRAWING CONTAINS PROPRIETARY AND CONFIDENTIAL INFORMATION AND IS NOT TO BE REPRODUCED IN WHOLE OR IN PART OR DISCLOSED TO ANYONE ELSE WITHOUT THE EXPRESS WRITTEN CONSENT OF Brightlink AV LTD.

UNLESS OTHERWISE SPECIFIED: DIMENSIONS ARE IN INCHES TOLERANCES: FRACTIONAL: ±1/64 ANGULAR: MACH±.5° ONE PLACE DECIMAL ±0.1" TWO PLACE DECIMAL ±0.01" THREE PLACE DECIMAL ±0.005" MACHINED SURFACE 125 µin. INTERPRET GEOMETRIC TOLERANCING PER ASME Y14.5M - 2009.		NAME SL	DATE	
DRAWN	TE.	TITLE: LED Wall System 163"- 6x6		
CHECKED	TE.	SIZE DWG. NO. REV C BL-LED-163-6x6		
ENG APPR.	TE.	SCALE: 1:20 WEIGHT: 505 SHEET 1 OF 1		
MFG APPR.	TE.	COMMENTS: 1. THIRD ANGLE PROJECTION		
Q.A.	TE.	MATERIAL ASSEMBLY		
FINISH		APPLICATION DO NOT SCALE DRAWING		

4

3

2

1

D

D

C

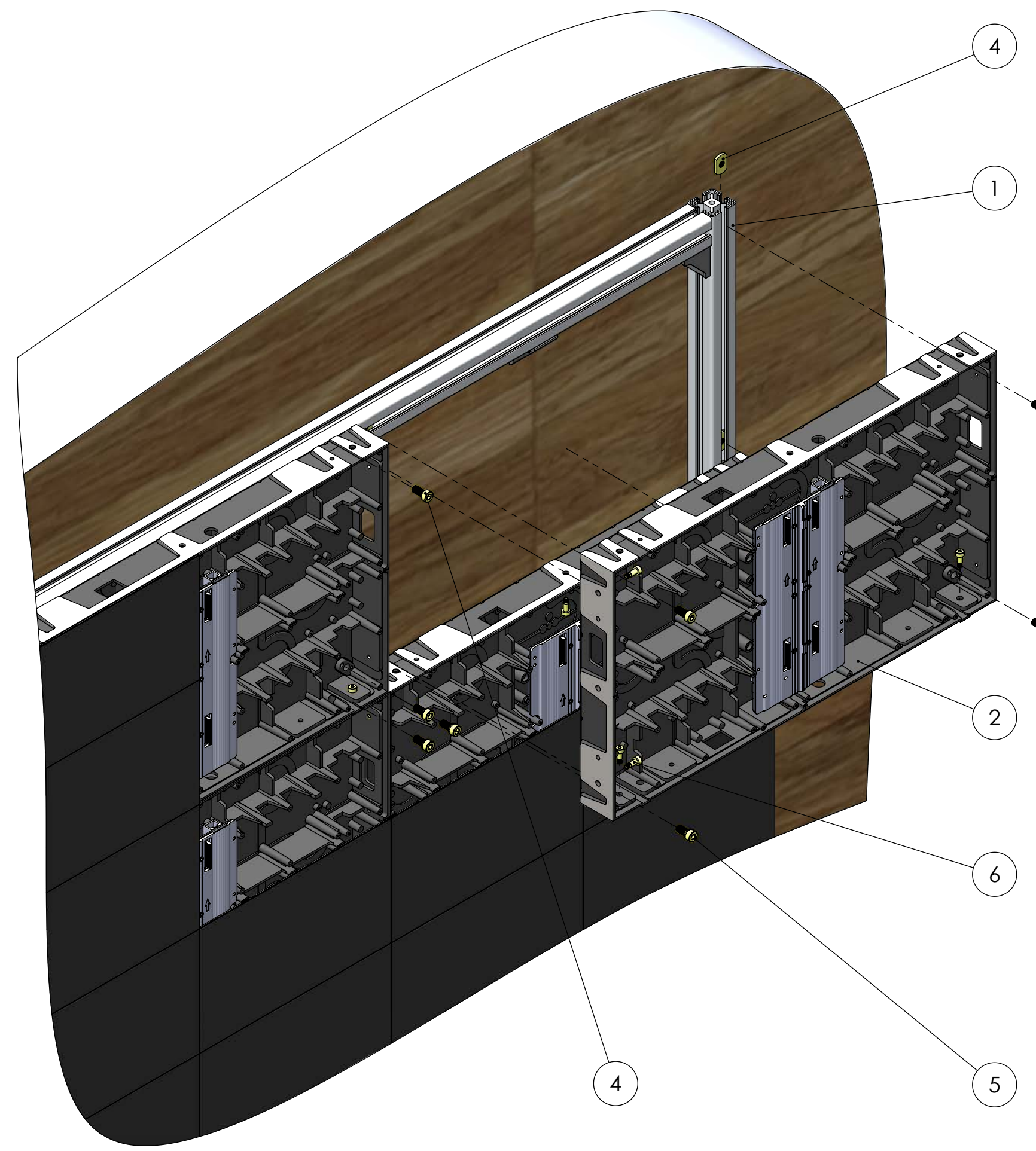
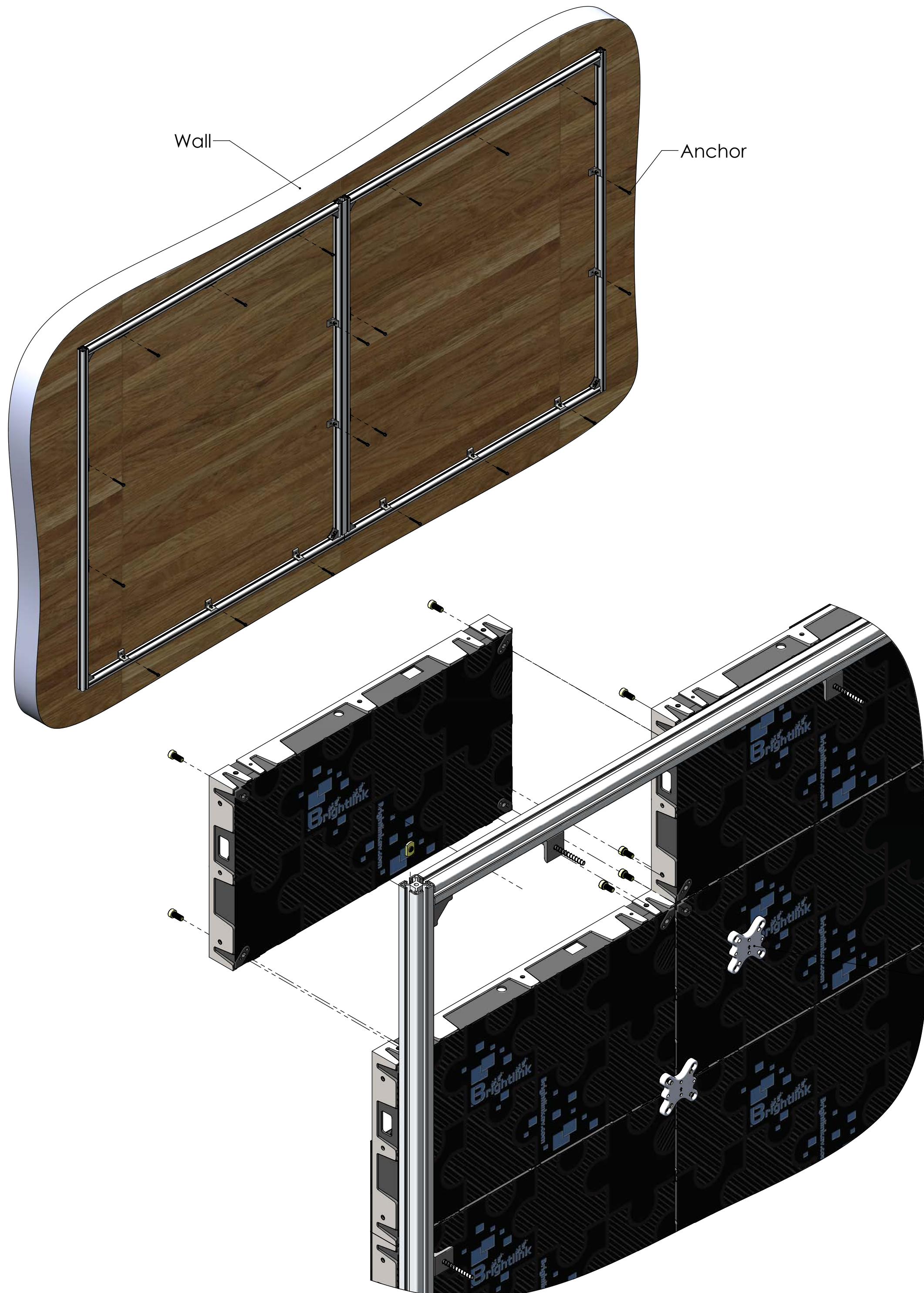
C

B

B


A

A



PROPRIETARY AND CONFIDENTIAL

THIS DRAWING AND THE INFORMATION AND TECHNICAL DATA CONTAINED HEREIN ARE THE EXCLUSIVE PROPERTY OF Brightlink AV LTD. AND SHALL BE RETURNED TO THEM UPON REQUEST. THIS DRAWING CONTAINS PROPRIETARY AND CONFIDENTIAL INFORMATION AND IS NOT TO BE REPRODUCED IN WHOLE OR IN PART OR DISCLOSED TO ANYONE ELSE WITHOUT THE EXPRESS WRITTEN CONSENT OF Brightlink AV LTD.

		UNLESS OTHERWISE SPECIFIED:		NAME	DATE	 <p>TITLE: LED Wall System 163"- 6x6 Installation Layout</p>	
		DIMENSIONS ARE IN INCHES		DRAWN	SL		
		TOLERANCES:		CHECKED	TE		
		FRACTIONAL ±1/64		ENG APPR.			
		ANGULAR: MACH±.5°		MFG APPR.		Q.A.	TE
		ONE PLACE DECIMAL ±0.1"		COMMENTS:		1. THIRD ANGLE PROJECTION	
		TWO PLACE DECIMAL ±0.01"		MATERIAL		ASSEMBLY	
		THREE PLACE DECIMAL ±0.005"		FINISH			
		MACHINED SURFACE 125 µm		APPLICATION		DO NOT SCALE DRAWING	
		INTERPRET GEOMETRIC TOLERANCING PER ASME Y14.5M - 2009.				SIZE DWG. NO. REV	
NEXT ASSY		USED ON				C	
						SCALE: WEIGHT: SHEET 1 OF 1	

4

3

2

1