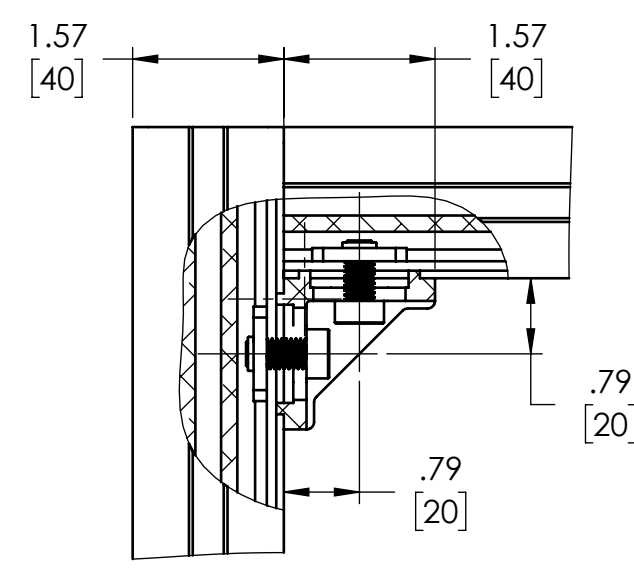
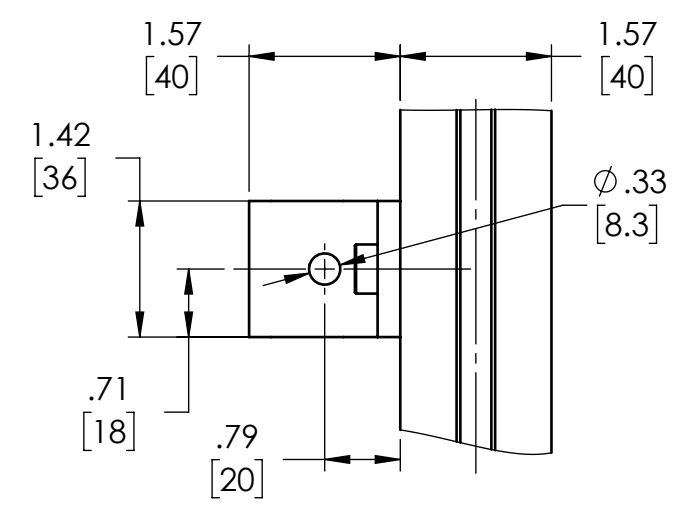


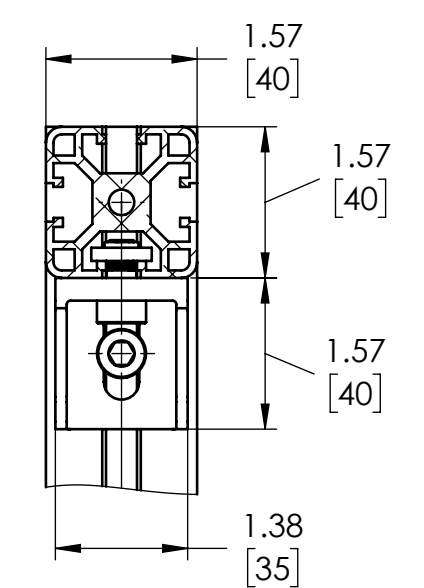
SECTION A-A



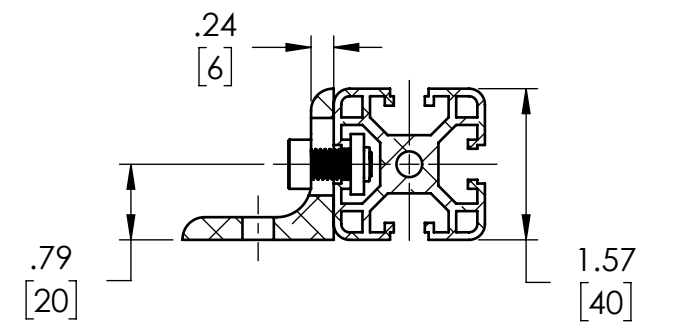
DETAIL C  
SCALE 1 : 2



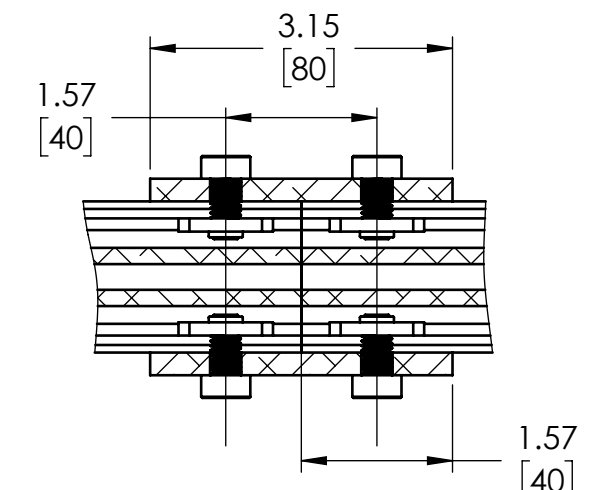
DETAIL E  
SCALE 1 : 2



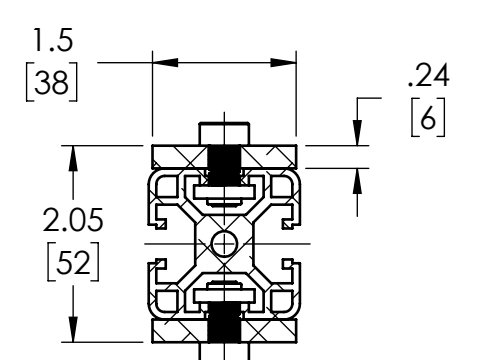
DETAIL D  
SCALE 1 : 2



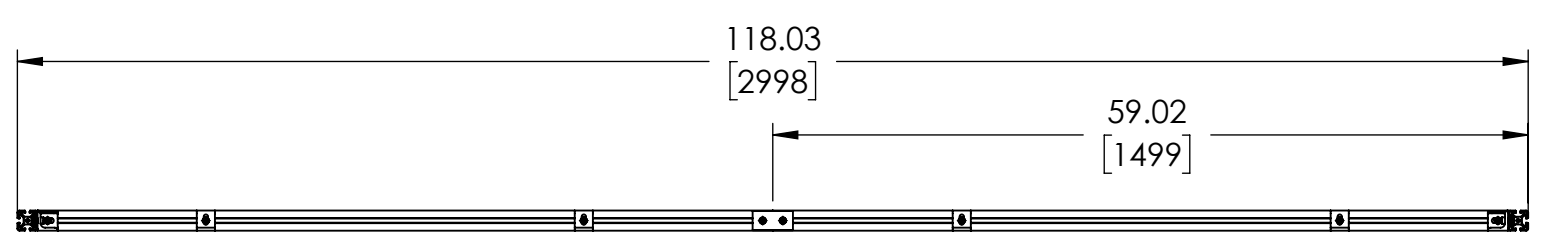
SECTION F-F  
SCALE 1 : 2



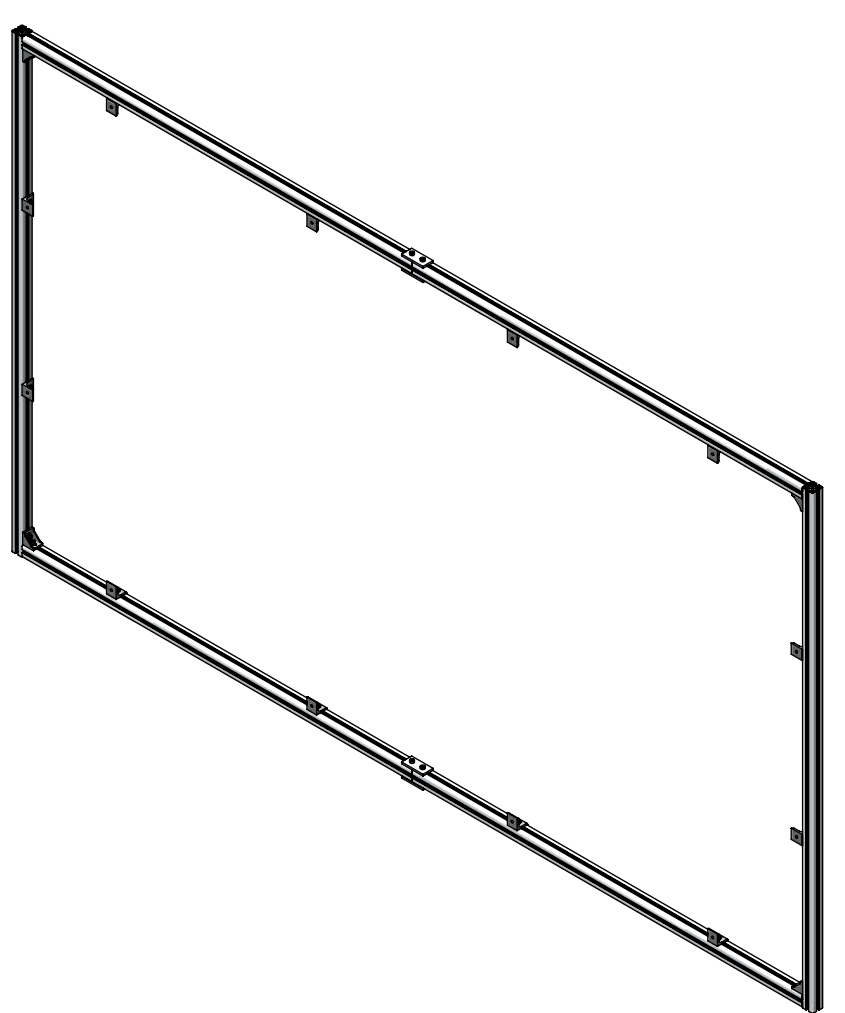
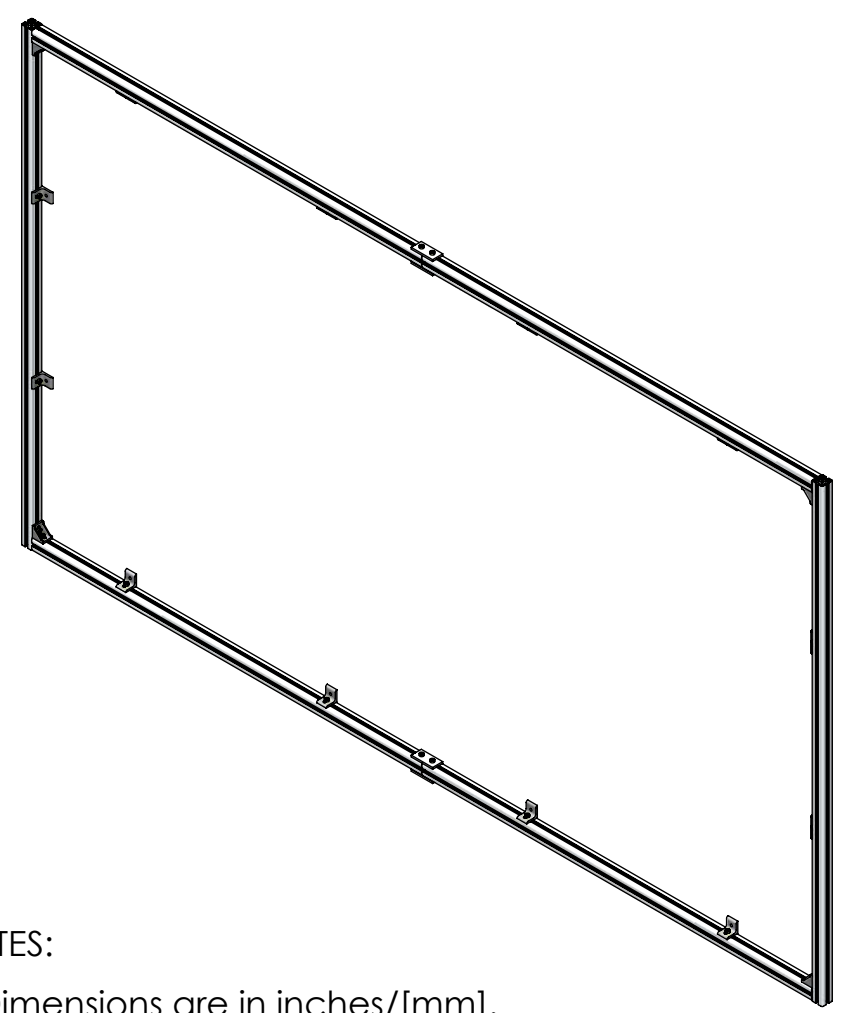
DETAIL G  
SCALE 1 : 2



SECTION H-H  
SCALE 1 : 2



SECTION B-B

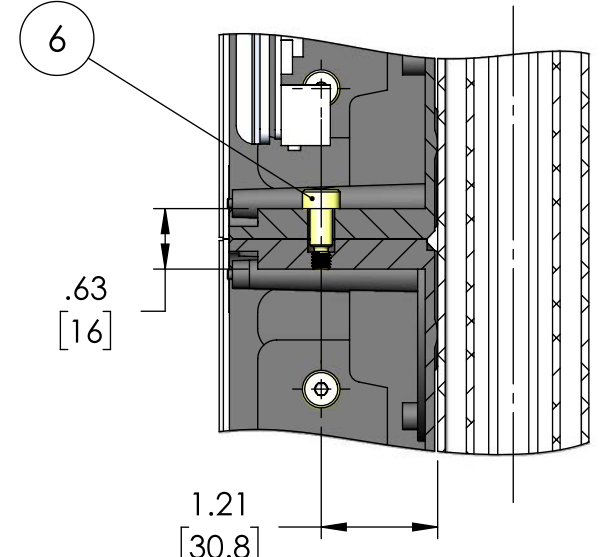
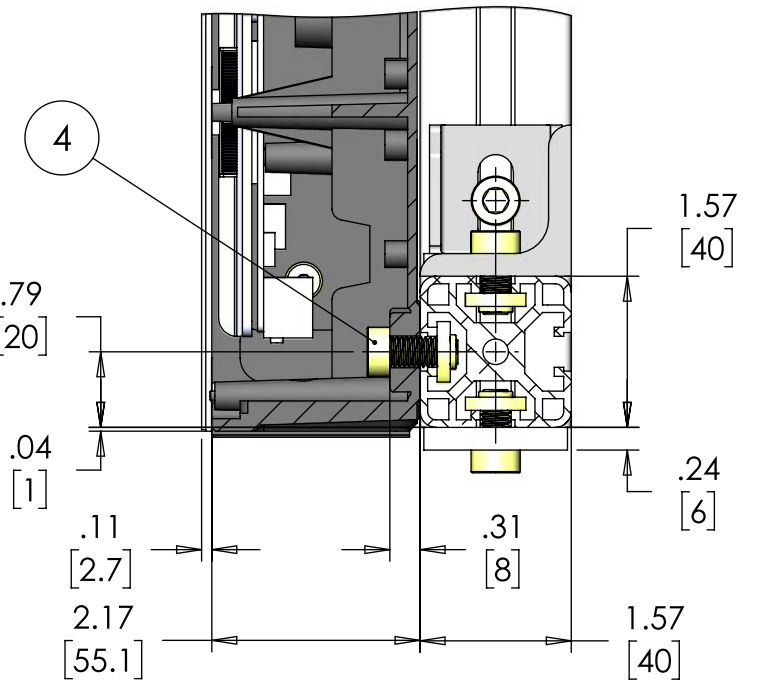
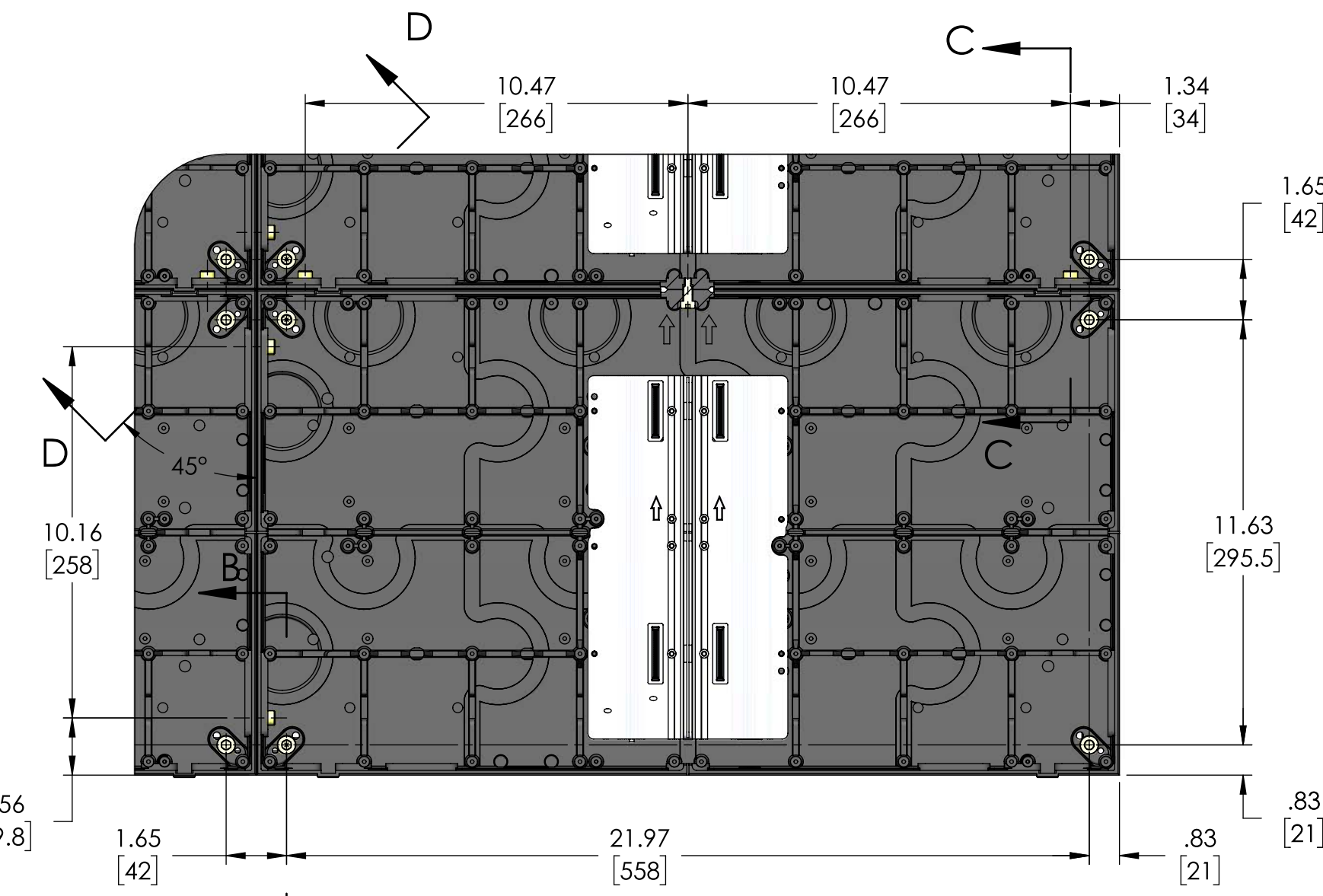
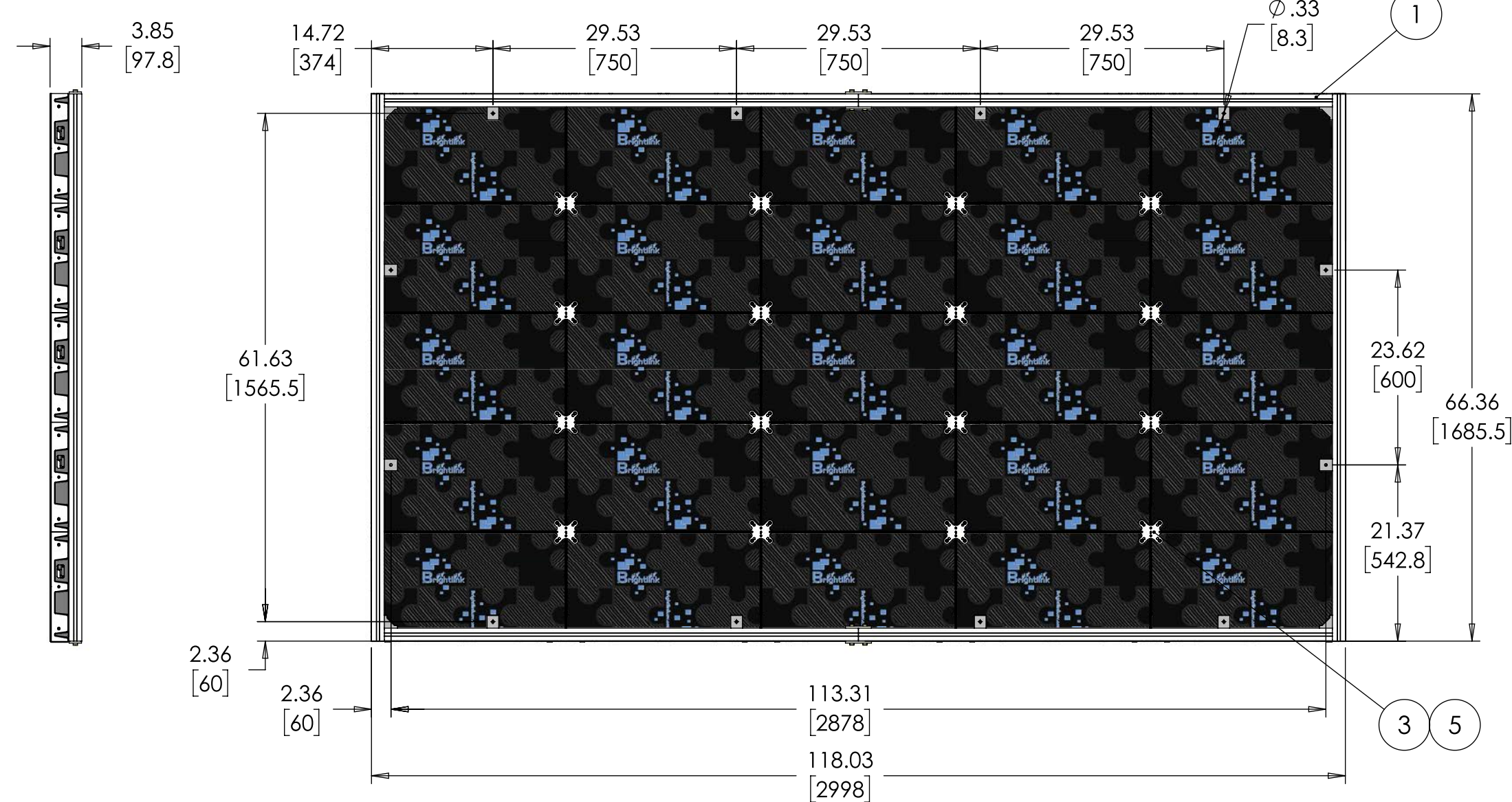
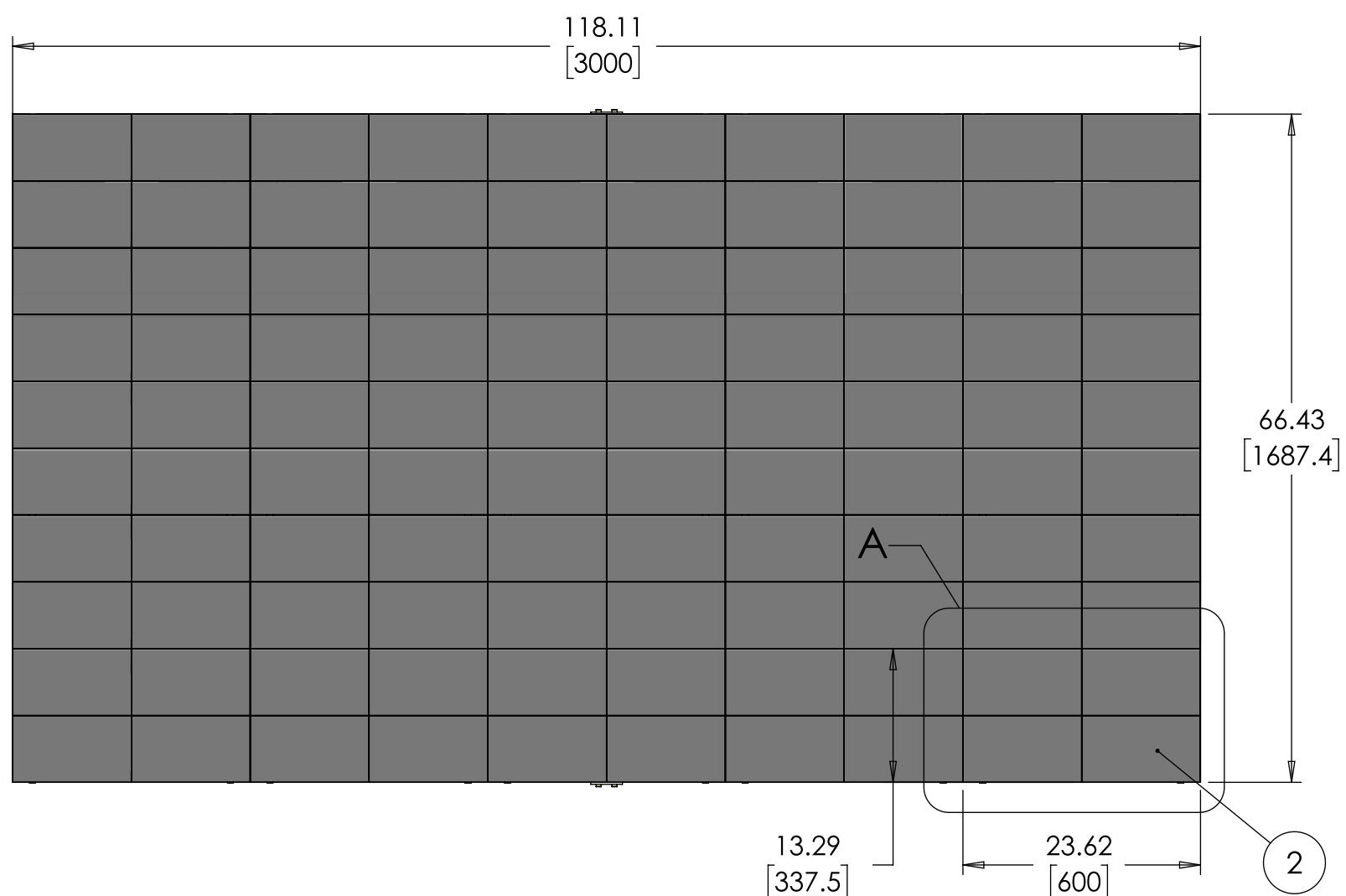


NOTES:  
1. Dimensions are in inches/[mm].

**PROPRIETARY AND CONFIDENTIAL**  
THIS DRAWING AND THE INFORMATION AND TECHNICAL DATA CONTAINED HEREIN ARE THE EXCLUSIVE PROPERTY OF Brightlink AV LTD. AND SHALL BE RETURNED TO THEM UPON REQUEST. THIS DRAWING CONTAINS PROPRIETARY AND CONFIDENTIAL INFORMATION AND IS NOT TO BE REPRODUCED IN WHOLE OR IN PART OR DISCLOSED TO ANYONE ELSE WITHOUT THE EXPRESS WRITTEN CONSENT OF Brightlink AV LTD.

ITEM NO.	Part NO	Description	Material	Weight	Q-ty
6		Screw/Nut	Fastening Kit M8 For T-Slotted Framing	0.04	28
5		Bracket	Bracket For T-Slotted Framing	0.09	12
4	4040I-8	Bracket	Corner Bracket For T-Slotted Framing	0.08	4
3	6041	Plate	Joint Plate For T-Slotted Framing	0.10	4
2	L=66.36"/1685.5mm	Profile	T-Slotted Profile OB4040B	6.27	2
1	L=57.44"/1459mm	Profile	T-Slotted Profile OB4040B	5.43	4

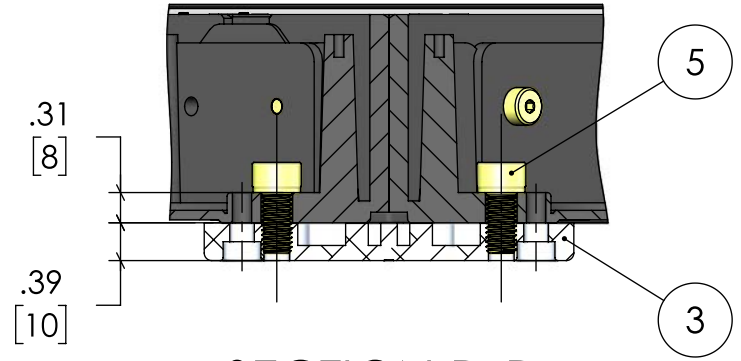
UNLESS OTHERWISE SPECIFIED: DIMENSIONS ARE IN INCHES TOLERANCES: FRACTIONAL: ±1/64 ANGULAR: MACH±.5° ONE PLACE DECIMAL: ±0.1" TWO PLACE DECIMAL: ±0.01" THREE PLACE DECIMAL: ±0.005" MACHINED SURFACE: 125 μin. INTERPRET GEOMETRIC TOLERANCING PER: ASME Y14.5M - 2009.		NAME	DATE	<p><b>LED Wall Mounting Frame 135"- 5x5</b></p>
DRAWN	SL	CHECKED	TE.	
ENG APPR.		MFG APPR.		
Q.A.	TE.	COMMENTS: 1. THIRD ANGLE PROJECTION		
NEXT ASSY	USED ON	FINISH	ASSEMBLY	<p>SIZE DWG. NO. REV</p> <p><b>C</b> BL-LED-135-5x5_01</p>
APPLICATION	DO NOT SCALE DRAWING			<p>SCALE: 1:15 WEIGHT: 37.28 SHEET 1 OF 1</p>



SECTION B-B  
SCALE 1 : 2

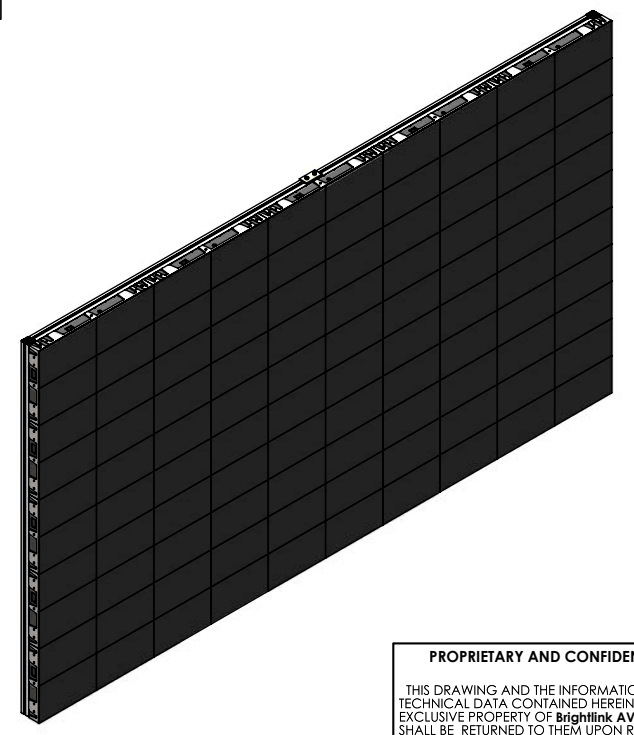
SECTION C-C  
SCALE 1 : 2

DETAIL A  
SCALE 1 : 4  
LED MODULES ARE NOT SHOWN



SECTION D-D  
SCALE 1 : 2

- NOTES:
- Dimensions are in inches/[mm].
  - Cabinet installation begins from the bottom row.



ITEM NO.	Part NO	Description	Material	Weight	Q-ty
6		Screw	Shoulder Screw	0.013	100
5		Screw	SHCS M8x16	0.028	64
4		Screw/Nut	Fastening Kit M8 For T-Slotted Framing	0.05	36
3		X-Bracket	AL	0.16	16
2	BL-CABINET-169	LED Cabinet 23.6"x13.3"	ASSEMBLY	12.12	25
1	BL-LED-135-5x5_01	LED Wall Mounting Frame 135"- 5x5	ASSEMBLY	37.28	1

**PROPRIETARY AND CONFIDENTIAL**  
THIS DRAWING AND THE INFORMATION AND TECHNICAL DATA CONTAINED HEREIN ARE THE EXCLUSIVE PROPERTY OF Brightlink AV LTD. AND SHALL BE RETURNED TO THEM UPON REQUEST. THIS DRAWING CONTAINS PROPRIETARY AND CONFIDENTIAL INFORMATION AND IS NOT TO BE REPRODUCED IN WHOLE OR IN PART OR DISCLOSED TO ANYONE ELSE WITHOUT THE EXPRESS WRITTEN CONSENT OF Brightlink AV LTD.

UNLESS OTHERWISE SPECIFIED:	NAME	DATE
DIMENSIONS ARE IN INCHES	SL	
TOLERANCES:	TE	
FRACTIONAL: ±1/64		
ANGULAR: MACH ±.5°		
ONE PLACE DECIMAL ±0.1"		
TWO PLACE DECIMAL ±0.01"		
THREE PLACE DECIMAL ±0.005"		
MACHINED SURFACE 125 µin.		
INTERPRET GEOMETRIC TOLERANCING PER ASME Y14.5M - 2009.		
MATERIAL	Q.A.	TE
ASSEMBLY		
FINISH		
DO NOT SCALE DRAWING		

DRAWN		TITLE:	
CHECKED	SL	LED Wall System 135"- 5x5	
ENG APPR.	TE	SIZE	DWG. NO.
MFG APPR.		C	BL-LED-135-5x5
Q.A.		SCALE: 1:16	WEIGHT: 348
TE		SHEET 1 OF 1	REV

4

3

2

1

D

D

C

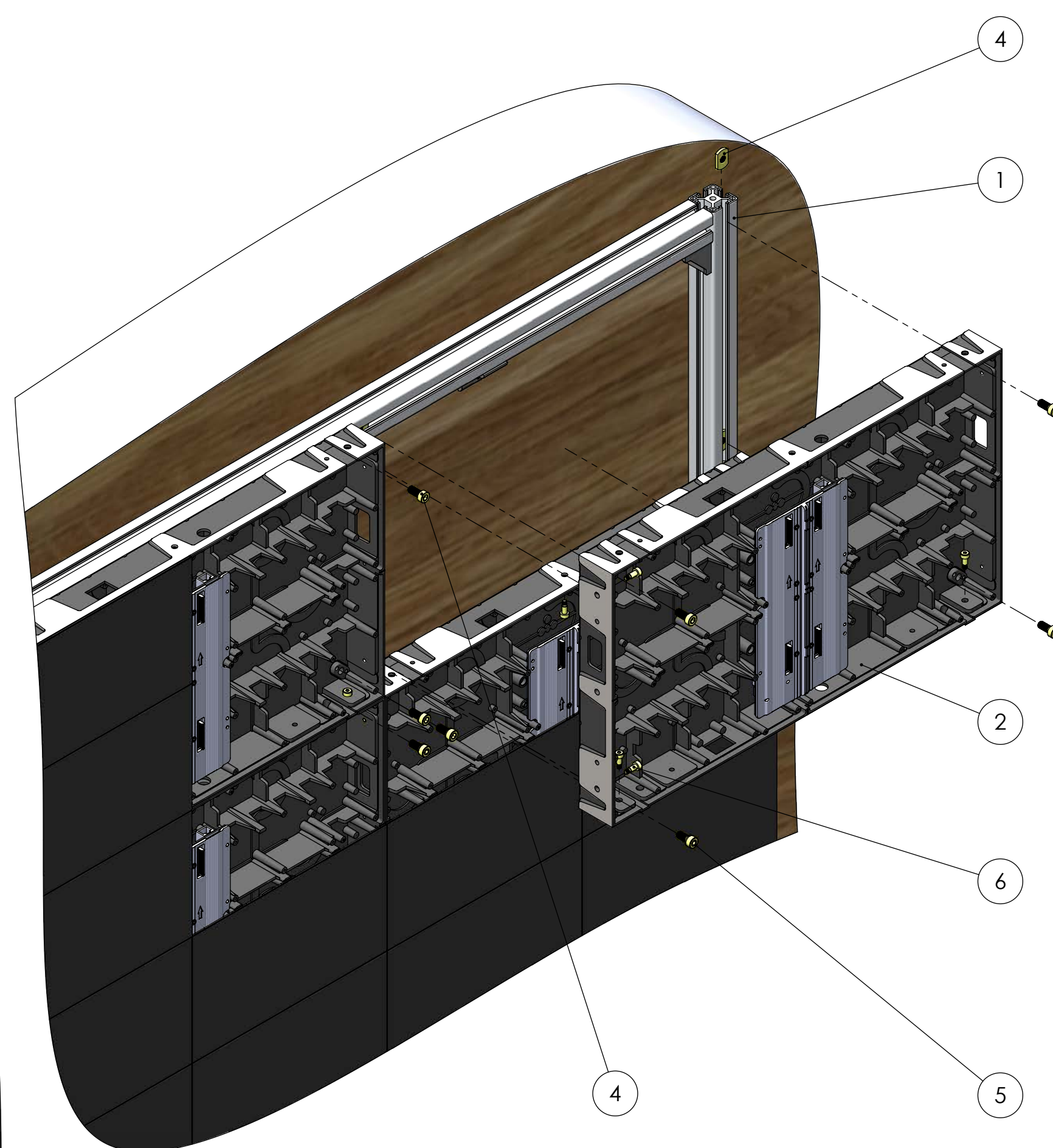
C

B


B

A

A



**PROPRIETARY AND CONFIDENTIAL**  
 THIS DRAWING AND THE INFORMATION AND TECHNICAL DATA CONTAINED HEREIN ARE THE EXCLUSIVE PROPERTY OF Brightlink AV LTD. AND SHALL BE RETURNED TO THEM UPON REQUEST. THIS DRAWING CONTAINS PROPRIETARY AND CONFIDENTIAL INFORMATION AND IS NOT TO BE REPRODUCED IN WHOLE OR IN PART OR DISCLOSED TO ANYONE ELSE WITHOUT THE EXPRESS WRITTEN CONSENT OF Brightlink AV LTD.

		UNLESS OTHERWISE SPECIFIED:		DRAWN		NAME		DATE	
		DIMENSIONS ARE IN INCHES		CHECKED		SL			
		TOLERANCES:		ENG APPR.		TE.			
		FRACTIONAL: ±1/64		MFG APPR.		TE.			
		ANGULAR: MACH ±.5°		Q.A.		TE.			
		ONE PLACE DECIMAL ±0.1"		COMMENTS:		1. THIRD ANGLE PROJECTION			
		TWO PLACE DECIMAL ±0.01"							
		THREE PLACE DECIMAL ±0.005"							
		MACHINED SURFACE 125 µm							
		INTERPRET GEOMETRIC TOLERANCING PER ASME Y14.5M - 2009.							
		MATERIAL							
		ASSEMBLY							
		FINISH							
NEXT ASSY		USED ON							
APPLICATION		DO NOT SCALE DRAWING							
				TITLE:		 <b>LED Wall System</b> <b>135"- 5x5</b> <b>Installation Layout</b>			
				SIZE		DWG. NO.		REV	
				C					
				SCALE:		WEIGHT:		SHEET 1 OF 1	

4

3

2

1