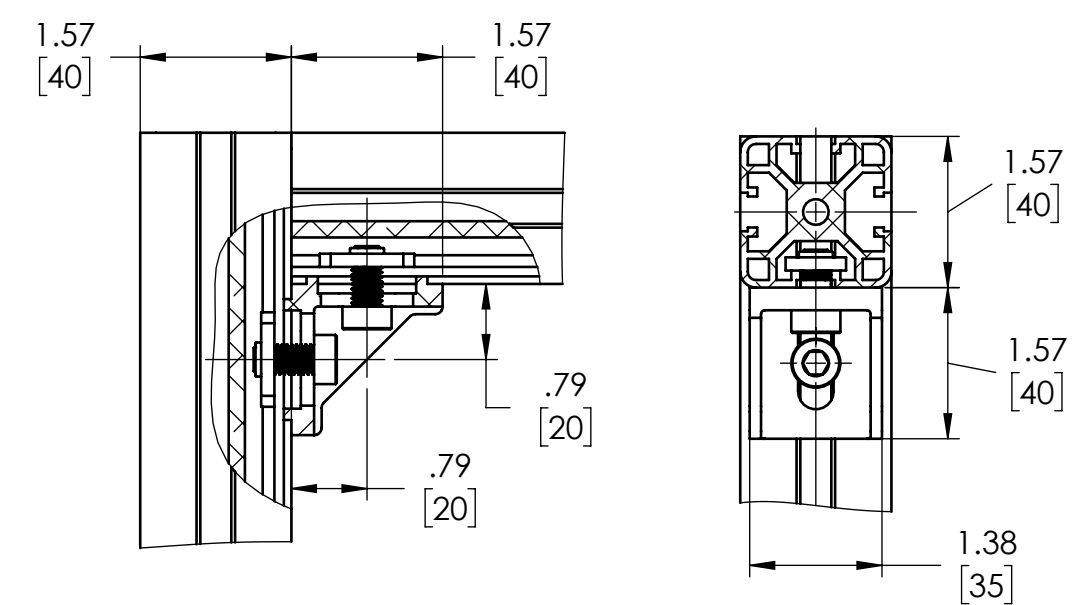


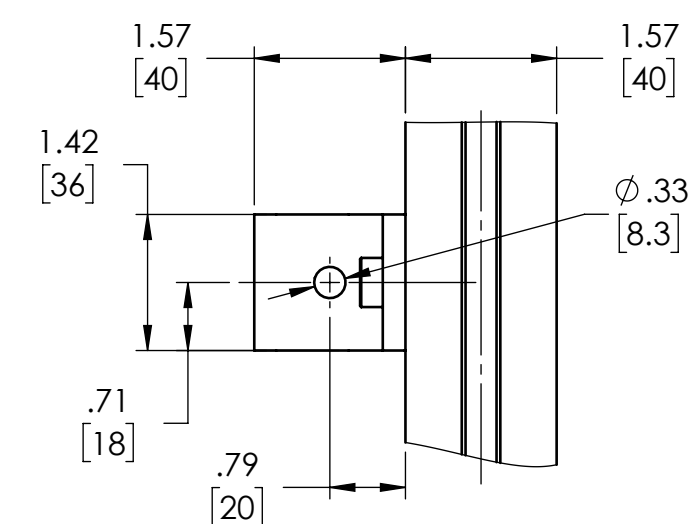
SECTION A-A

SECTION B-B

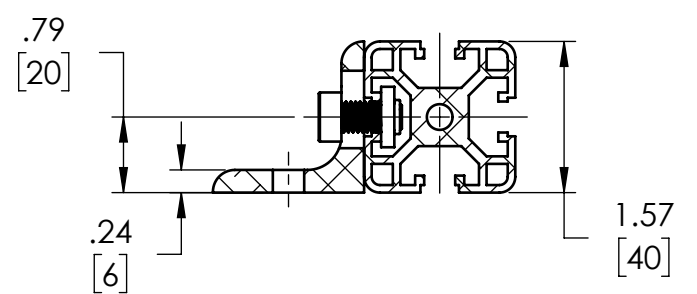


DETAIL C
SCALE 1 : 2

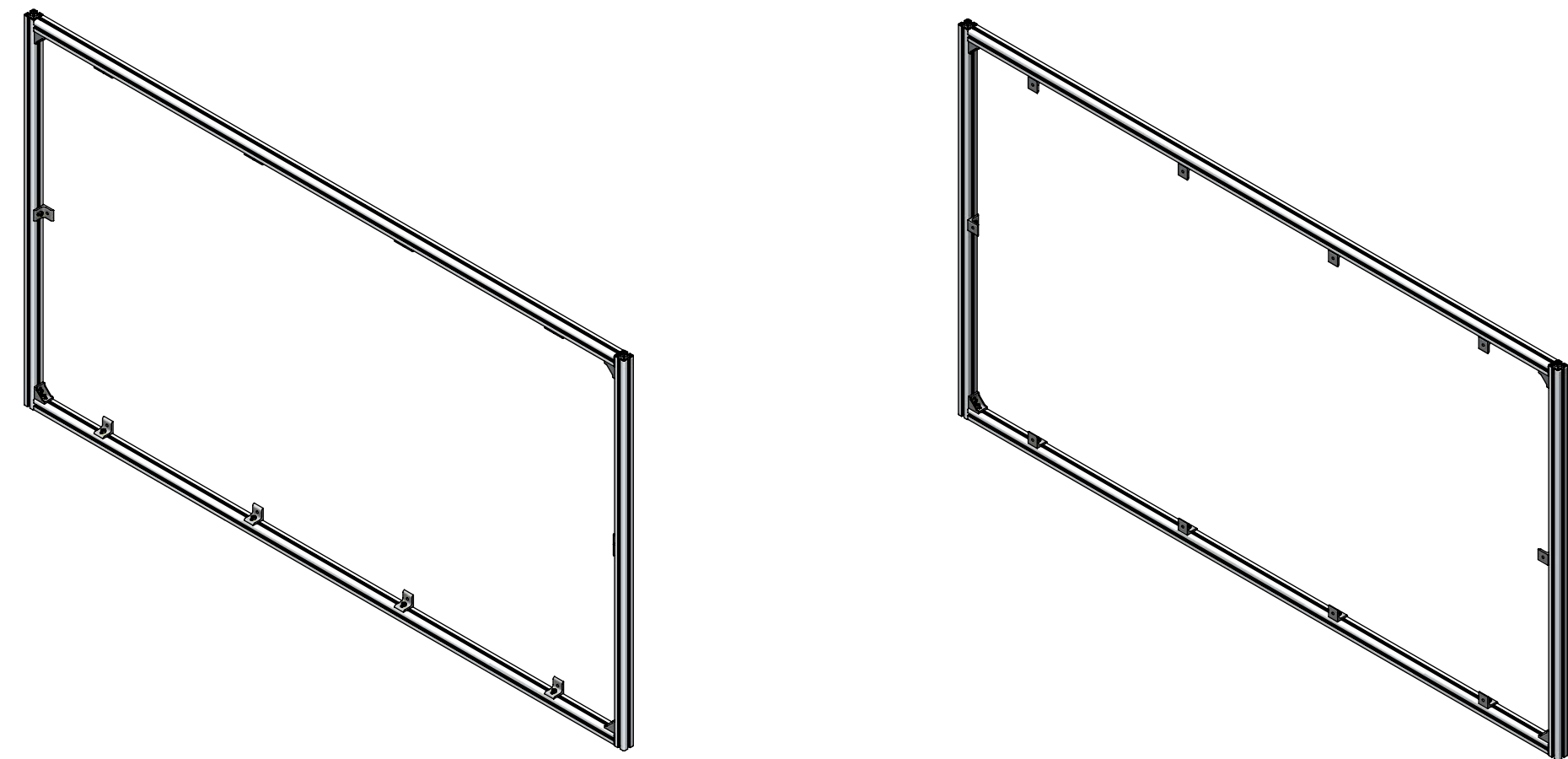
DETAIL D
SCALE 1 : 2



DETAIL E
SCALE 1 : 2



SECTION F-F
SCALE 1 : 2



5		Screw/Nut	Fastening Kit M8 For T-Slotted Framing	0.04	18
4		Bracket	Bracket For T-Slotted Framing	0.09	10
3	4040I-8	Bracket	Corner Bracket For T-Slotted Framing	0.08	4
2	L=53.07"/1348mm	Profile	T-Slotted Profile OB4040B	5.01	2
1	L=91.26"/2318mm	Profile	T-Slotted Profile OB4040B	8.62	2
ITEM NO.	Part NO	Description	Material	Weight	Q-ty

PROPRIETARY AND CONFIDENTIAL
THIS DRAWING AND THE INFORMATION AND TECHNICAL DATA CONTAINED HEREIN ARE THE EXCLUSIVE PROPERTY OF Brightlink AV LTD. AND SHALL BE RETURNED TO THEM UPON REQUEST. THIS DRAWING CONTAINS PROPRIETARY AND CONFIDENTIAL INFORMATION AND IS NOT TO BE REPRODUCED IN WHOLE OR IN PART OR DISCLOSED TO ANYONE ELSE WITHOUT THE EXPRESS WRITTEN CONSENT OF Brightlink AV LTD.

NOTES:
1. Dimensions are in inches/[mm].

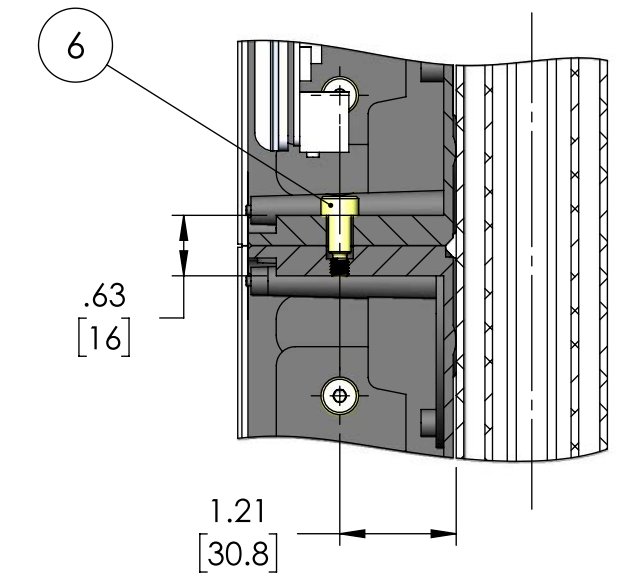
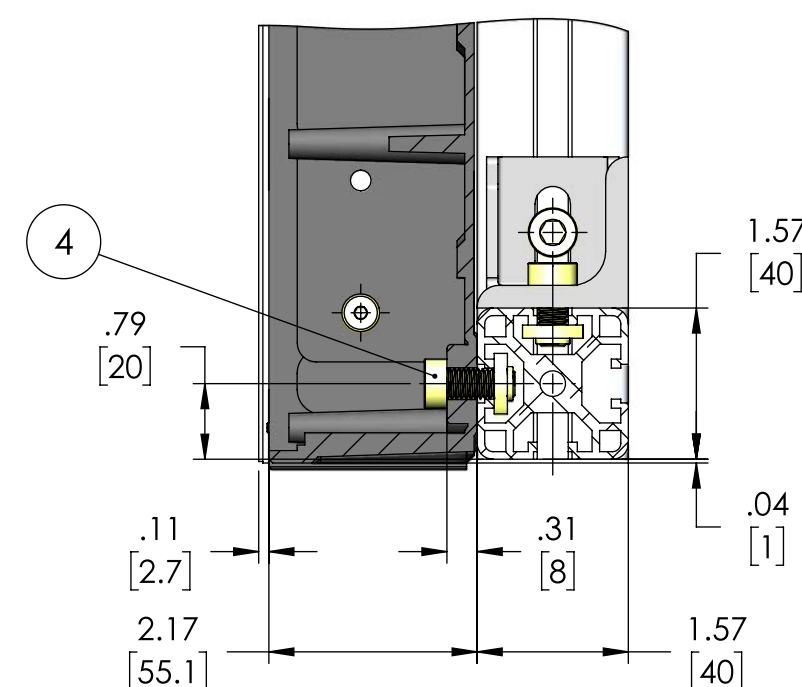
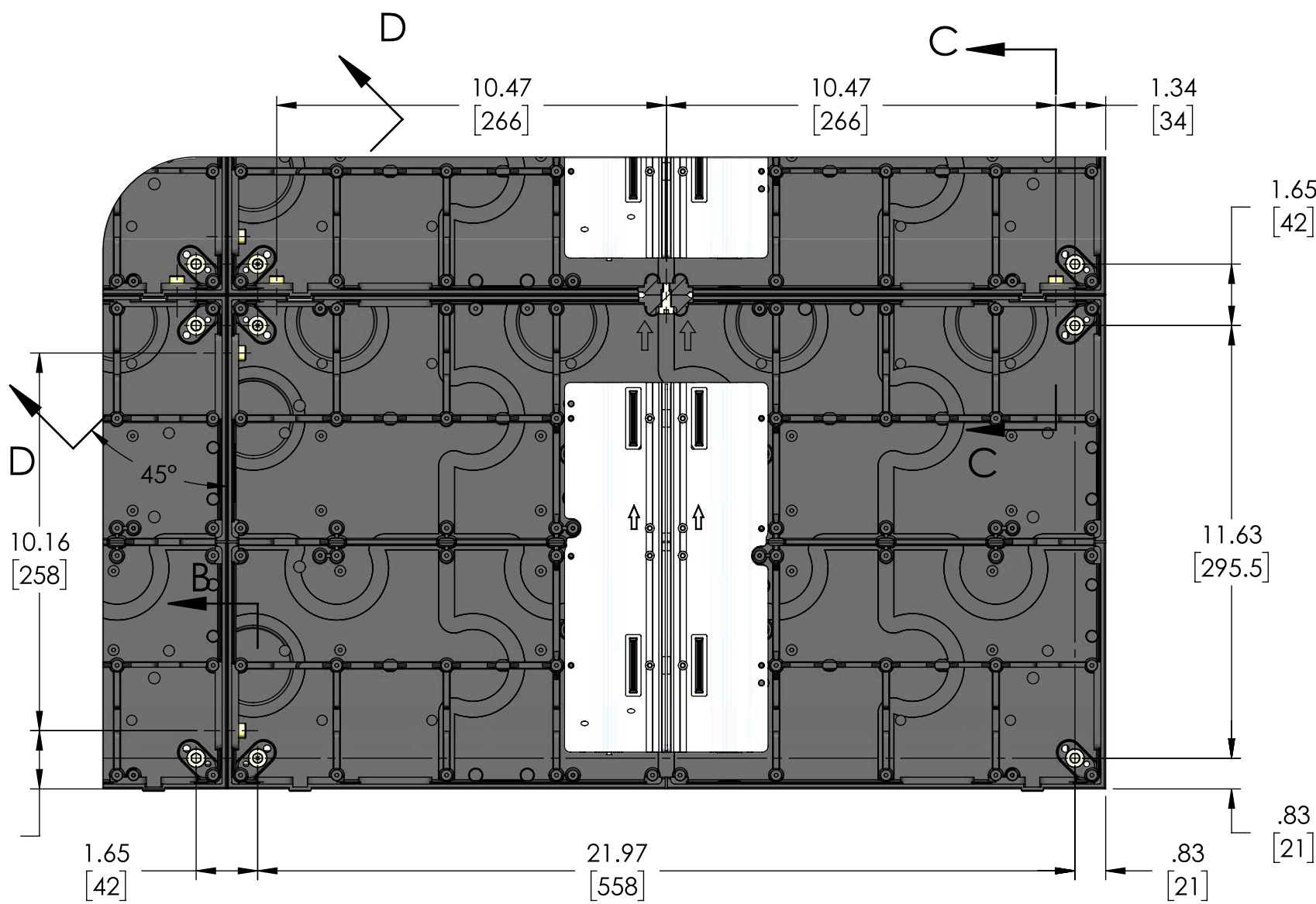
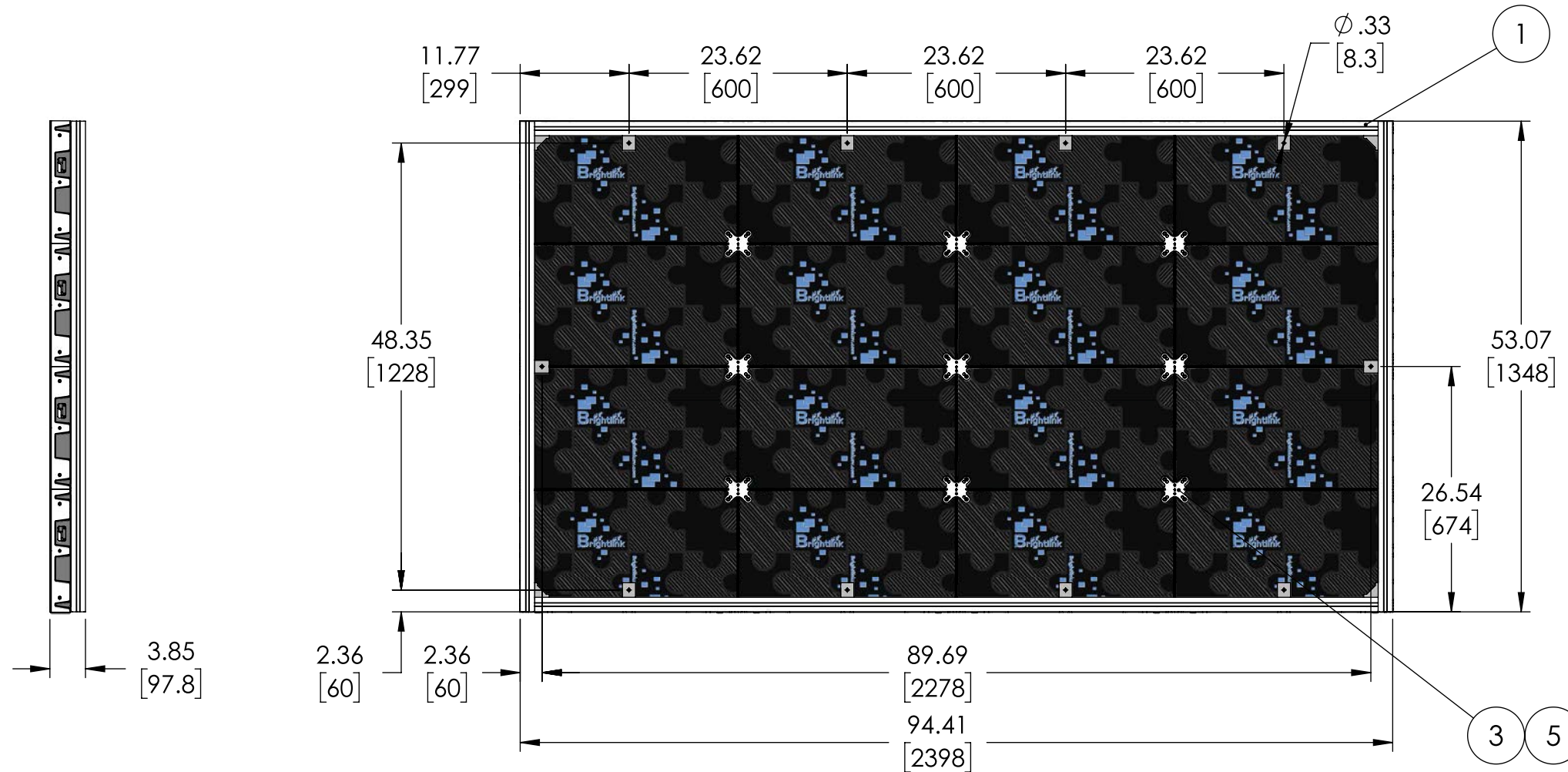
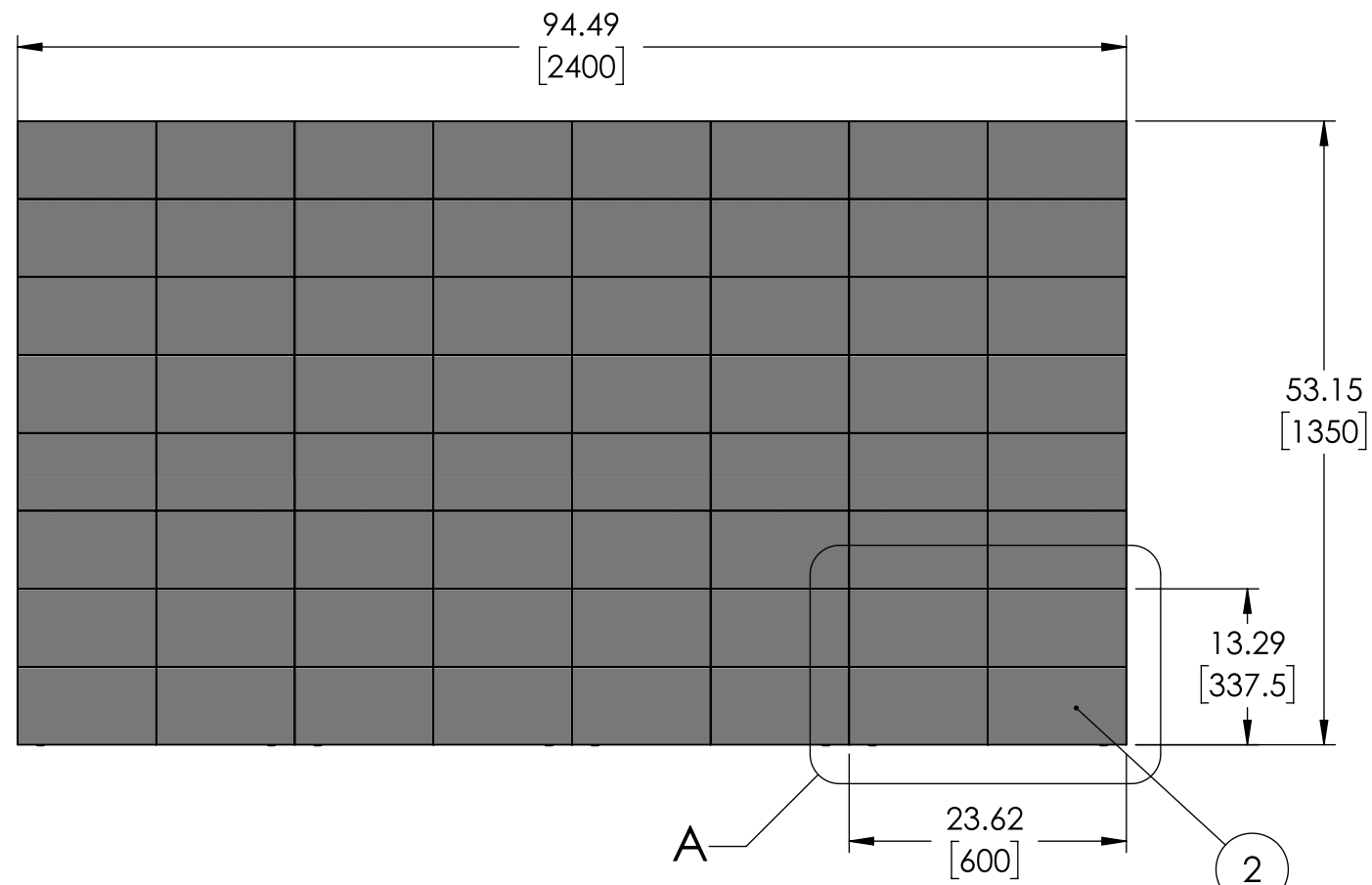
UNLESS OTHERWISE SPECIFIED: DIMENSIONS ARE IN INCHES TOLERANCES: FRACTIONAL: ±1/64 ANGULAR: MACH±.5° ONE PLACE DECIMAL: ±0.1" TWO PLACE DECIMAL: ±0.01" THREE PLACE DECIMAL: ±0.005" MACHINED SURFACE: 125 μin. INTERPRET GEOMETRIC TOLERANCING PER ASME Y14.5M - 2009.		NAME	DATE	
DRAWN	SL	TITLE: LED Wall Mounting Frame 108"- 4x4		
CHECKED	TE	SIZE DWG. NO. REV C BL-LED-108-4x4_01		
ENG APPR.		SCALE: 1:10 WEIGHT: 29.26 SHEET 1 OF 1		
MFG APPR.		Q.A.	TE	
MATERIAL		COMMENTS: 1. THIRD ANGLE PROJECTION		
FINISH				
NEXT ASSY	USED ON			
APPLICATION	DO NOT SCALE DRAWING			

4

3

2

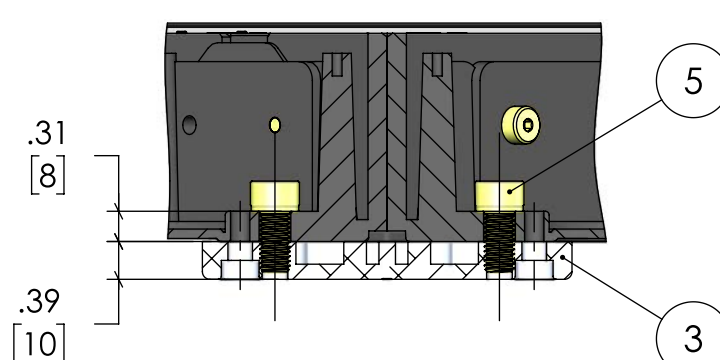
1



SECTION B-B
SCALE 1 : 2

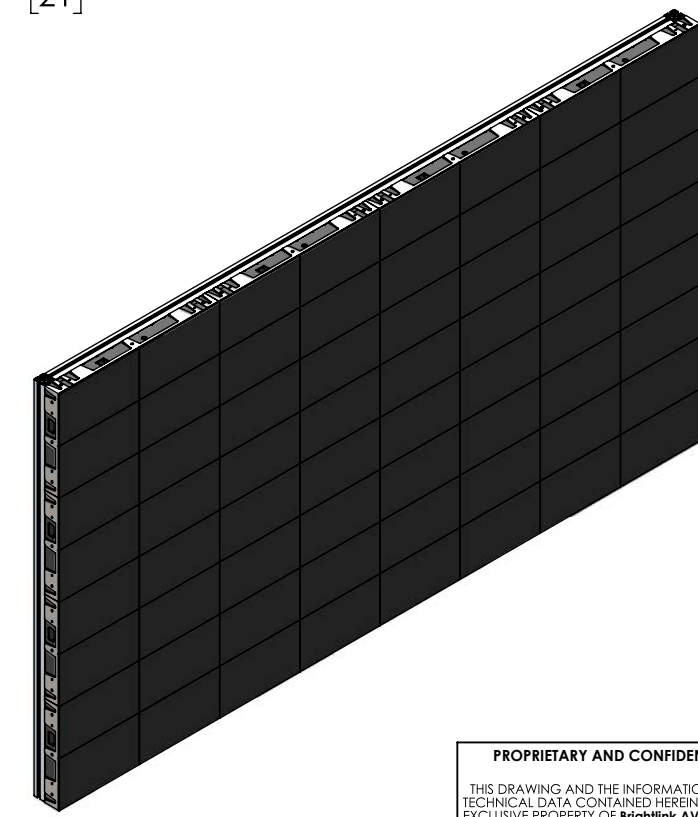
SECTION C-C
SCALE 1 : 2

DETAIL A
SCALE 1 : 4
LED MODULES ARE NOT SHOWN



SECTION D-D
SCALE 1 : 2

- NOTES:
1. Dimensions are in inches/[mm].
 2. Cabinet installation begins from the bottom row.



ITEM NO.	Part NO	Description	Material	Weight	Q-ty
6		Screw	Shoulder Screw	0.013	60
5		Screw	SHCS M8x16	0.028	36
4		Screw/Nut	Fastening Kit M8 For T-Slotted Framing	0.05	32
3		X-Bracket	AL	0.16	9
2	BL-CABINET-169	LED Cabinet 23.6"x13.3"	ASSEMBLY	12.12	16
1	BL-LED-108-4x4_01	LED Wall Mounting Frame 108"- 4x4	ASSEMBLY	29.26	1

PROPRIETARY AND CONFIDENTIAL

THIS DRAWING AND THE INFORMATION AND TECHNICAL DATA CONTAINED HEREIN ARE THE EXCLUSIVE PROPERTY OF Brightlink AV LTD. AND SHALL BE RETURNED TO THEM UPON REQUEST. THIS DRAWING CONTAINS PROPRIETARY AND CONFIDENTIAL INFORMATION AND IS NOT TO BE REPRODUCED IN WHOLE OR IN PART OR DISCLOSED TO ANYONE ELSE WITHOUT THE EXPRESS WRITTEN CONSENT OF Brightlink AV LTD.

UNLESS OTHERWISE SPECIFIED:		NAME	DATE
DIMENSIONS ARE IN INCHES		DRAWN	SL
TOLERANCES:		CHECKED	TE
FRACTIONAL: ±1/64		ENG APPR.	
ANGULAR: MACH±.5°		MFG APPR.	
ONE PLACE DECIMAL ±0.1"		Q.A.	TE
TWO PLACE DECIMAL ±0.01"		COMMENTS:	
THREE PLACE DECIMAL ±0.005"		1. THIRD ANGLE PROJECTION	
MACHINED SURFACE 125 µin.			
INTERPRET GEOMETRIC TOLERANCING PER ASME Y14.5M - 2009.			
MATERIAL			
ASSEMBLY			
FINISH			
NEXT ASSY			
USED ON			
APPLICATION			
		DO NOT SCALE DRAWING	

Brightlink

TITLE:
**LED Wall System
108"- 4x4**

SIZE DWG. NO. REV
C BL-LED-108-4x4

SCALE: 1:16 WEIGHT: 228 SHEET 1 OF 1

4

3

2

1

D

D

Wall

Anchor

C

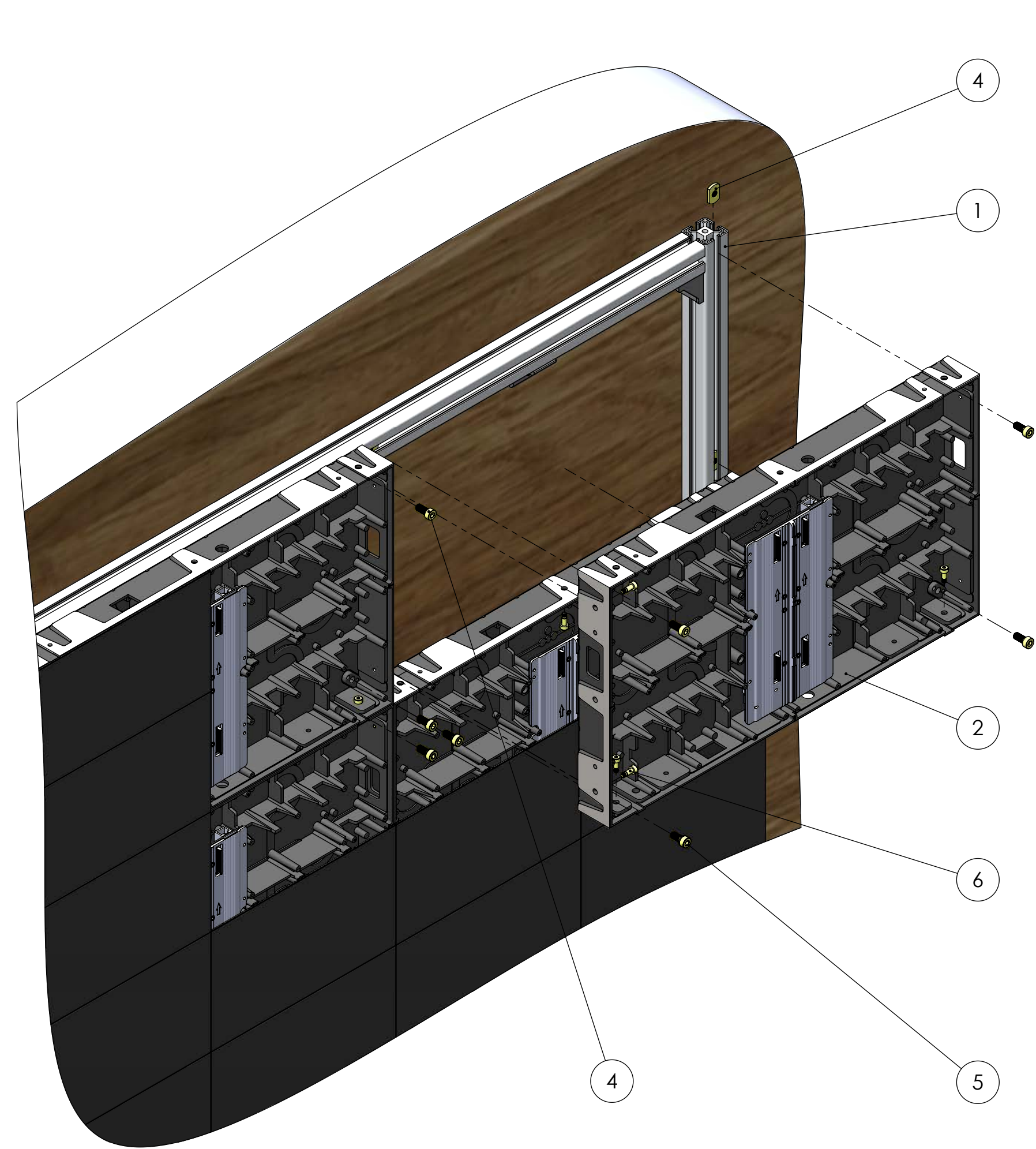
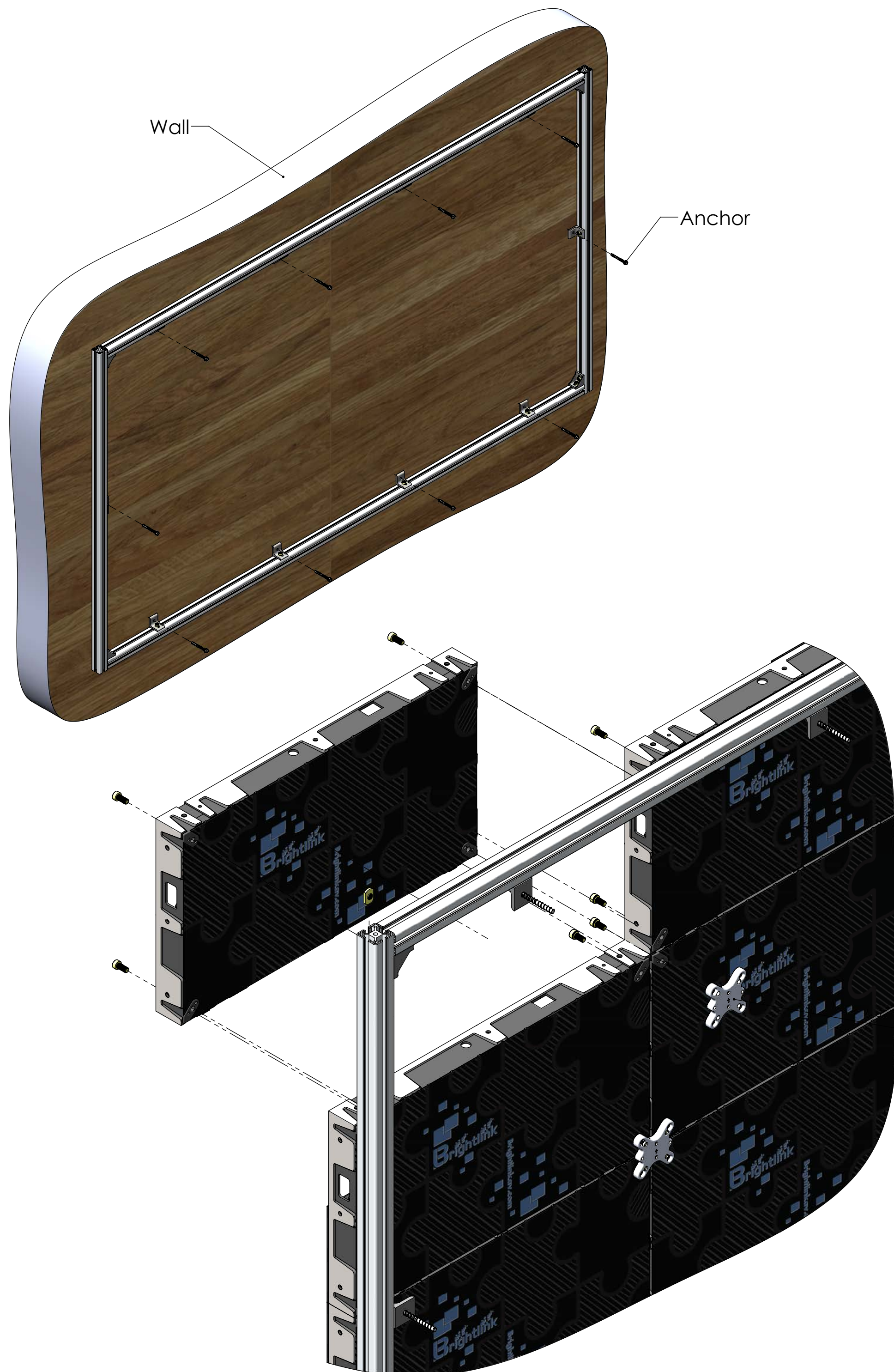
C

B

B

A

A



PROPRIETARY AND CONFIDENTIAL
 THIS DRAWING AND THE INFORMATION AND TECHNICAL DATA CONTAINED HEREIN ARE THE EXCLUSIVE PROPERTY OF Brightlink AV LTD. AND SHALL BE RETURNED TO THEM UPON REQUEST. THIS DRAWING CONTAINS PROPRIETARY AND CONFIDENTIAL INFORMATION AND IS NOT TO BE REPRODUCED IN WHOLE OR IN PART OR DISCLOSED TO ANYONE ELSE WITHOUT THE EXPRESS WRITTEN CONSENT OF Brightlink AV LTD.

		UNLESS OTHERWISE SPECIFIED:		DRAWN		NAME		DATE	
		DIMENSIONS ARE IN INCHES		SL					
		TOLERANCES:		CHECKED		TE.			
		FRACTIONAL: ±1/64		ENG APPR.					
		ANGULAR: MACH ±.5°		MFG APPR.					
		ONE PLACE DECIMAL ±0.1"		Q.A.		TE.			
		TWO PLACE DECIMAL ±0.01"		COMMENTS:		1. THIRD ANGLE PROJECTION			
		THREE PLACE DECIMAL ±0.005"							
		MACHINED SURFACE 125 µm							
		INTERPRET GEOMETRIC TOLERANCING PER ASME Y14.5M - 2009.							
		MATERIAL							
		ASSEMBLY							
		FINISH							
NEXT ASSY		USED ON							
APPLICATION		DO NOT SCALE DRAWING							
				TITLE:		Brightlink			
						LED Wall System			
						108"- 4x4			
						Installation Layout			
				SIZE		DWG. NO.		REV	
				C					
				SCALE:		WEIGHT:		SHEET 1 OF 1	

4

3

2

1