

Executive Collection VERUS SERIES



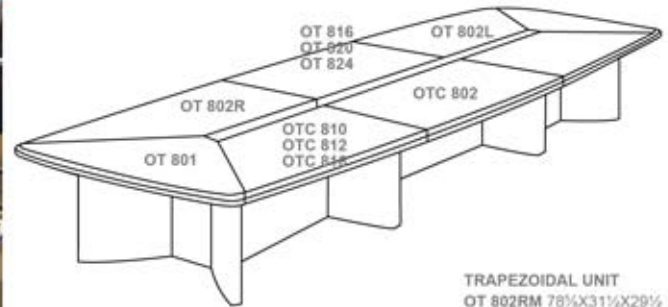
RECTANGULAR UNIT
 OT 816M 63X31½X29½
 OT 820M 78½X31½X29½
 OT 824M 94½X31½X29½



TRIANGULAR UNIT
 OT 801M 62½X34X29½



TRAPEZOIDAL UNIT
 OT 803M 94½X31½X29½



TRAPEZOIDAL UNIT
 OT 802RM 78½X31½X29½



ELECTRIC DUCT COVER
 OTC 802M/OT 802LR 50½X5½X½
 OTC 810M 39½X5½X½
 OTC 812M 47½X5½X½
 OTC 816M 63X5½X½

TRAPEZOIDAL UNIT
 OT 802LM 78½X31½X29½



VERUS embodies the classic boardroom style, with a contemporary edge. Its broad V-shaped legs and sharp design add to the modern look, while giving stability to the structure. Units of varying sizes and styles can be configured into a variety of compositions to conform to the layout of the space. A wire channel runs across the table for convenient access to power.

74
68½

OT800A

MODEL NO.	QTY.
OT801M	4

169½

OT 800B

MODEL NO.	QTY.
OT843M	1
OTC802M	2

232½

OT 800C

MODEL NO.	QTY.	MODEL NO.	QTY.
OT859M	1	OTC816M	1
OTC802M	2		

248

OT800D

MODEL NO.	QTY.	MODEL NO.	QTY.
OT801M	2	OTC820M	2
OTC802M	2	OTC802M	2
OT802RM	2	OTC810M	2

295½

OT800E

MODEL NO.	QTY.	MODEL NO.	QTY.
OT801M	2	OTC816M	4
OTC802M	2	OTC802M	2
OT802RM	2	OTC816M	4

105½
105½

OT800I

MODEL NO.	QTY.
OT803M	4

164½
164½

OT800F

MODEL NO.	QTY.	MODEL NO.	QTY.
OT802LM	4	OTC802RM	4

227½

OT800G

MODEL NO.	QTY.	MODEL NO.	QTY.
OT802LM	4	OTC816M	2
OT802RM	4		

290½

OT800H

MODEL NO.	QTY.	MODEL NO.	QTY.
OT859M	1	OTC816M	1
OTC802M	2		

248

OT800J

MODEL NO.	QTY.	MODEL NO.	QTY.
OT803M	2	OT802RM	2
OT802LM	2	OT820M	2

