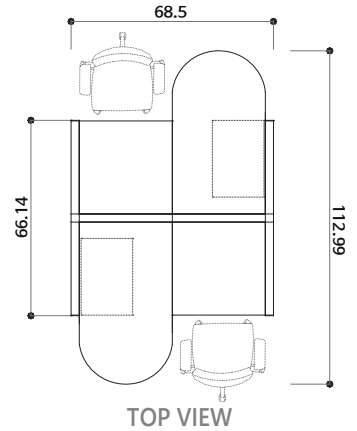


# SET MODEL# INSW08

Typical Workstation



## 3D Layout



\*The color code on the image:  
 Upper Fabric : D1-005  
 Lower Fabric : D1-014  
 Frame : silver  
 Desk Surface : MAH(Mahogany)  
 \*The color may differ from the actual color.

## Part List

KEY	ITEM#	DESCRIPTION	DESCRIPTION	QTY	UOM
<b>PARTITION SYSTEM</b>					
A	TT0812AC	PARTITION SYSTEM 70T	31.5" x 2.76" x 45.67"	6	EA
B	P12T	T POST BAR	2.76" x 2.76" x 44.88"	2	EA
C	E12	END BAR	0" x 0" x 44.88"	4	EA
<b>FURNITURE</b>					
D	INS0808M	DESK TOP	62.99" x 31.5" x 1.18"	2	EA
E	INSP1408M	PENINSULA DESK	55.12" x 31.5" x 1.18"	2	EA
F	BYB123M	Pencil/Box/File Pedestal	15.94" x 22.05" x 25.98"	2	EA
<b>BRACKETS</b>					
	H100L	HANGING BRACKET	0" x 0" x 0"	3	EA
	H100R	HANGING BRACKET	0" x 0" x 0"	3	EA
	H500L	HANGING BRACKET	0" x 0" x 0"	3	EA
	H500R	HANGING BRACKET	0" x 0" x 0"	3	EA
	H001	FLAT BRACKET	0" x 0" x 0"	2	EA

\*Assembly required

## Specification

- SPACE REQUIREMENT : 53.1 SQUARE FEET
- DIMENSION : 68.5" x 112.99"
- MATERIAL : Frame (Aluminum Steel: 2.76")  
 Post/Top/End Bar&Base(Aluminum Steel)  
 Work Surface (HPM : High Pressure Melamine)  
 Counter Top (HPM : High Pressure Melamine)
- WARRANTY : Limited Lifetime Warranty
- TERMS and CONDITION : Available
- DELIVERY TERM : FOB Origin

## HPM COLOR OPTION :



BHY Brown Cherry    MGY Mid Gray    MAP Maple    BCH Beech



MAH Mahogany    WAL Walnut    VWAL Dark Walnut

\*Partition color : Available upon request.



BIF New York Inc.

I GSA Schedule : GS-28F-0041T    I BPA : N00178-17-A-0008    I FEDERAL TAX ID : 13-4135154    I CAGE CODE : 3A0J5    I D&B : 05-530-1951  
 I Business Size : Small,SBA,SDB,MBE    I T : 201-933-7777    I E : info@bifnewyork.com    I Website : www.bifnewyork.com  
 I Unique Entity ID : JW6HL7DTFX75    I F : 201-933-6261

