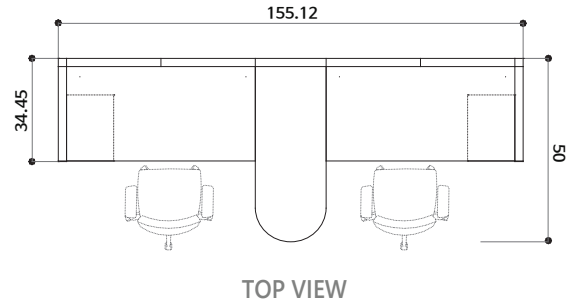


SET MODEL# INSW506

Typical Workstation



3D Layout



*The color code on the image:
 Upper Fabric : D1-005
 Lower Fabric : D1-014
 Frame : silver
 Desk Surface : MAH(Mahogany)
 *The color may differ from the actual color.

Part List

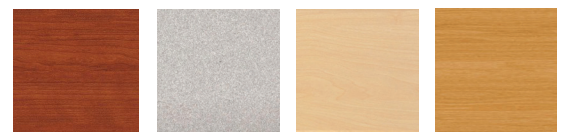
KEY	ITEM#	DESCRIPTION	DESCRIPTION	QTY	UOM
PARTITION SYSTEM					
A	TT0612AC	PARTITION SYSTEM 70T	23.62" x 2.76" x 45.67"	1	EA
B	TT0812AC	PARTITION SYSTEM 70T	31.5" x 2.76" x 45.67"	6	EA
C	P12L	L POST BAR	2.76" x 2.76" x 44.88"	2	EA
D	E12	END BAR	0" x 0" x 44.88"	2	EA
FURNITURE					
E	INS1608M	DESK TOP	62.99" x 31.5" x 1.18"	2	EA
F	BYD1606PM	PENINSULA DESK	62.99" x 23.62" x 29.13"	1	EA
G	BYB123M	Pencil/Box/File Pedestal	15.94" x 22.05" x 25.98"	2	EA
BRACKETS					
	H100L	HANGING BRACKET	0" x 0" x 0"	2	EA
	H100R	HANGING BRACKET	0" x 0" x 0"	2	EA
	H200L	HANGING BRACKET	0" x 0" x 0"	2	EA
	H200R	HANGING BRACKET	0" x 0" x 0"	2	EA
	H001	FLAT BRACKET	0" x 0" x 0"	4	EA

*Assembly required

Specification

- SPACE REQUIREMENT : 63 SQUARE FEET
- DIMENSION : 155.12" x 50"
- MATERIAL : Frame (Aluminum Steel: 2.76")
 Post/Top/End Bar&Base(Aluminum Steel)
 Work Surface (HPM : High Pressure Melamine)
 Counter Top (HPM : High Pressure Melamine)
- WARRANTY : Limited Lifetime Warranty
- TERMS and CONDITION : Available
- DELIVERY TERM : FOB Origin

HPM COLOR OPTION :



BHY Brown Cherry MGY Mid Gray MAP Maple BCH Beech



MAH Mahogany WAL Walnut VWAL Dark Walnut

*Partition color : Available upon request.



BIF New York Inc.

| GSA Schedule : GS-28F-0041T | BPA : N00178-17-A-0008 | FEDERAL TAX ID : 13-4135154 | CAGE CODE : 3A0J5 | D&B : 05-530-1951
 | Business Size : Small,SBA,SDB,MBE | IT : 201-933-7777 | E : info@bifnewyork.com | Website : www.bifnewyork.com
 | Unique Entity ID : JW6HL7DTFX75 | F : 201-933-6261

